

MAXIM® SYSTEM OPERATORS

#23058.92 – Backplate (required for Rear mount options)

#21306 – Protective red plastic spline cap.

MAXIM® SINGLE ARM OPERATOR

Drawings begin on pg. 25x.



- Created for casements which are 20"-32" wide up to 72" high and with a 73lb. sash weight.
- Fits in all profiles currently using the EntryGard® or Encore® Single Arm operators.

ORDERING INFORMATION:

1. Specify "standard" or "coastal" package.

2. Order item number:

#52.01 or

#52.03 (low profile)

NOTE: Rear-mount version available upon request.

3. Specify finish number.

4. Specify right- or left-hand (determined by the side the hinge is on when viewed from the outside).

5. Select mounting hardware (sold separately).

#11576.XX – Track & Slider, or

#30175 – Low profile track

Optional Accessories:

#11329.XX Folding Handle

#41211.XX LH Nesting Cover

#41212.XX RH Nesting Cover

#31882 – Gasket

#31883 – Gasket Applicator

#21306 – Protective red plastic spline cap.

MAXIM® AWNING OPERATORS



Drawings begin on pg. 25see Maxim Narrow Awning Operator Shown

- Allows the manufacturer to offer the same look throughout the home on both casements and awnings.
- Will provide for maximum opening combined with wide "pull-in" connection to sash.
- Operates frame widths from 20" to 60", reducing inventory requirements for operator sizes.
- New narrow gauge version (#51.01) fits smaller cavity profiles and smaller window sizes.
- "Quick disconnect" feature on operator arms does not require tools.

ORDERING INFORMATION:

1. Specify "standard" or "coastal" package.

2. Order Operator item number:

#51.00 or

#51.02 (rear-mount) or

#51.01 (Narrow Awning Operator)

3. Specify finish number.

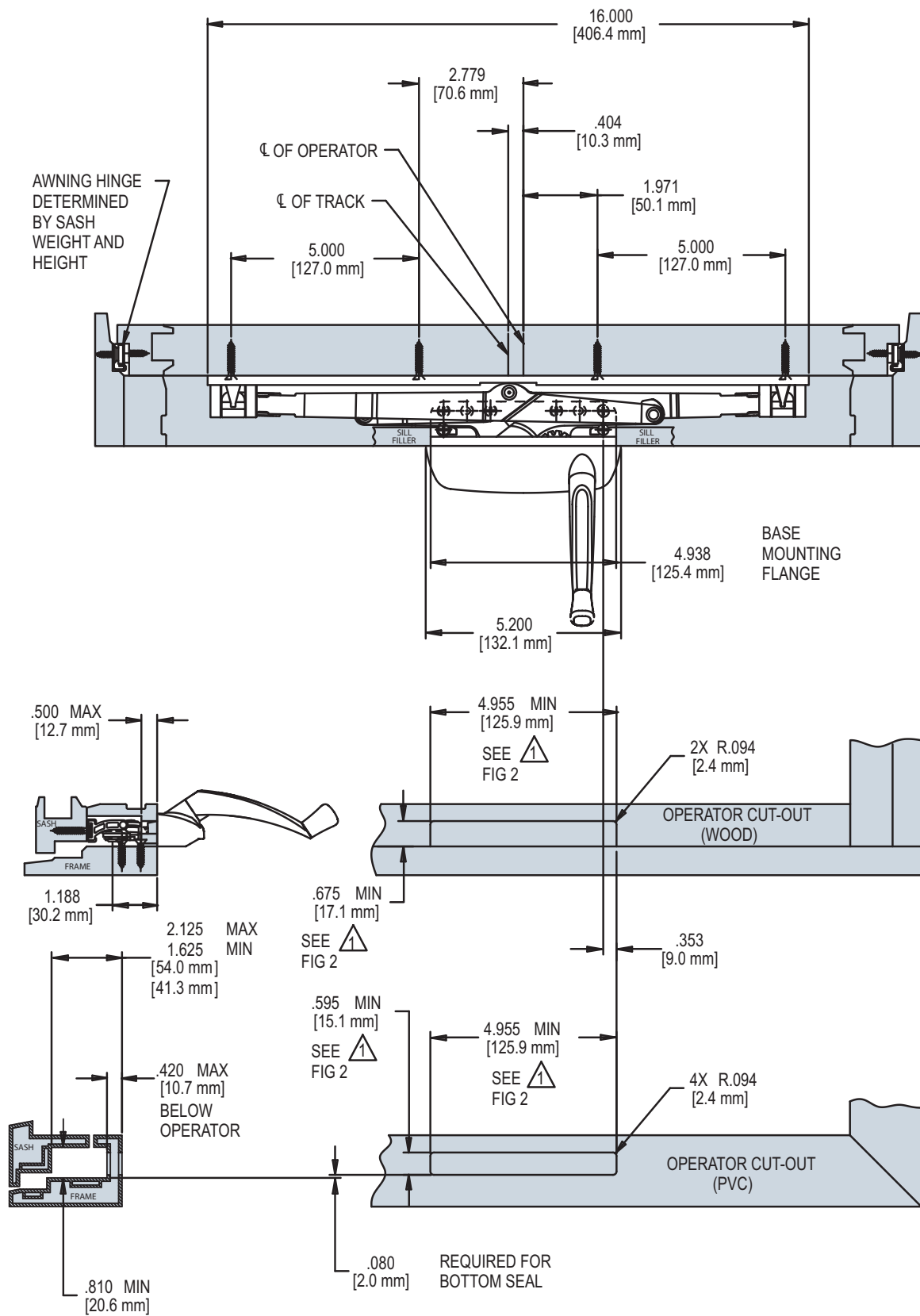
4. Select mounting hardware (sold separately).

#11577.XX – Track and Pivot Slides

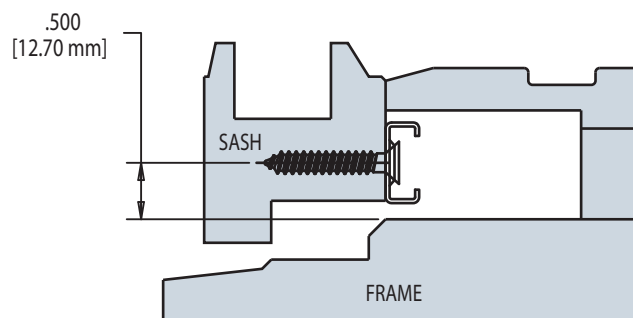
Optional Accessories:

MAXIM® AWNING OPERATOR OPERATORS (SILL MOUNT)

FIG. 1 APPLICATION OF STANDARD MAXIM AWNING OPERATOR
(SILL MOUNT VERSION)



**FIG. 2 APPLICATION OF STANDARD MAXIM AWNING OPERATOR (CONTINUED)
(SILL MOUNT VERSION)**



**11577.92
TRACK PLACEMENT**

HARDWARE SHOWN, SEE FIG.1	
PART NUMBER	DESCRIPTION
51.00.XX.011	AWNING OPERATOR
11577.92	TRACK ASSEMBLY
13.XX.XX.XXX	HINGE
11454.XX	CONTOUR HANDLE
31882	GASKET (PVC)

NOTE:

1. HOLD THIS DIMENSION AS CLOSE TO THE MINIMUM AS MANUFACTURING TOLERANCES ALLOW. A CLOSE FITTING CUT-OUT HELPS TO STABILIZE THE OPERATOR AGAINST ROCKING

2. GASKET 31882 IS REQUIRED ON PVC AND METAL PROFILES FOR AN IMPROVED AIR AND WATER SEAL

MAXIM® AWNING OPERATORS (SILL MOUNT)

FIG. 3 STANDARD MAXIM AWNING OPERATOR (SILL MOUNT VERSION)

STAINLESS STEEL VERSION AVAILABLE

51.00.XX.011 SHOWN

51.02 REAR MOUNT VERSION ALSO AVAILABLE

RECOMMENDED SCREWS:

(QTY 6)(PN 19240.XX)#8 X 1 FLAT HEAD SHEET METAL SCREW (SEE TRUTH TIPS FOR MORE INFORMATION)

(QTY 2)REAR MOUNT:#8-32 X 3/8 PAN HEAD MACHINE SCREW PN 19545.XX

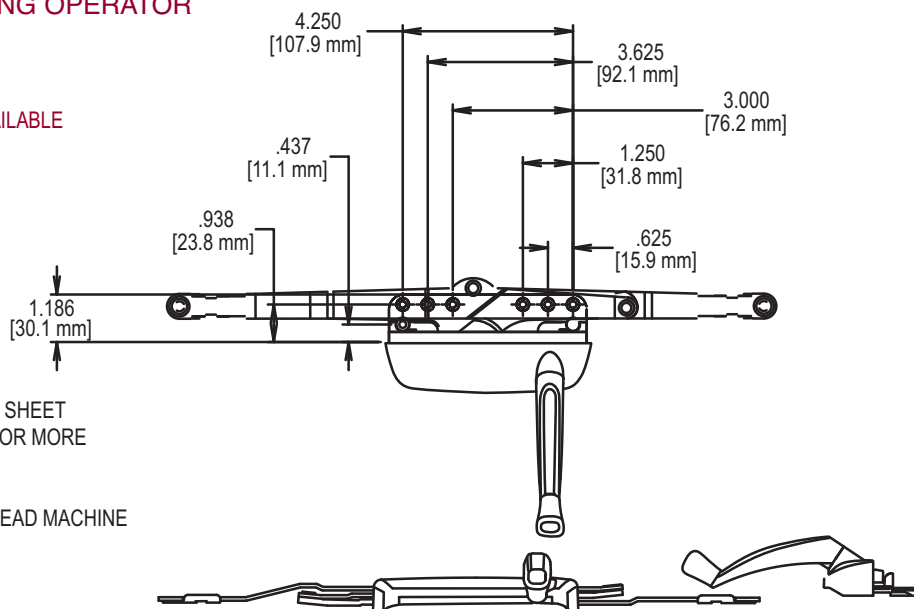


FIG. 4 MAXIM COVER 41211.XX /HANDLE 11329.XX (LH) (SHOWN)

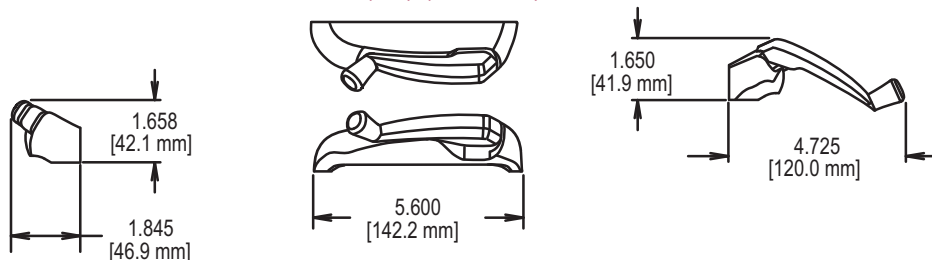


FIG. 5 BACK PLATE 23058.92

FOR USE WITH 51.02 REAR MOUNT VERSION ONLY

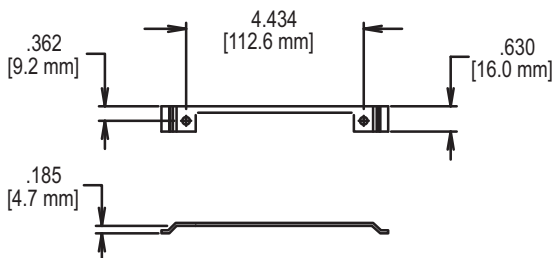
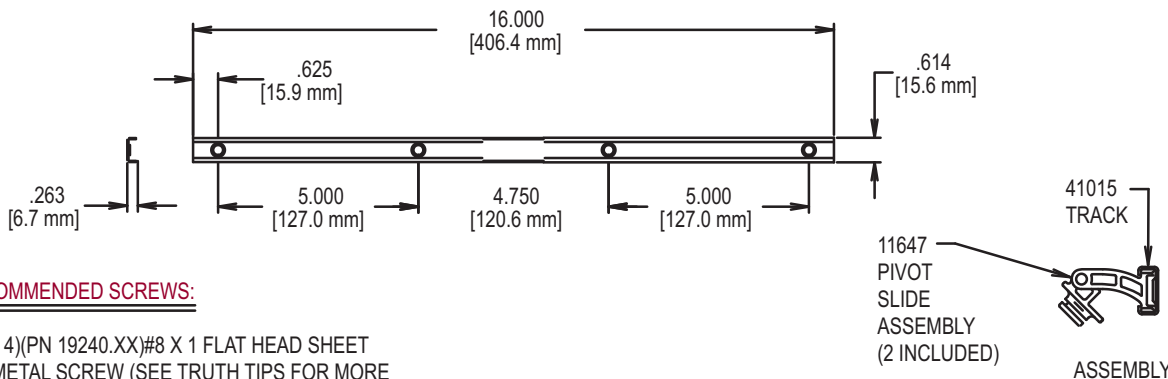


FIG. 6 MAXIM AWNING TRACK & SLIDER ASSEMBLY 11577.92

STAINLESS STEEL VERSION AVAILABLE



RECOMMENDED SCREWS:

(QTY 4)(PN 19240.XX)#8 X 1 FLAT HEAD SHEET METAL SCREW (SEE TRUTH TIPS FOR MORE INFORMATION)