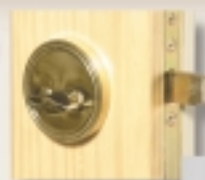


patio door hardware *catalog*



handlesets / rollers / multi-point locking systems



patio door hardware *catalog*



handlesets / rollers / multi-point locking systems



Patio Door Hardware Catalog

TABLE OF CONTENTS

Rollers for Sliding Doors

<u>Page</u>	<u>Product</u>
1.....	Side Adjust Tandem Rollers
2.....	End Adjust Tandem Rollers
3.....	1910 Single Wheel Rollers
4.....	Screen Door Rollers

Handles & Locksets for Sliding Patio Doors – Mortise Lock Applications

<u>Page</u>	<u>Product</u>
5.....	40.62 Series Crescent® Handle
6.....	2995 Series Handle
7.....	2889 Series Handle
8.....	2994 Series Handle
9.....	2992 Series Handle
10.....	2760 & 2761 Series Handle
11.....	2235 & 2237 Series Handle
12.....	2750 Series Handle
13.....	Outside Pulls
14.....	Mortise Locks & Handleset Accessories

Handles & Locksets for Sliding Patio Doors – Surface Mount Applications

<u>Page</u>	<u>Product</u>
15.....	40.63/64 Series Crescent® Handle
16.....	2041 Series Handle

Miscellaneous Patio Door Hardware

<u>Page</u>	<u>Product</u>
17.....	Secondary Patio Door Limiter
18.....	2999 Series Secondary Mortise Lock
19.....	Jamb Jacks (frame adjusters)

Swinging Patio Door Hardware

<u>Page</u>	<u>Product</u>
20.....	Maxim MP-Plus® Multi-Point Hardware Locking System

Special Features

<u>Page</u>	<u>Product</u>
21.....	Hardware Finishes
22.....	Tech Note - Care of Solid Brass Hardware
23.....	Tech Note - Americans with Disabilities Act (ADA)
24.....	Tech Note - Corrosion
25.....	Tech Note - Care of Truth Hardware Products
26.....	Tech Note - Mounting Screw Compatibility





Designed for easy installation and trouble-free service, these high quality radial ball bearing-equipped rollers encompass Truth Hardware's unique advantage in that we manufacture our own ball bearings. This allows Truth complete control over all aspects of design and production of our roller assemblies. While others may use soft stamped metal parts in the production of their wheels, Truth's bearing raceways are machined from solid steel bar stock on the most modern automatic machines. These rollers are then heat treated for wear resistance and plated for corrosion resistance. This method provides the longest lasting true running rollers capable of carrying the heaviest loads.

- You can dependably support up to a 500 lb. door with two roller assemblies per door (nylon wheels rated up to a 250 lb. door). See Product Comparison Chart
- Truth's Side Adjust Tandem Rollers are equipped with full race, permanently lubricated ball bearings that are labyrinth-shielded to resist contamination by dust and moisture.
- The wheels are offered in various diameters and with a choice of steel, stainless steel, or nylon rolling surfaces.
- Truth's standard groove radius is .125 (+/- .010/.000).

Please refer to individual charts for dimensional details and adjustment ranges.

INDUSTRY TESTED

Steel roller components are zinc plated to ASTM-B-633 Type 2 specifications. All roller assemblies are designed to meet AAMA 906.3-96 and CAWM standards for corrosion resistance, load and life cycle specs. See Product Comparison Chart.

WARRANTY: Protected under the terms of the Truth Warranty for Window & Door Manufacturers & Authorized Distributors. For a copy of this warranty, please contact Truth.

MATERIAL: Heavy duty case carrier and support brackets are cold-rolled steel or stainless steel. Ball bearing wheels in steel, stainless steel or steel with nylon tires. High-pressure die-



cast zinc gear mechanism.

FINISH: All steel parts are zinc plated for corrosion resistance.

MOUNTING: Recess mounted into a variety of different door styles. Contact Truth for special information if your application does not provide side and top support for the roller assembly.

ORDERING INFORMATION AND OPTIONS:

1. Choose style of rollers desired. See tables in attached drawings for special information on adjustment features, mounting tab designs, and wheel materials offered.
2. If your application requires a modification to one of our standard rollers, or a complete new design, our staff and facilities are equipped to promptly handle your needs. Please contact Truth Hardware for assistance.

- To establish the initial specification for a roller application we need the following information:
- Wheel diameter: 1", 1-1/8", 1-1/4", 1-1/2".
- Housing: Steel, or stainless steel.
- Radius of the track crown.
- Internal width and internal height of the bottom rail.
- Maximum load to which rollers will be subjected.

Note: Truth can provide various wheel types (steel, stainless steel, nylon) to suit your application and/or environmental conditions. Please contact us

so we can help you select the style that will meet your needs.

RECOMMENDED SCREWS:

Types of screws required determined by material of profile used. Refer to drawings for complete information on screw type and quantity needed (sold separately).

TRUTH TIPS:

1. When a sliding Patio Door system has an aluminum track, a patio door roller with a nylon wheel must be used. If a steel wheel is used, gauling will occur, resulting in short track life.
2. It is important to match mounting screw material to the material being fastened. Consult Truth Tech Notes for more information.
3. Truth does not recommend adjusting the patio door rollers with power screwdrivers as it is possible to apply too much torque and damage the adjustment mechanism.

INCLUDE TRUTH SPECS ON YOUR NEXT PATIO DOOR PROJECT

Ball bearing roller assemblies must be provided which allow easy height adjustment and installation. Two steel wheeled roller assemblies with heat-treated raceways to support up to a 500 lb. door (250 lb. with nylon wheels). Sliding door rollers shall be Side Adjust Tandem Door Rollers as manufactured by Truth Hardware.

**SIDE ADJUST
TANDEM ROLLERS**

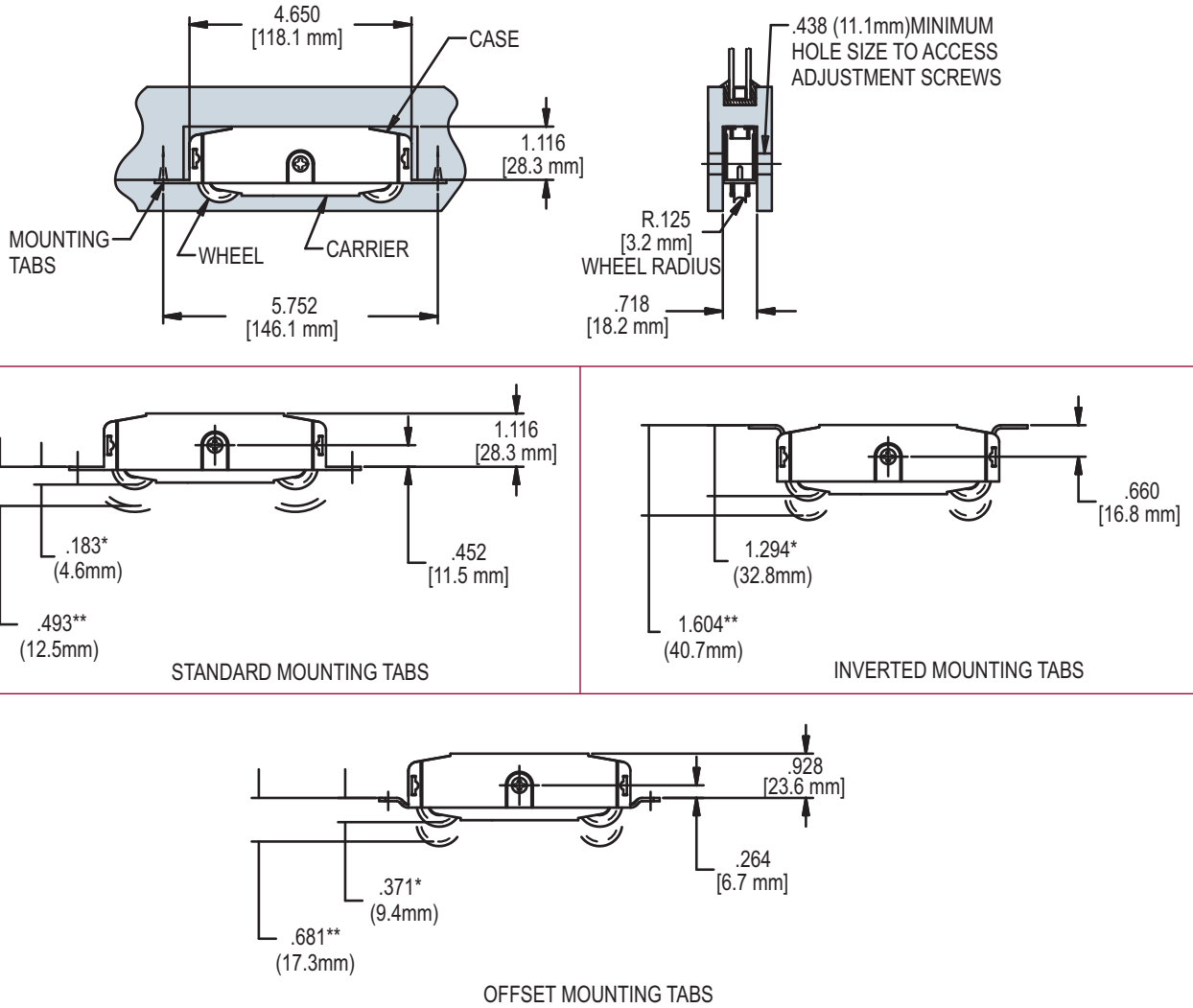
Product Comparison Chart

Roller Assembly No.	Roller Dia.	AAMA Certified**	Max. Door Wt. *	Ease Of Adjustment	See Figure Number
39.10	1.25 (31.8 mm)	Yes	400 (182 Kg.)	Best	1
39.11	1.25 (31.8 mm)	Yes	250 (114 Kg.)	Best	1
39.13	1.25 (31.8 mm)	Yes	400 (182 Kg.)	Best	1
39.14	1.25 (31.8 mm)	Yes	400 (182 Kg.)	Best	1
39.20	1.25 (31.8 mm)	Yes	400 (182 Kg.)	Best	1
39.22	1.25 (31.8 mm)	Yes	250 (114 Kg.)	Best	1
39.23	1.25 (31.8 mm)	Yes	250 (114 Kg.)	Best	1
39.24	1.25 (31.8 mm)	Yes	400 (182 Kg.)	Best	1
38.10.00.052	1.50 (38.1 mm)	Yes	450 (205 Kg.)	Better	3
38.10.00.051	1.50 (38.1 mm)	Yes	450 (205 Kg.)	Better	3
38.10.00.002	1.50 (38.1 mm)	Yes	450 (205 Kg.)	Better	3
38.10.00.001	1.50 (38.1 mm)	Yes	450 (205 Kg.)	Better	3
SD659	1.25 (31.8 mm)	Yes	150 (68 Kg.)	Better	4
ND659	1.25 (31.8 mm)	No	150 (68 Kg.)	Better	4
1973-9100-25	1.25 (31.8 mm)	Yes	500 (227 Kg.)	Good	2
1973-8000-25	1.50 (38.1 mm)	No	500 (227 Kg.)	Good	2
1973-4000-25	1.25 (31.8 mm)	No	500 (227 Kg.)	Good	2

* Two roller assemblies per door

** Our AAMA certifications are being updated constantly. Please consult AAMA's Verified Components List for an up to date listing of certified patio door roller products.

FIG. 1 APPLICATION OF 39 SERIES PATIO DOOR ROLLER



*FULLY RETRACTED WHEEL POSITION-DIMENSION IS TO INSIDE WHEEL RADIUS
 **FULLY EXTENDED WHEEL POSITION-DIMENSION IS TO INSIDE WHEEL RADIUS

PART NO.	CASE AND CARRIER MATERIAL	WHEEL MATERIAL	MOUNTING TABS	SPECIAL FEATURES
39.10	STEEL	STEEL	STANDARD	
39.11	STEEL	NYLON	STANDARD	
39.13	STAINLESS STEEL	STAINLESS STEEL	STANDARD	SST MOUNTING TABS
39.14	STEEL	STEEL	INVERTED	
39.20	STEEL	STAINLESS STEEL	STANDARD	
39.22	STEEL	NYLON	INVERTED	
39.23	STEEL	NYLON	OFFSET	
39.24	STEEL	STEEL	OFFSET	

NOTE:

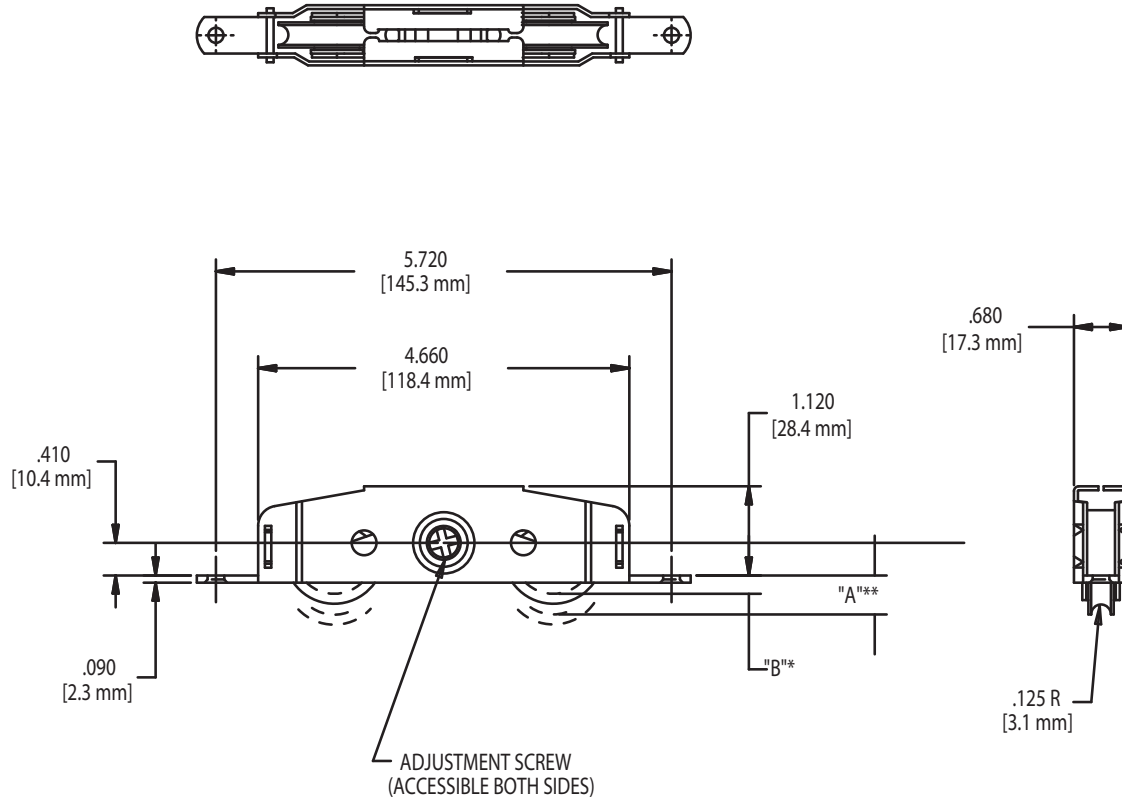
TRUTH PATIO DOOR ROLLERS ARE ADJUSTABLE FROM BOTH SIDES. WHEN TURNED COUNTER-CLOCKWISE, THE SIDE WITH CROSSED SLOTS RAISES THE DOOR. WHEN TURNED CLOCKWISE, THE SIDE WITH THE SINGLE SLOT RAISES THE DOOR.

RECOMMENDED SCREWS:

(QTY 2)#8 PHILLIPS, FLAT HEAD SCREWS (LENGTH AND THREAD TYPE TO BE DETERMINED BY PROFILE)

SIDE ADJUST TANDEM ROLLERS

FIG. 2 1973 SERIES SIDE ADJUST TANDEM ROLLER



*FULLY RETRACTED WHEEL POSITION-DIMENSION IS TO INSIDE WHEEL RADIUS
 **FULLY EXTENDED WHEEL POSITION-DIMENSION IS TO INSIDE WHEEL RADIUS

PART NO.	MATERIAL	WHEEL DIAMETER	"A"*** FULLY EXTENDED	"B"*** FULLY RETRACTED
1973-9100-25	STAINLESS STEEL	1.250	.489	.230
1973-4000-25	STEEL	1.250	.489	.230
1973-8000-25	STAINLESS STEEL	1.500	.614	.355

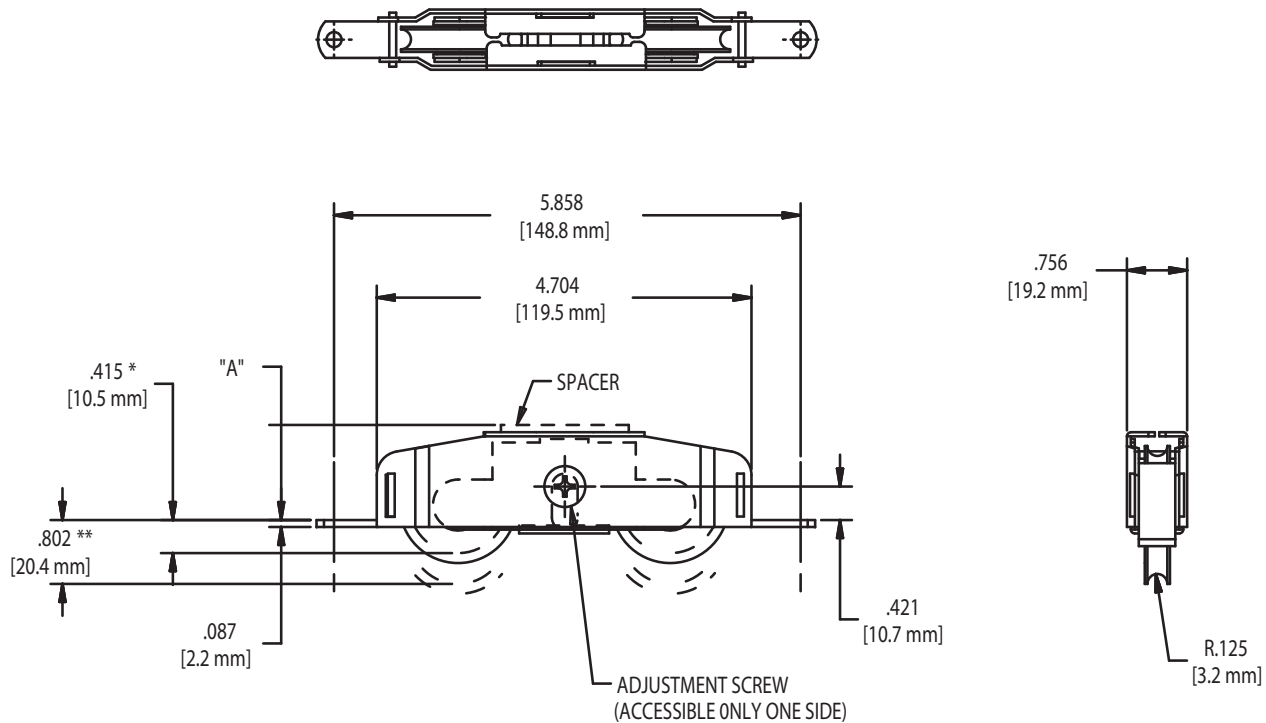
NOTE:

THE 1973 SERIES PATIO DOOR ROLLERS ARE ADJUSTABLE FROM BOTH SIDES. THE SIDE WITH CROSSED SLOTS RAISES THE DOOR WHEN TURNED CLOCKWISE. THE SIDE WITH THE SINGLE SLOT RAISES THE DOOR WHEN TURNED COUNTER-CLOCKWISE

RECOMMENDED MOUNTING SCREWS:

(QTY 2) #10 PHILLIPS FLAT HEAD SHEET METAL SCREW,
 (LENGTH TO BE DETERMINED BY APPLICATION)

FIG. 3 38.10 SERIES TANDEM ROLLER



*FULLY RETRACTED WHEEL POSITION-DIMENSION IS TO INSIDE WHEEL RADIUS

**FULLY EXTENDED WHEEL POSITION-DIMENSION IS TO INSIDE WHEEL RADIUS

PART NO.	MATERIAL	"A" HEIGHT	SPACER
38.10.00.001	STEEL	1.103	NO
38.10.00.002	STEEL	1.198	YES
38.10.00.051	STAINLESS STEEL	1.103	NO
38.10.00.052	STAINLESS STEEL	1.198	YES

NOTE:

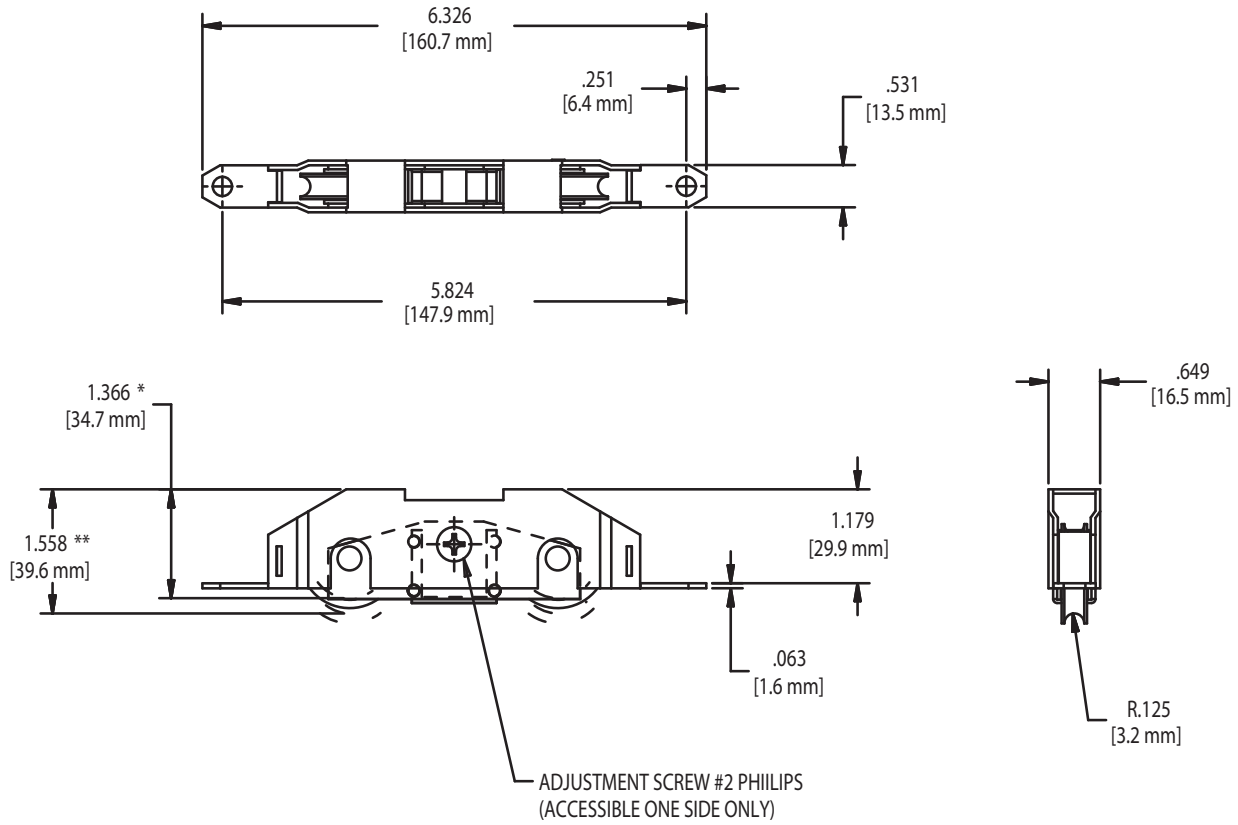
THE 38.10 SERIES PATIO DOOR ROLLERS ARE ADJUSTABLE FROM ONE SIDE ONLY.
TO RAISE THE DOOR, TURN THE ADJUSTMENT SCREW CLOCKWISE.

RECOMMENDED MOUNTING SCREWS:

(QTY 2) #10 PHILLIPS FLAT HEAD SHEET METAL SCREWS,
(LENGTH TO BE DETERMINED BY APPLICATION)

SIDE ADJUST TANDEM ROLLERS

FIG. 4 659 SERIES ROLLER



*FULLY RETRACTED WHEEL POSITION-DIMENSION IS TO INSIDE WHEEL RADIUS
 **FULLY EXTENDED WHEEL POSITION-DIMENSION IS TO INSIDE WHEEL RADIUS

PART NO.	MATERIAL
SD659	STEEL
ND659	NYLON

RECOMMENDED MOUNTING SCREWS:

(QTY 2) #10 PHILLIPS FLAT HEAD SCREWS, (LENGTH AND
 THREAD TYPE TO BE DETERMINED BY APPLICATION)



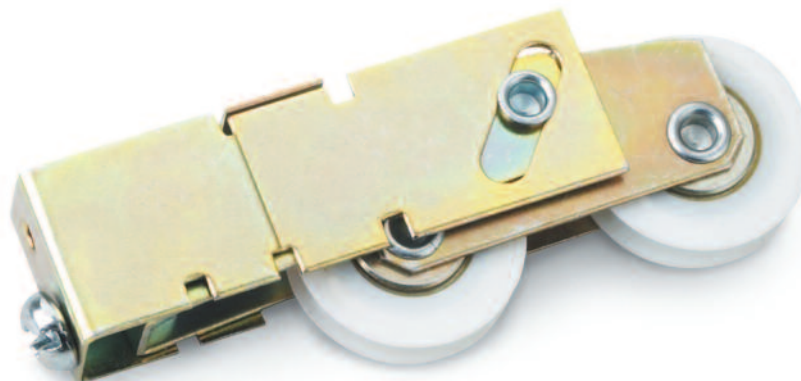
Truth Hardware's End Adjust Tandem Patio Door Rollers offer a unique advantage in that we manufacture our own ball bearings. This allows Truth complete control over all aspects of design and production of our roller assemblies. While others may use soft stamped metal parts in the production of their wheels, Truth's bearing raceways are machined from solid steel bar stock and then heat treated for wear resistance and plated for corrosion resistance. This method provides the longest lasting, true running rollers capable of carrying the heaviest loads.

- You can dependably support up to a 350 lb. door with two roller assemblies per door (nylon wheels rated up to a 150 lb. door). See Product Comparison Chart.
- Truth Hardware Rollers are equipped with full race, permanently lubricated radial ball bearings that are labyrinth-shielded to resist contamination by dust and moisture and will provide trouble-free service.
- The wheels are offered in various diameters and with a choice of steel, stainless steel, or nylon rolling surfaces.
- Truth's standard groove radius is .125 (+/- .010/.000).
- We offer models to meet most application needs:
 - Slide flares or dimples to stabilize the roller housing within the bottom stile.
 - Notched housing to allow for corner welding on vinyl doors
 - U-tab mounting for quick, efficient door assembly.

Please refer to individual charts for dimensional details and adjustment ranges.

INDUSTRY TESTED

Steel roller components are zinc plated to ASTM-B-633 Type 2 specifications. All roller assemblies are designed to meet AAMA 906.3-96 and CAWM standards for corrosion resistance, load and life cycle specs. See Product Comparison Chart.



WARRANTY: Protected under the terms of the "Truth Warranty for Window & Door Manufacturers & Authorized Distributors". Refer to Truth's Terms & Conditions for further details.

MATERIAL: Heavy duty case and carrier is cold-rolled steel or stainless steel. Ball bearing wheels in steel, stainless steel or steel with nylon tires.

FINISH: All steel parts are zinc plated for corrosion resistance.

MOUNTING: Mounts in recess in bottom of door rail. Recess dimension and hole spacing conform to general industry practice. Consult drawings for detailed mounting information. Contact Truth for special information if your application does not provide side and top support for the roller assembly.

ORDERING INFORMATION & OPTIONS:

1. Choose style of rollers desired. See drawings for roller options offered.

Note: If your application requires a modification to one of our standard rollers, or a complete new design, our staff and facilities are equipped to promptly handle your needs. Please contact Truth Hardware for assistance.

- To establish the initial specification for a roller application we need the following information:
- Wheel diameter: 1", 1-1/8", 1-1/4", 1-1/2".
- Housing: Steel or stainless steel.
- Radius of the track crown.

- Internal width and internal height of the bottom rail.
- Maximum load to which rollers will be subjected.

Note: Truth can provide various wheel types (steel, stainless steel, nylon) to suit your application and/or environmental conditions. Please contact us so we can help you select the style that will meet your needs.

RECOMMENDED SCREWS:

Types of screws required determined by material of profile used.

TRUTH TIPS:

1. When a sliding patio door system has an aluminum track, a patio door roller with a nylon wheel must be used. If a steel wheel is used, gauling will occur, resulting in short track life.
2. It is important to match mounting screw material to the material being fastened. Consult Truth Tech Notes for more information.
3. Truth recommends that a power screwdriver is NOT used to adjust rollers, as it is possible to apply too much torque and damage the adjustment mechanism.

INCLUDE TRUTH SPECS ON YOUR NEXT PATIO DOOR PROJECT

Ball bearing roller assemblies must be provided which allow easy height adjustment and installation. Sliding door rollers shall be Tandem Patio Door Rollers as manufactured by Truth Hardware.

END ADJUST TANDEM ROLLERS

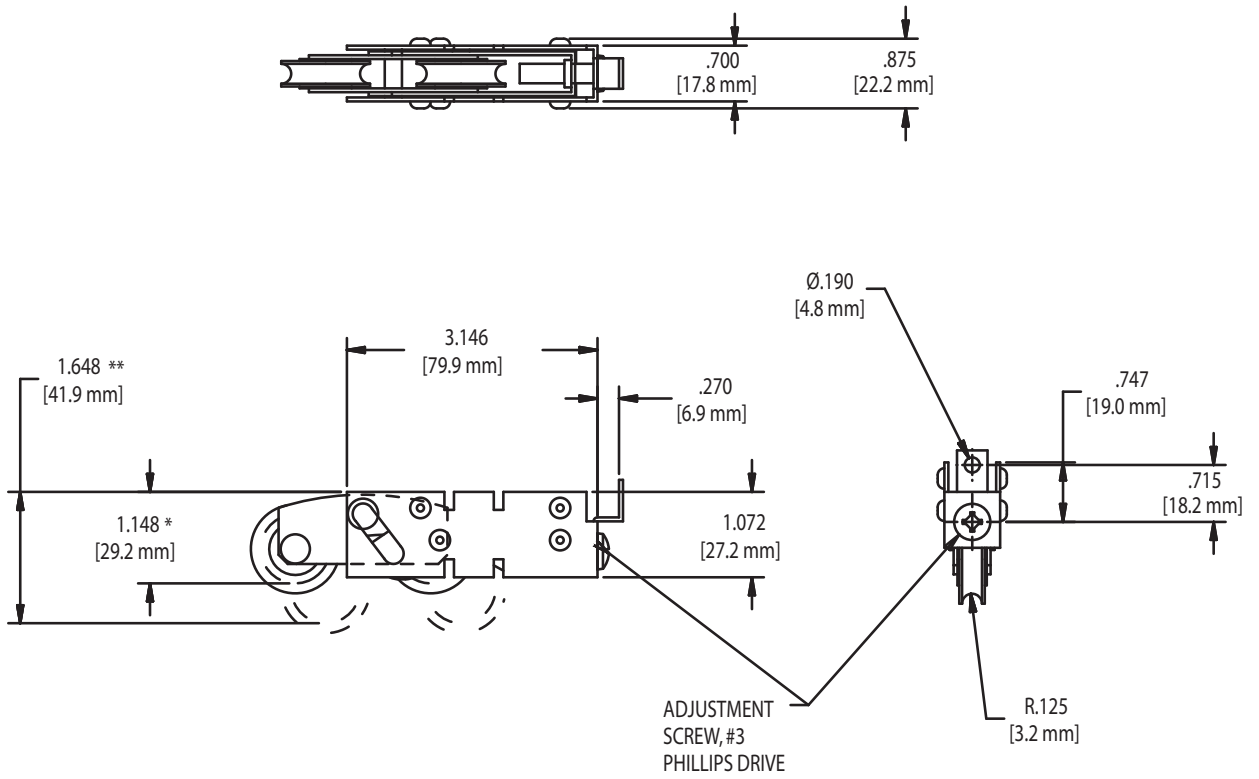
Product Comparison Chart

Roller Assembly No.	Roller Dia.	AAMA Certified**	Max. Door Wt.*	See Figure Number
1935-3687-2	1.12 (28.6 mm)	No	220 (100 Kg.)	2
1935-3687-6D	1.12 (28.6 mm)	No	220 (100 Kg.)	1
1935-6687-2D	1.50 (38.1 mm)	No	280 (127 Kg.)	1
1935-4B181-2	1.25 (31.8 mm)	No	260 (118 Kg.)	3
1935B-2H74-2TC	1.00 (25.4 mm)	No	140 (64 Kg.)	5
1935B-4074-2HC	1.25 (31.8 mm)	No	260 (118 Kg.)	4
1935B-4076-2HC	1.25 (31.8 mm)	No	260 (118 Kg.)	4
1935B-4076-6HC	1.25 (31.8 mm)	No	260 (118 Kg.)	4
1939-6011	1.50 (38.1 mm)	No	280 (127 Kg.)	6
1939-6011-SS	1.50 (38.1 mm)	No	280 (127 Kg.)	6
1951-3968-2	1.12 (28.6 mm)	No	220 (100 Kg.)	8
1951-4000-1-C	1.25 (31.8 mm)	No	260 (118 Kg.)	10
1951-4000-2	1.25 (31.8 mm)	No	260 (118 Kg.)	9
1951-4000-2A	1.25 (31.8 mm)	No	260 (118 Kg.)	7
1951-4000-2-SS	1.25 (31.8 mm)	No	260 (118 Kg.)	9
1951-4810-T	1.25 (31.8 mm)	No	260 (118 Kg.)	11
1951-4968-2	1.25 (31.8 mm)	Yes	350 (159 Kg.)	8
1951-4968-2-SS	1.25 (31.8 mm)	Yes	350 (159 Kg.)	8
1951-6000-2A	1.50 (38.1 mm)	No	280 (127 Kg.)	7
1951-9000-2A-SS	1.50 (38.1 mm)	No	280 (127 Kg.)	7
1959-1112	1.12 (28.6 mm)	No	220 (100 Kg.)	12
1959-1112-SS	1.12 (28.6 mm)	No	220 (100 Kg.)	12
1963-2000-2	1.00 (25.4 mm)	No	140 (64 Kg.)	13
1977-4000	1.25 (31.8 mm)	No	260 (118 Kg.)	14
1978-4000-2	1.25 (31.8 mm)	Yes	250 (114 Kg.)	16
1978-4000-SS	1.25 (31.8 mm)	Yes	250 (114 Kg.)	16
38.15.00.001	1.25 (31.8 mm)	No	260 (118 Kg.)	15
ND451	1.25 (31.8 mm)	Yes	150 (68 Kg.)	17
ND460	1.25 (31.8 mm)	No	260 (118 Kg.)	18
ND462	1.25 (31.8 mm)	No	260 (118 Kg.)	20
ND740	1.25 (31.8 mm)	No	260 (118 Kg.)	21
SD452	1.25 (31.8 mm)	No	260 (118 Kg.)	17
SD460	1.25 (31.8 mm)	No	260 (118 Kg.)	18
SD461	1.25 (31.8 mm)	No	260 (118 Kg.)	19
SD462	1.25 (31.8 mm)	No	260 (118 Kg.)	20
SD740	1.25 (31.8 mm)	No	260 (118 Kg.)	21
SD747	1.00 (25.4 mm)	Yes	150 (68 Kg.)	21
SD850	1.50 (38.1 mm)	No	280 (127 Kg.)	22
SD854	1.50 (38.1 mm)	No	280 (127 Kg.)	23

* Two roller assemblies per door

** Our AAMA certifications are being updated constantly. Please consult AAMA's Verified Components List for an up to date listing of certified patio door roller products.

FIG. 1 1935 SERIES TANDEM ROLLER



PART NO.	MATERIAL
1935-3687-6D	STAINLESS STEEL
1935-3687-2	STEEL

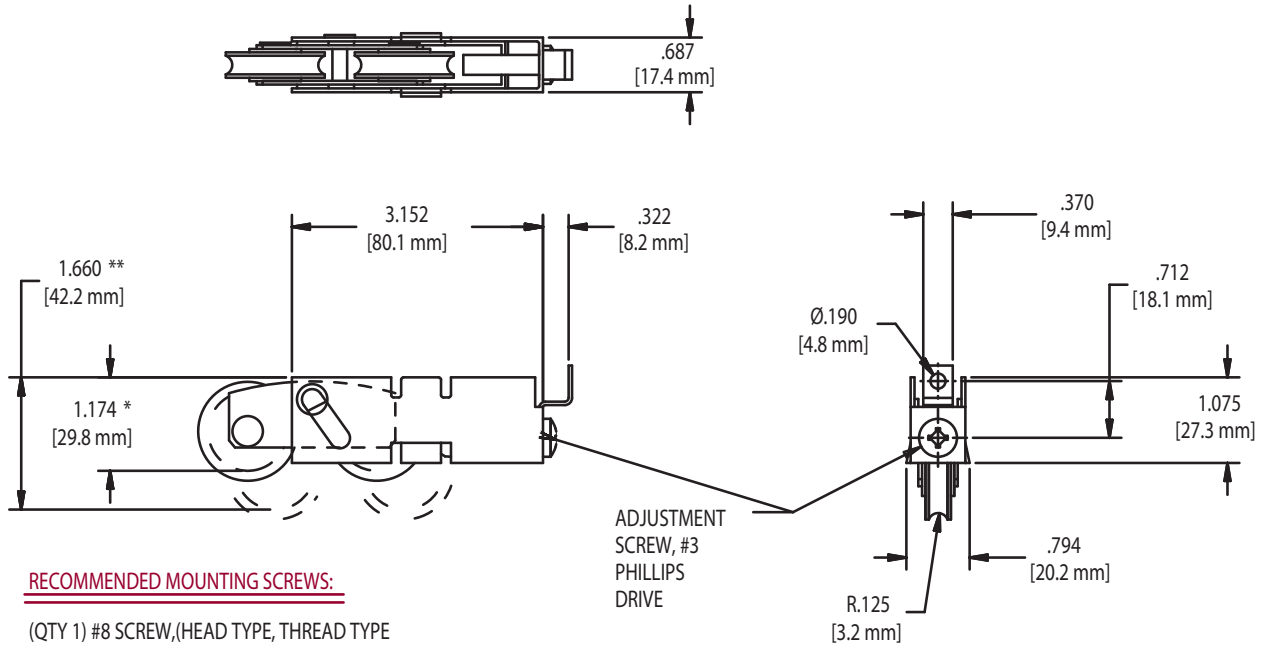
*FULLY RETRACTED WHEEL POSITION-DIMENSION IS TO INSIDE WHEEL RADIUS
 **FULLY EXTENDED WHEEL POSITION-DIMENSION IS TO INSIDE WHEEL RADIUS

RECOMMENDED MOUNTING SCREWS:

(QTY 1) #8 SCREWS,(HEAD TYPE, THREAD TYPE AND LENGTH TO BE DETERMINED BY APPLICATION)

END ADJUST TANDEM ROLLERS

FIG. 2 1935-3687-2 TANDEM ROLLER

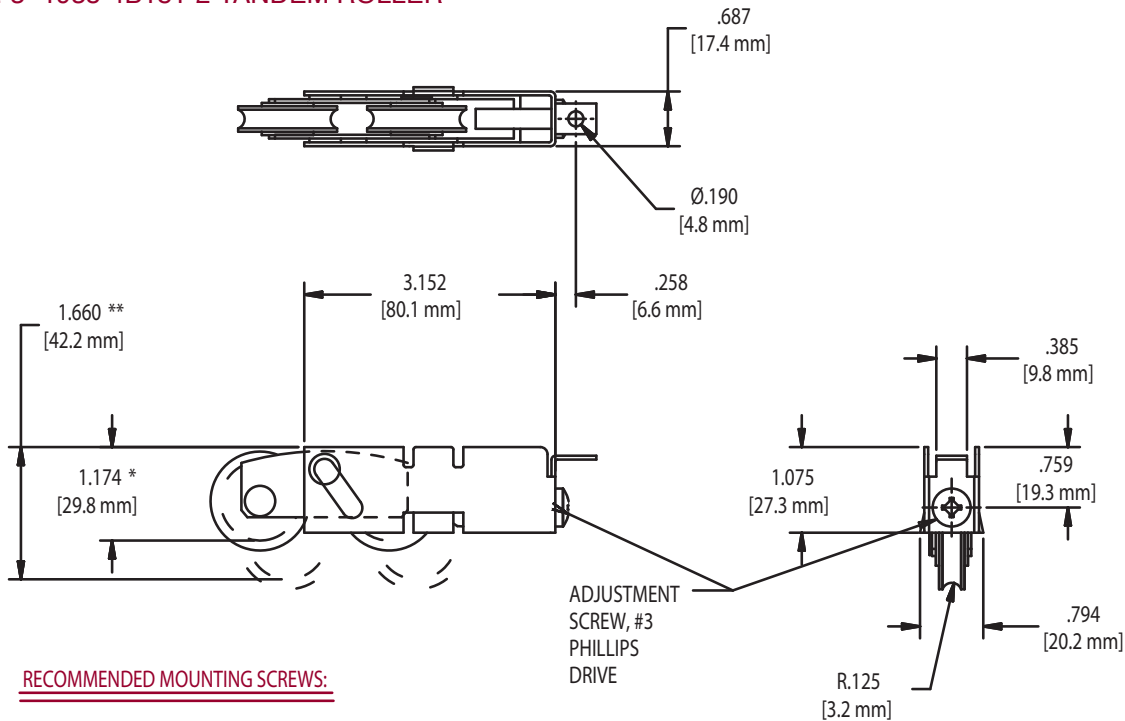


RECOMMENDED MOUNTING SCREWS:

(QTY 1) #8 SCREW,(HEAD TYPE, THREAD TYPE AND LENGTH TO BE DETERMINED BY APPLICATION)

*FULLY RETRACTED WHEEL POSITION-DIMENSION IS TO INSIDE WHEEL RADIUS
 **FULLY EXTENDED WHEEL POSITION-DIMENSION IS TO INSIDE WHEEL RADIUS

FIG. 3 1935-4B181-2 TANDEM ROLLER

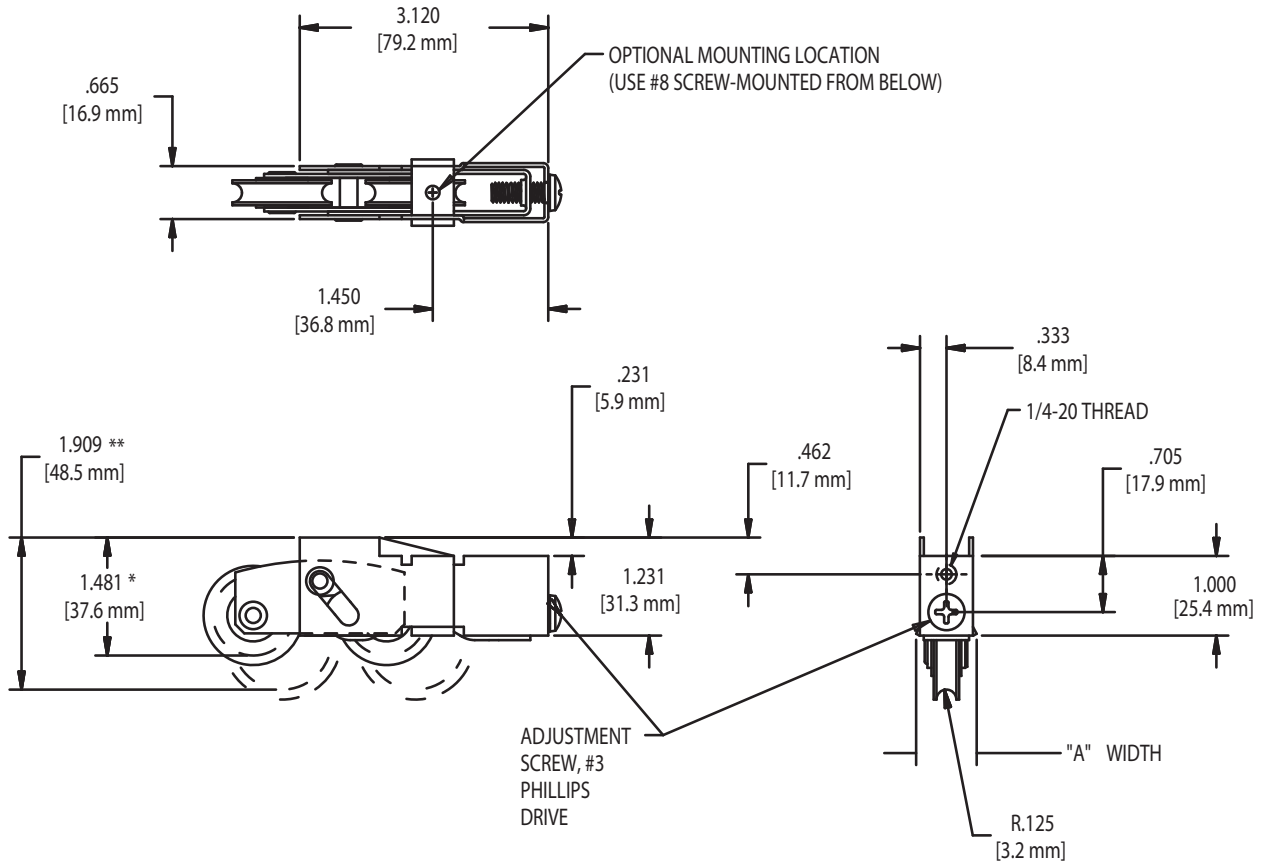


RECOMMENDED MOUNTING SCREWS:

(QTY 1) #8 SCREW,(HEAD TYPE, THREAD TYPE AND LENGTH TO BE DETERMINED BY APPLICATION)

*FULLY RETRACTED WHEEL POSITION-DIMENSION IS TO INSIDE WHEEL RADIUS
 **FULLY EXTENDED WHEEL POSITION-DIMENSION IS TO INSIDE WHEEL RADIUS

FIG. 4 1935 SERIES TANDEM HIGH TOP ROLLER



*FULLY RETRACTED WHEEL POSITION-DIMENSION IS TO INSIDE WHEEL RADIUS

**FULLY EXTENDED WHEEL POSITION-DIMENSION IS TO INSIDE WHEEL RADIUS

PART NO.	MATERIAL	"A" WIDTH
1935B-4076-2HC	STEEL	.760
1935B-4076-6HC	STAINLESS STEEL	.760
1935B-4074-2HC	STEEL	.740

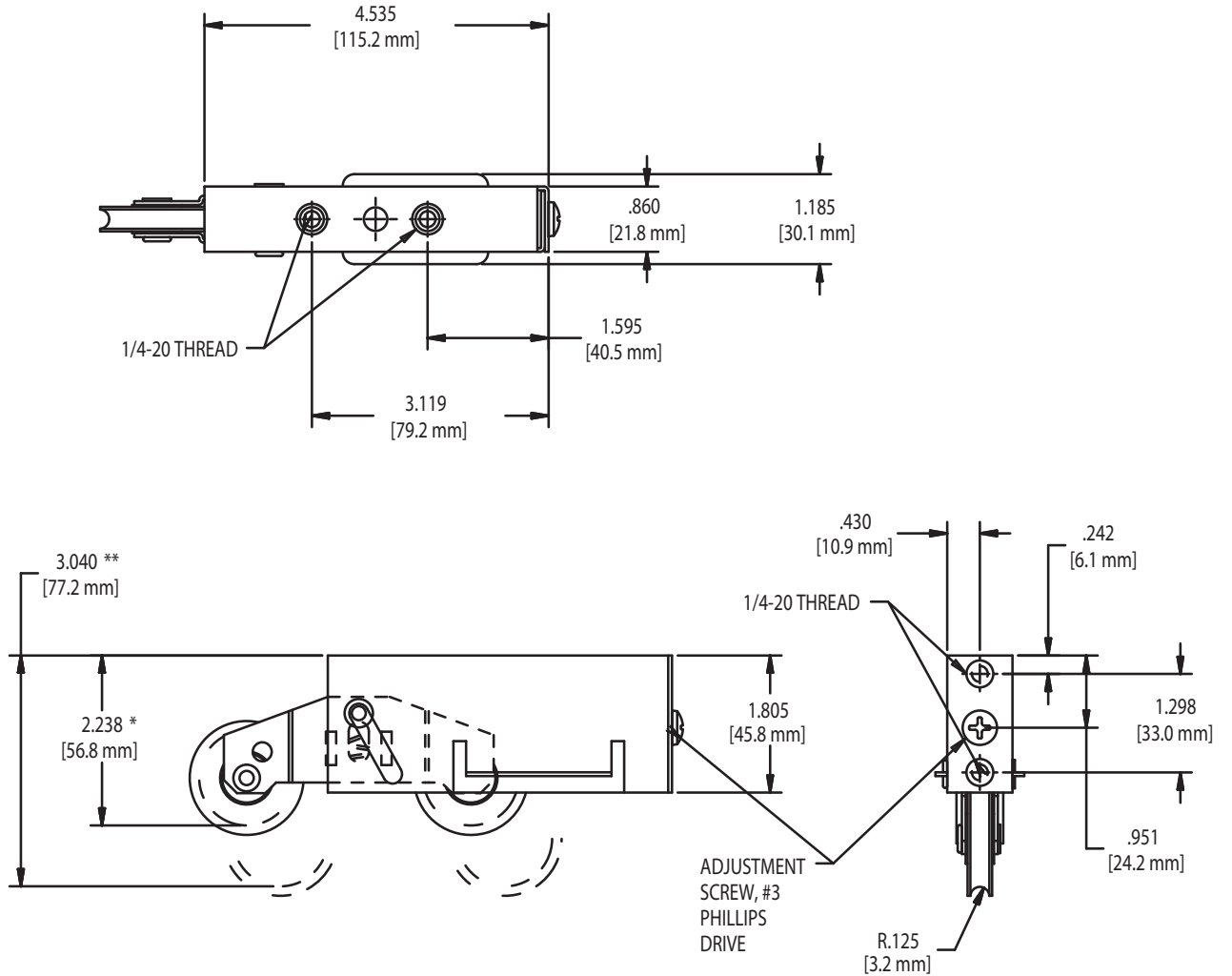
RECOMMENDED MOUNTING SCREWS:

(QTY 1) 1/4-20 MACHINE SCREW,(HEAD
TYPE AND LENGTH TO BE DETERMINED
BY APPLICATION)

OR

(QTY 1) #8 PHILLIPS PAN HEAD SCREW,(THREAD
TYPE AND LENGTH TO BE DETERMINED BY
APPLICATION)

FIG. 6 1939 SERIES TANDEM ROLLER



*FULLY RETRACTED WHEEL POSITION-DIMENSION IS TO INSIDE WHEEL RADIUS
 **FULLY EXTENDED WHEEL POSITION-DIMENSION IS TO INSIDE WHEEL RADIUS

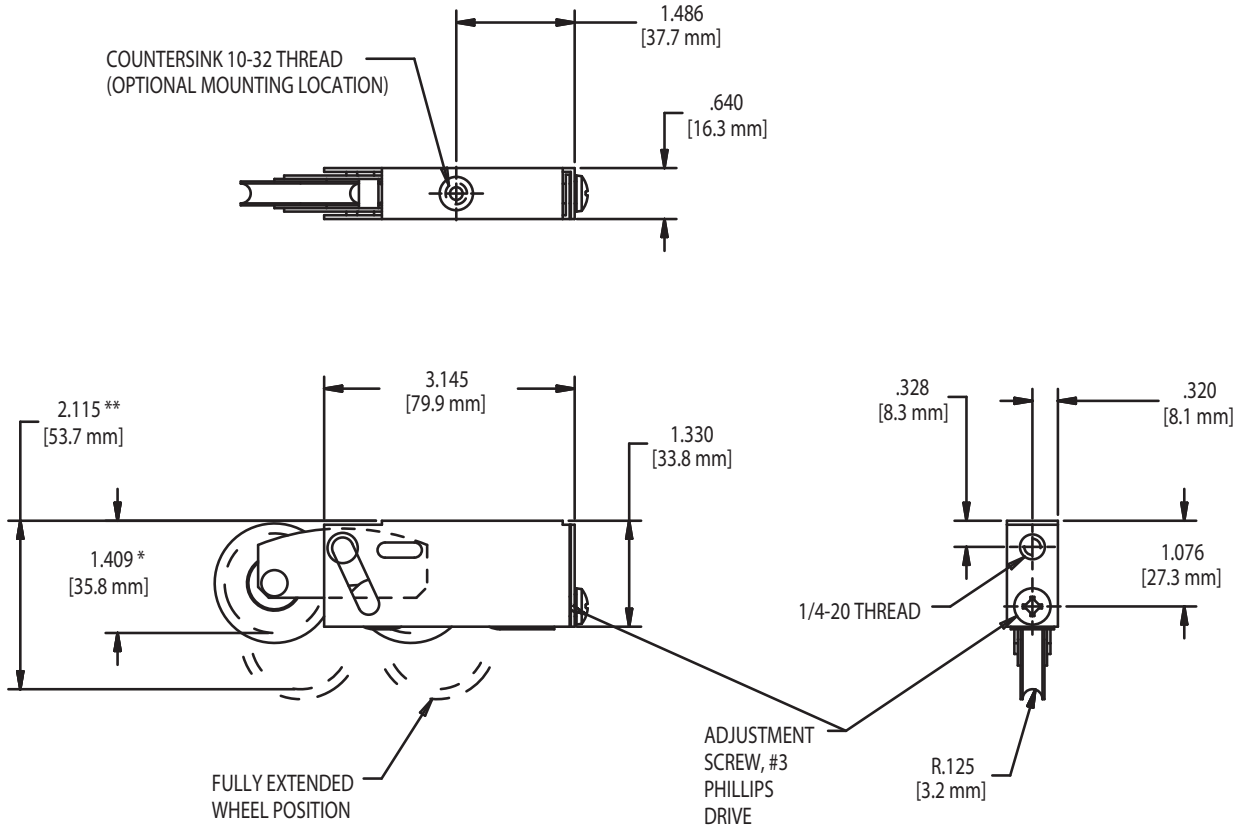
PART NO.	MATERIAL
1939-6011	STEEL
1939-6011-SS	STAINLESS STEEL

RECOMMENDED MOUNTING SCREWS:

(QTY 2) 1/4-20 MACHINE SCREWS,(HEAD TYPE
 AND LENGTH TO BE DETERMINED BY APPLICATION)

END ADJUST TANDEM ROLLERS

FIG. 7 1951 SERIES TANDEM ROLLER



*FULLY RETRACTED WHEEL POSITION-DIMENSION IS TO INSIDE WHEEL RADIUS
 **FULLY EXTENDED WHEEL POSITION-DIMENSION IS TO INSIDE WHEEL RADIUS

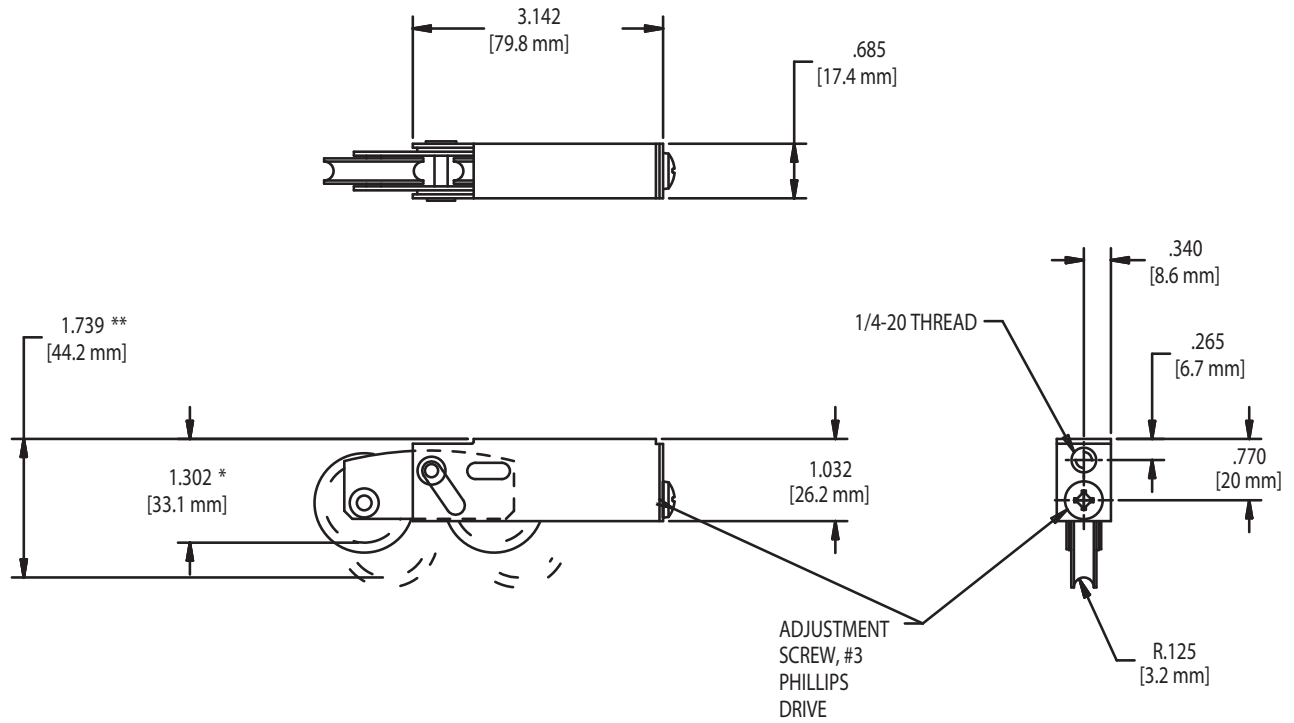
PART NO.	MATERIAL
1951-6000-2A	STEEL
1951-9000-2A-SS	STAINLESS STEEL
1951-4000-2A	STEEL

RECOMMENDED MOUNTING SCREWS:

- (QTY 1) 1/4-20 MACHINE SCREW,(HEAD TYPE AND LENGTH TO BE DETERMINED BY APPLICATION)
OR
- (QTY 1) 10-32 SHEET METAL SCREW,(HEAD TYPE AND LENGTH TO BE DETERMINED BY APPLICATION)

END ADJUST TANDEM ROLLERS

FIG. 9 1951 SERIES TANDEM ROLLER



*FULLY RETRACTED WHEEL POSITION-DIMENSION IS TO INSIDE WHEEL RADIUS

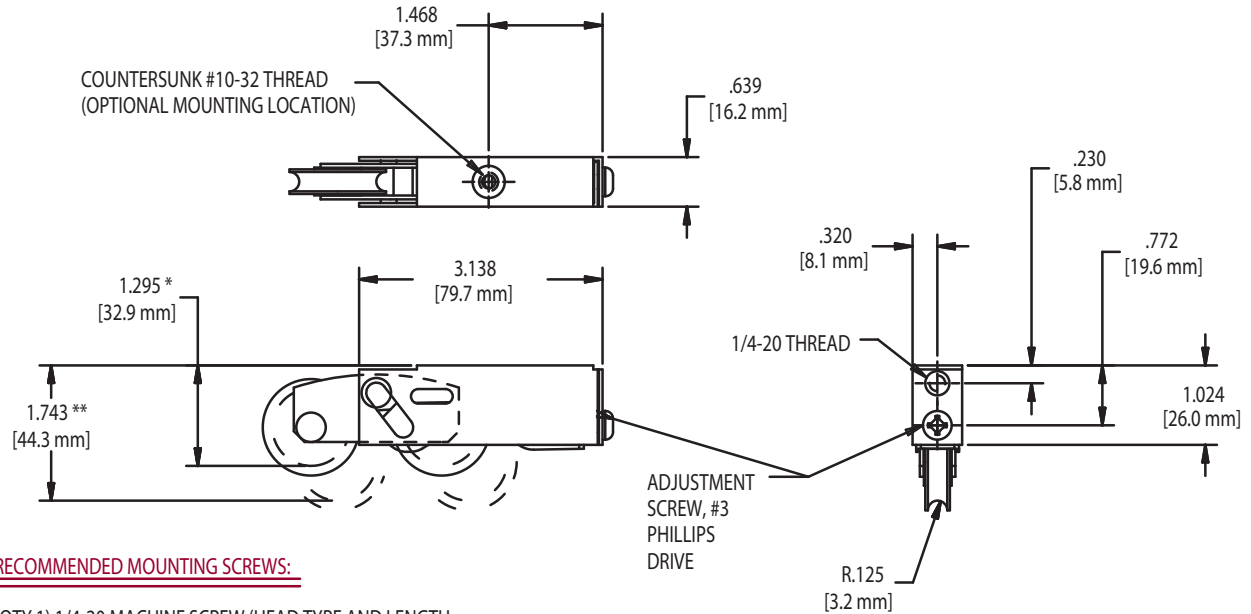
**FULLY EXTENDED WHEEL POSITION-DIMENSION IS TO INSIDE WHEEL RADIUS

PART NO.	MATERIAL
1951-4000-2	STEEL
1951-4000-2-SS	STAINLESS STEEL

RECOMMENDED MOUNTING SCREWS:

(QTY 1) 1/4-20 MACHINE SCREW, (HEAD TYPE AND LENGTH TO BE DETERMINED BY APPLICATION)

FIG. 10 1951-4000-1-C TANDEM ROLLER

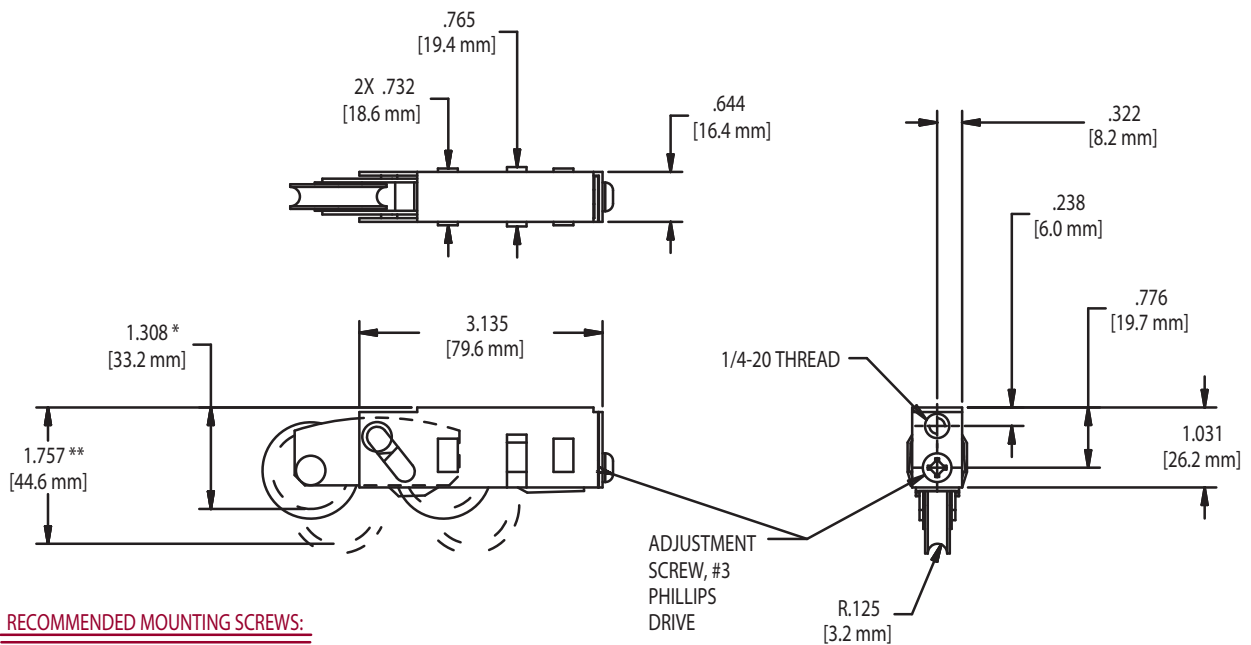


RECOMMENDED MOUNTING SCREWS:

- (QTY 1) 1/4-20 MACHINE SCREW,(HEAD TYPE AND LENGTH TO BE DETERMINED BY APPLICATION)
- OR
- (QTY 1) 10-32 MACHINE SCREW,(HEAD TYPE AND LENGTH TO BE DETERMINED BY APPLICATION)

*FULLY RETRACTED WHEEL POSITION-DIMENSION IS TO INSIDE WHEEL RADIUS
 **FULLY EXTENDED WHEEL POSITION-DIMENSION IS TO INSIDE WHEEL RADIUS

FIG. 11 1951-4810-T TANDEM ROLLER



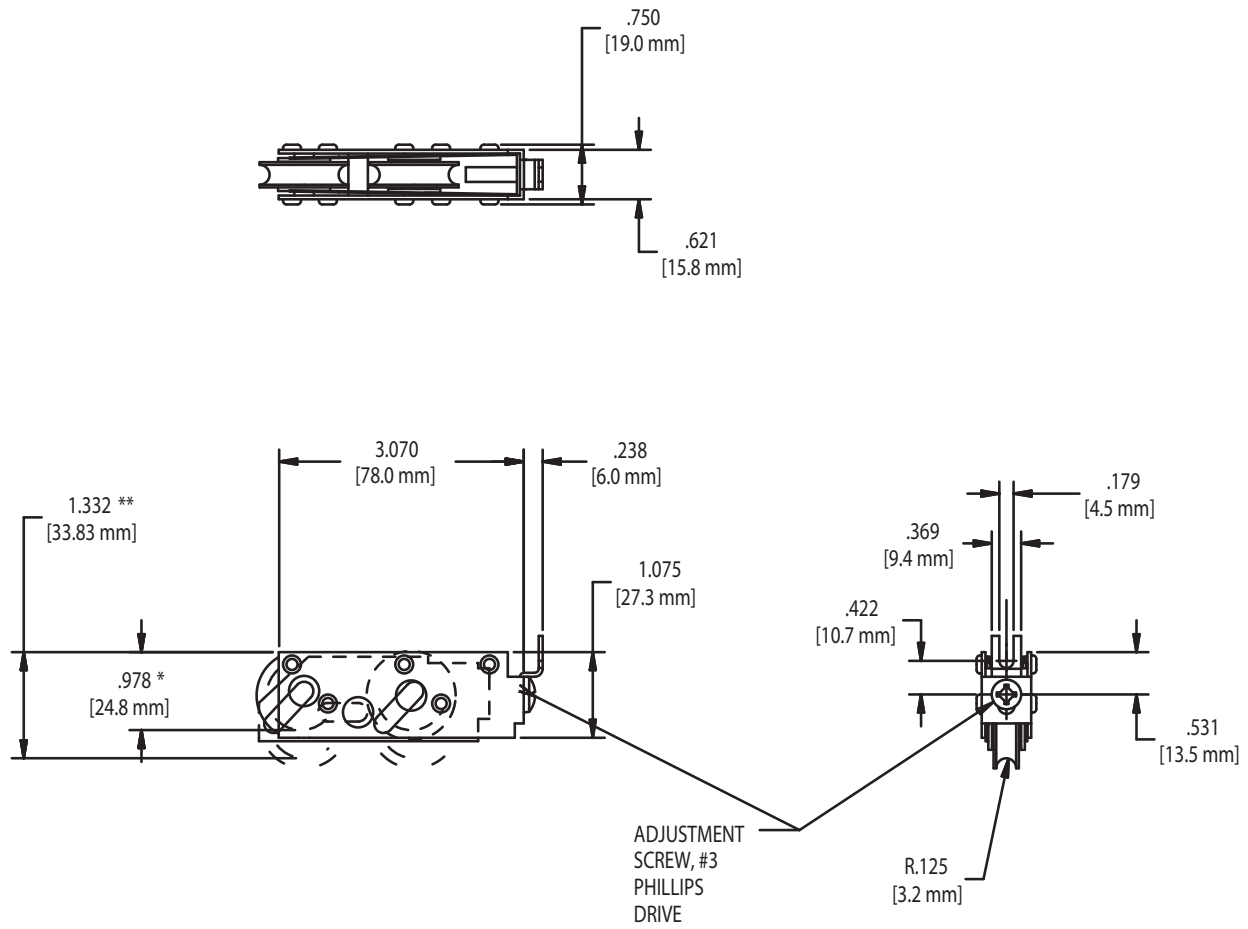
RECOMMENDED MOUNTING SCREWS:

- (QTY 1) 1/4-20 MACHINE SCREW,(HEAD TYPE AND LENGTH TO BE DETERMINED BY APPLICATION)

*FULLY RETRACTED WHEEL POSITION-DIMENSION IS TO INSIDE WHEEL RADIUS
 **FULLY EXTENDED WHEEL POSITION-DIMENSION IS TO INSIDE WHEEL RADIUS

END ADJUST TANDEM ROLLERS

FIG. 12 1959 SERIES TANDEM ROLLER



*FULLY RETRACTED WHEEL POSITION-DIMENSION IS TO INSIDE WHEEL RADIUS

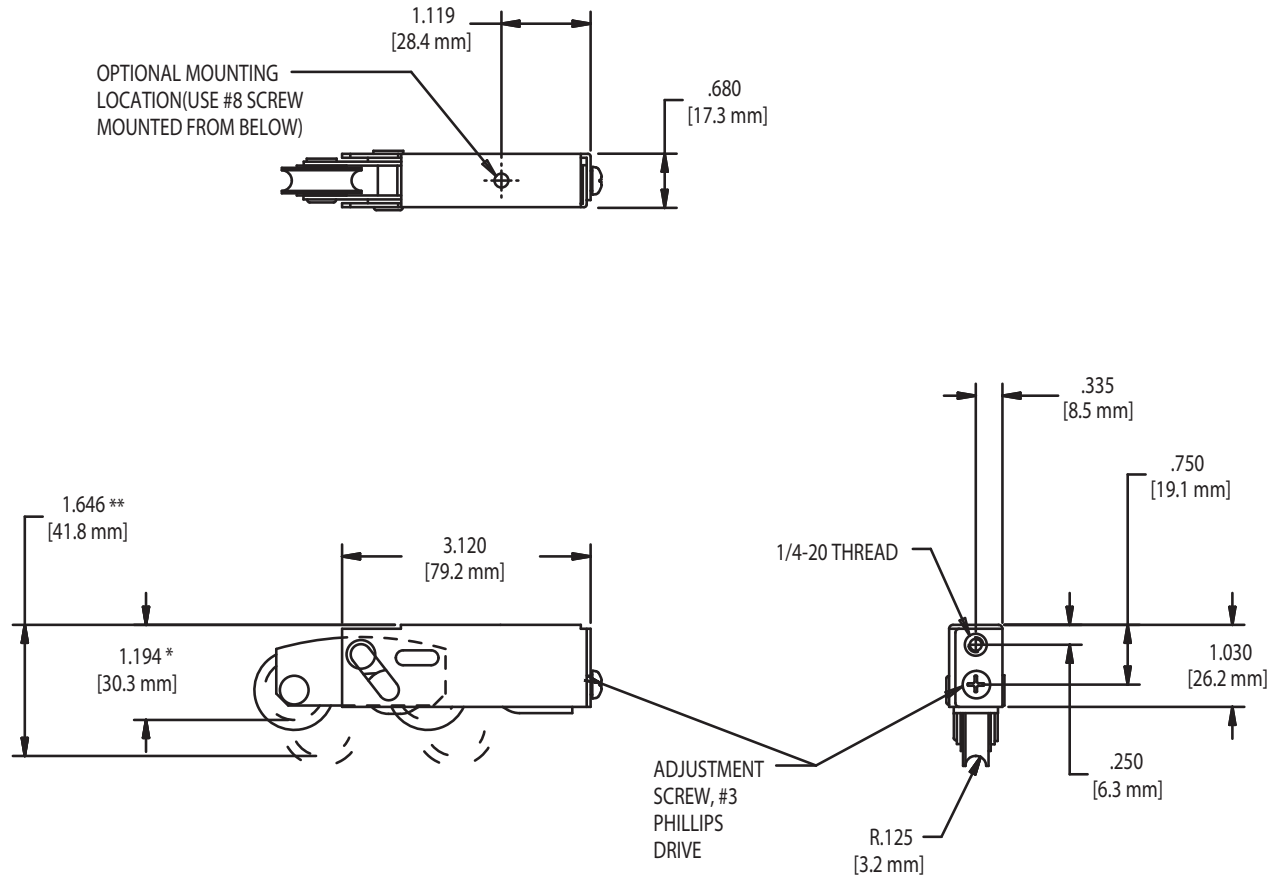
**FULLY EXTENDED WHEEL POSITION-DIMENSION IS TO INSIDE WHEEL RADIUS

PART NO.	MATERIAL
1959-1112	STEEL
1959-1112-SS	STAINLESS STEEL

RECOMMENDED MOUNTING SCREWS:

(QTY 1) #8 PHILLIPS PAN HEAD SCREW,(THREAD TYPE AND LENGTH TO BE DETERMINED BY APPLICATION)

FIG. 13 1963-2000-2 TANDEM ROLLER



*FULLY RETRACTED WHEEL POSITION-DIMENSION IS TO INSIDE WHEEL RADIUS

**FULLY EXTENDED WHEEL POSITION-DIMENSION IS TO INSIDE WHEEL RADIUS

RECOMMENDED MOUNTING SCREWS:

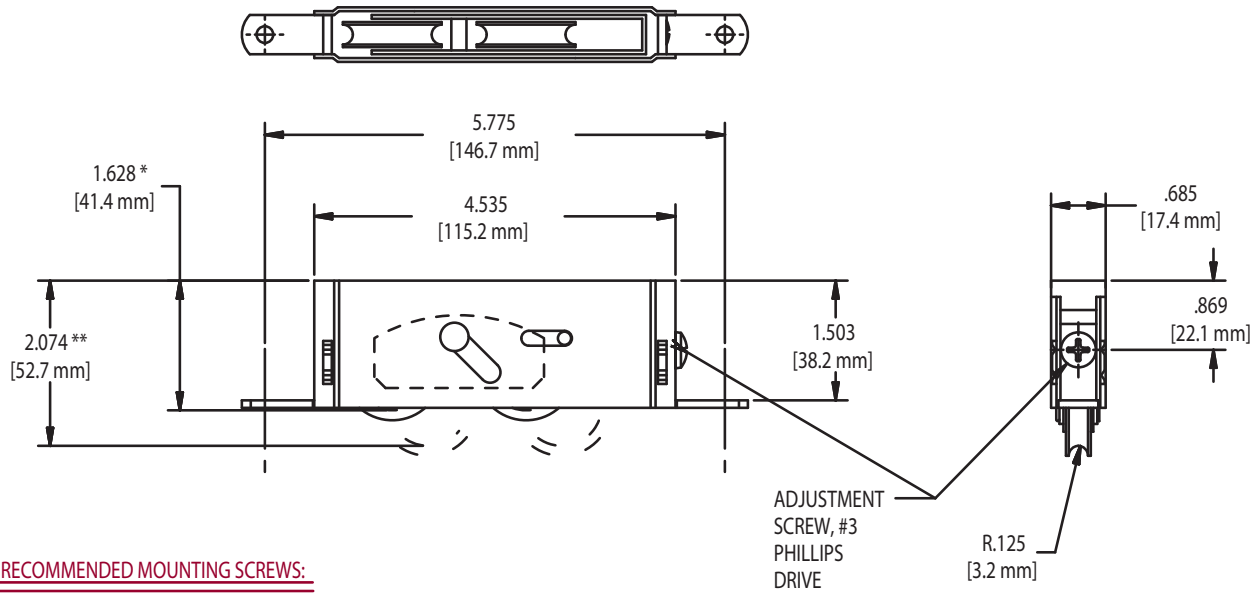
(QTY 1) 1/4-20 MACHINE SCREW,(HEAD TYPE AND LENGTH TO BE DETERMINED BY APPLICATION)

OR

(QTY 1) #8 PHILLIPS PAN HEAD SCREW,(THREAD TYPE AND LENGTH TO BE DETERMINED BY APPLICATION)

END ADJUST TANDEM ROLLERS

FIG. 14 1977-4000 TANDEM ROLLER



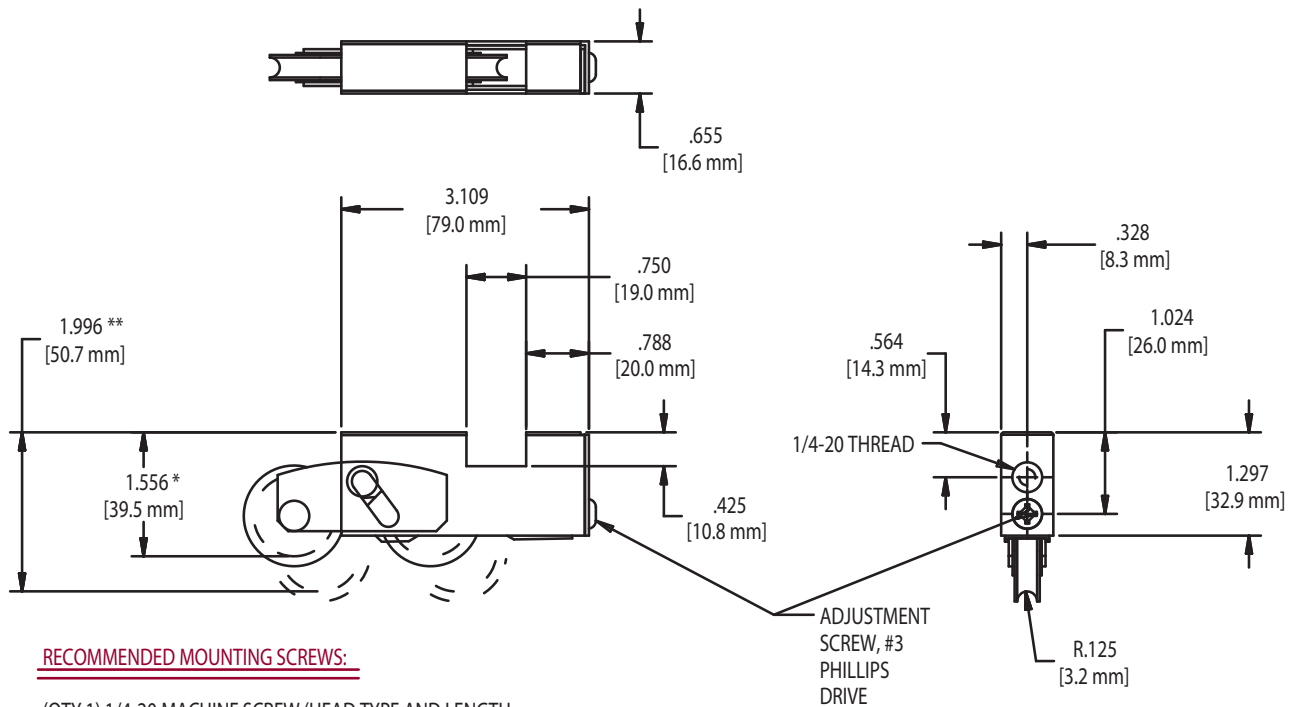
RECOMMENDED MOUNTING SCREWS:

(QTY 2) #10 PHILLIPS FLAT HEAD SCREWS,(THREAD TYPE AND LENGTH TO BE DETERMINED BY APPLICATION)

*FULLY RETRACTED WHEEL POSITION-DIMENSION IS TO INSIDE WHEEL RADIUS

**FULLY EXTENDED WHEEL POSITION-DIMENSION IS TO INSIDE WHEEL RADIUS

FIG. 15 38.15.00.001 TANDEM ROLLER



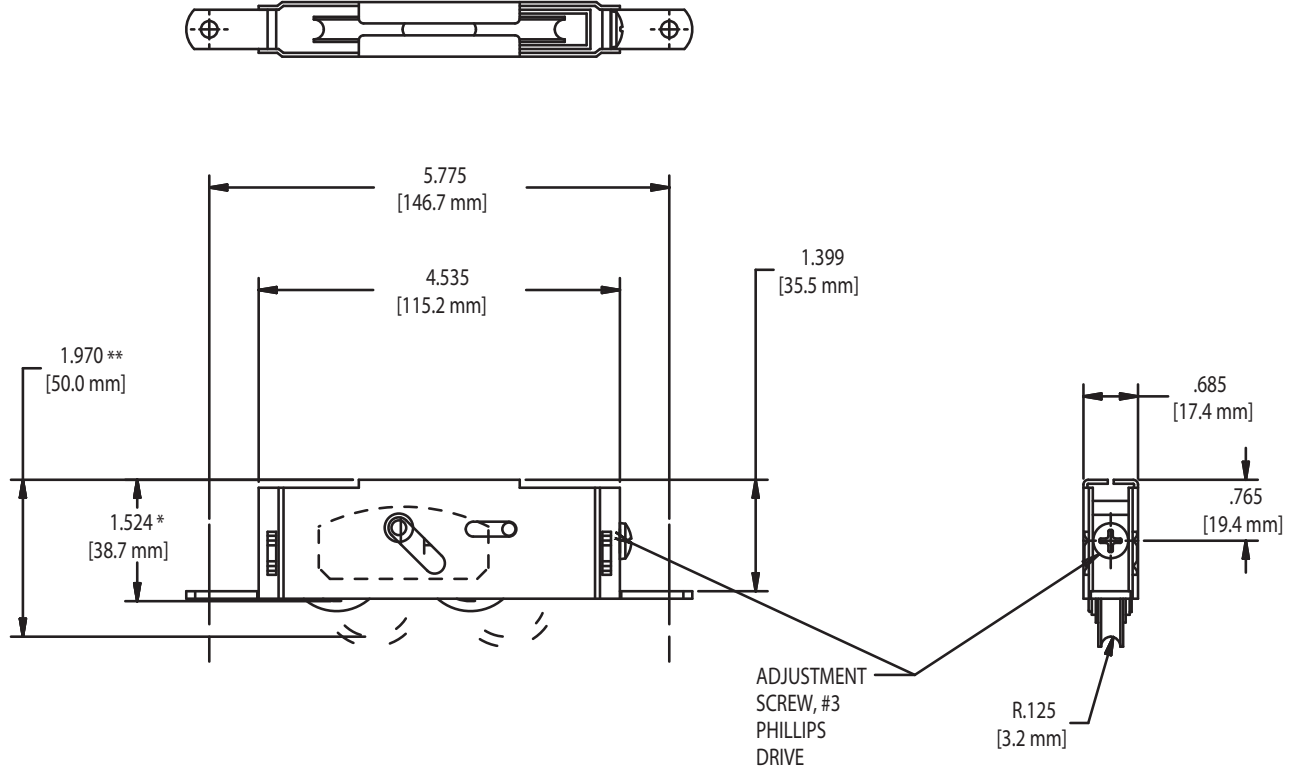
RECOMMENDED MOUNTING SCREWS:

(QTY 1) 1/4-20 MACHINE SCREW,(HEAD TYPE AND LENGTH TO BE DETERMINED BY APPLICATION)

*FULLY RETRACTED WHEEL POSITION-DIMENSION IS TO INSIDE WHEEL RADIUS

**FULLY EXTENDED WHEEL POSITION-DIMENSION IS TO INSIDE WHEEL RADIUS

FIG. 16 1978 SERIES TANDEM ROLLER



*FULLY RETRACTED WHEEL POSITION-DIMENSION IS TO INSIDE WHEEL RADIUS

**FULLY EXTENDED WHEEL POSITION-DIMENSION IS TO INSIDE WHEEL RADIUS

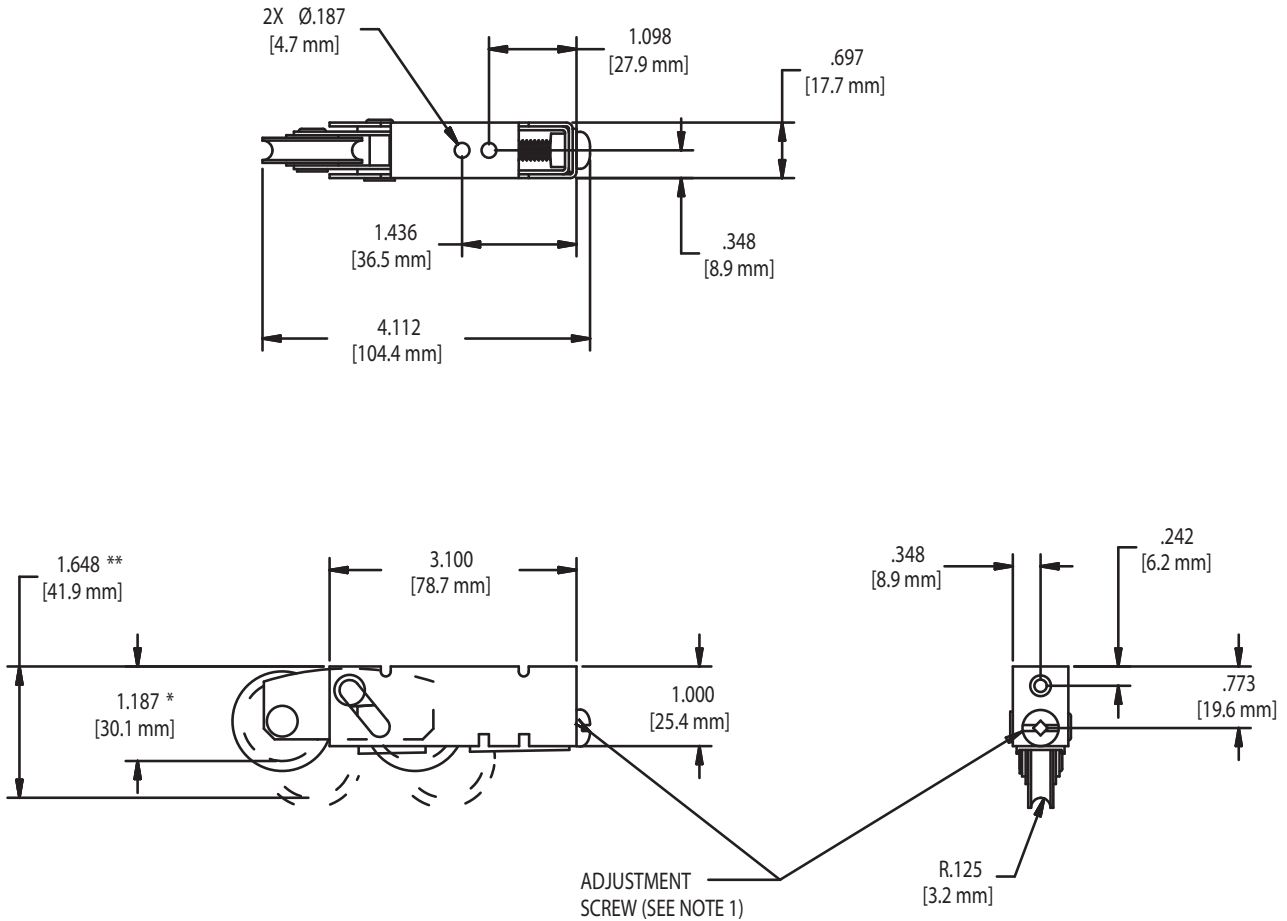
PART NO.	MATERIAL
1978-4000-2	STEEL
1978-4000-SS	STAINLESS STEEL

RECOMMENDED MOUNTING SCREWS:

(QTY 2) #10 PHILLIPS FLAT HEAD SCREWS,(THREAD TYPE AND LENGTH TO BE DETERMINED BY APPLICATION)

END ADJUST TANDEM ROLLERS

FIG. 17 451 AND 452 SERIES TANDEM ROLLER



*FULLY RETRACTED WHEEL POSITION-DIMENSION IS TO INSIDE WHEEL RADIUS
 **FULLY EXTENDED WHEEL POSITION-DIMENSION IS TO INSIDE WHEEL RADIUS

PART NO.	WHEEL MATERIAL
ND451	NYLON
SD452	STEEL

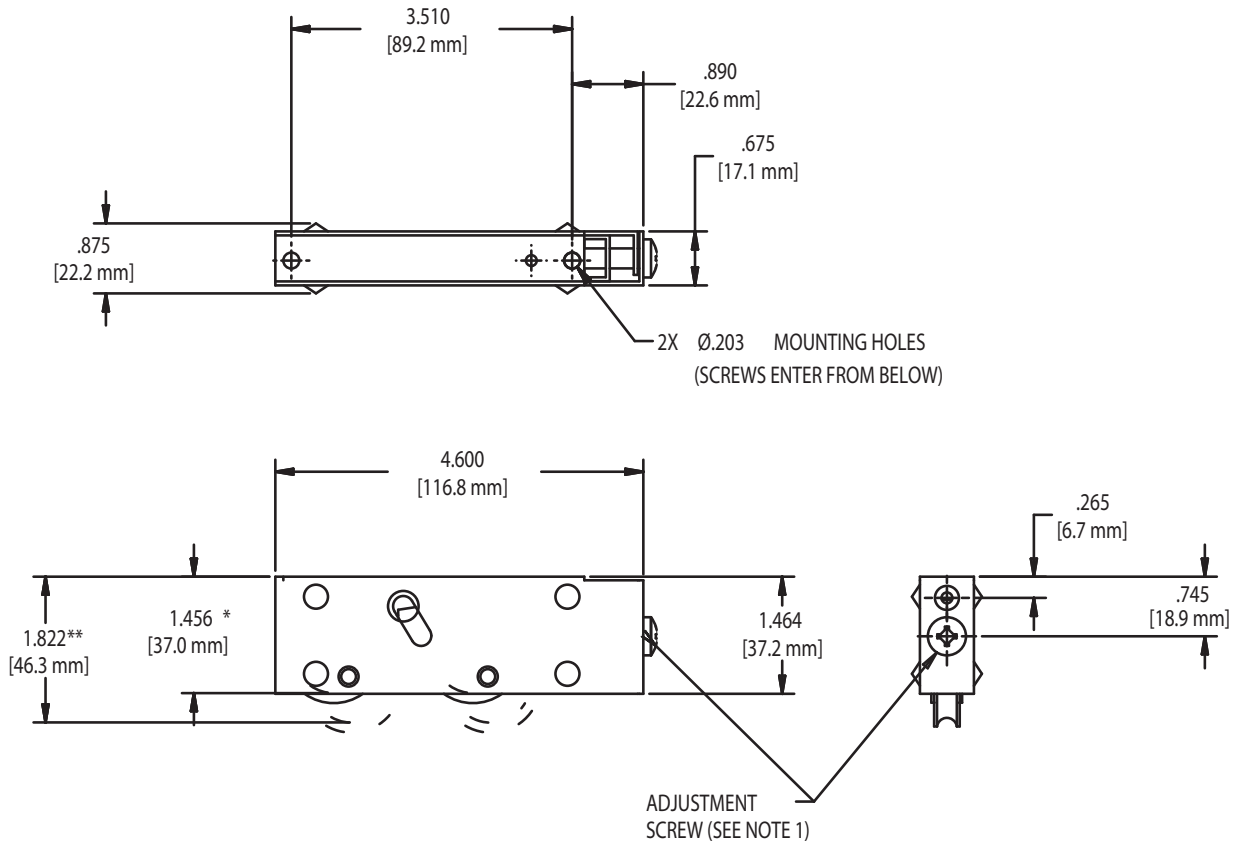
NOTE:

1. WHEN ORDERING SPECIFY DRIVER TYPE: #2 PHILLIPS OR ROBERTSON/#2 FLAT COMBINATION DRIVE

RECOMMENDED MOUNTING SCREWS:

1/4-20 MACHINE SCREWS, HEAD TYPE AND LENGTH TO BE DETERMINED BY APPLICATION

FIG. 18 460 SERIES TANDEM ROLLER



*FULLY RETRACTED WHEEL POSITION-DIMENSION IS TO INSIDE WHEEL RADIUS
 **FULLY EXTENDED WHEEL POSITION-DIMENSION IS TO INSIDE WHEEL RADIUS

PART NO.	WHEEL MATERIAL
SD460	STEEL
ND460	NYLON

NOTE:

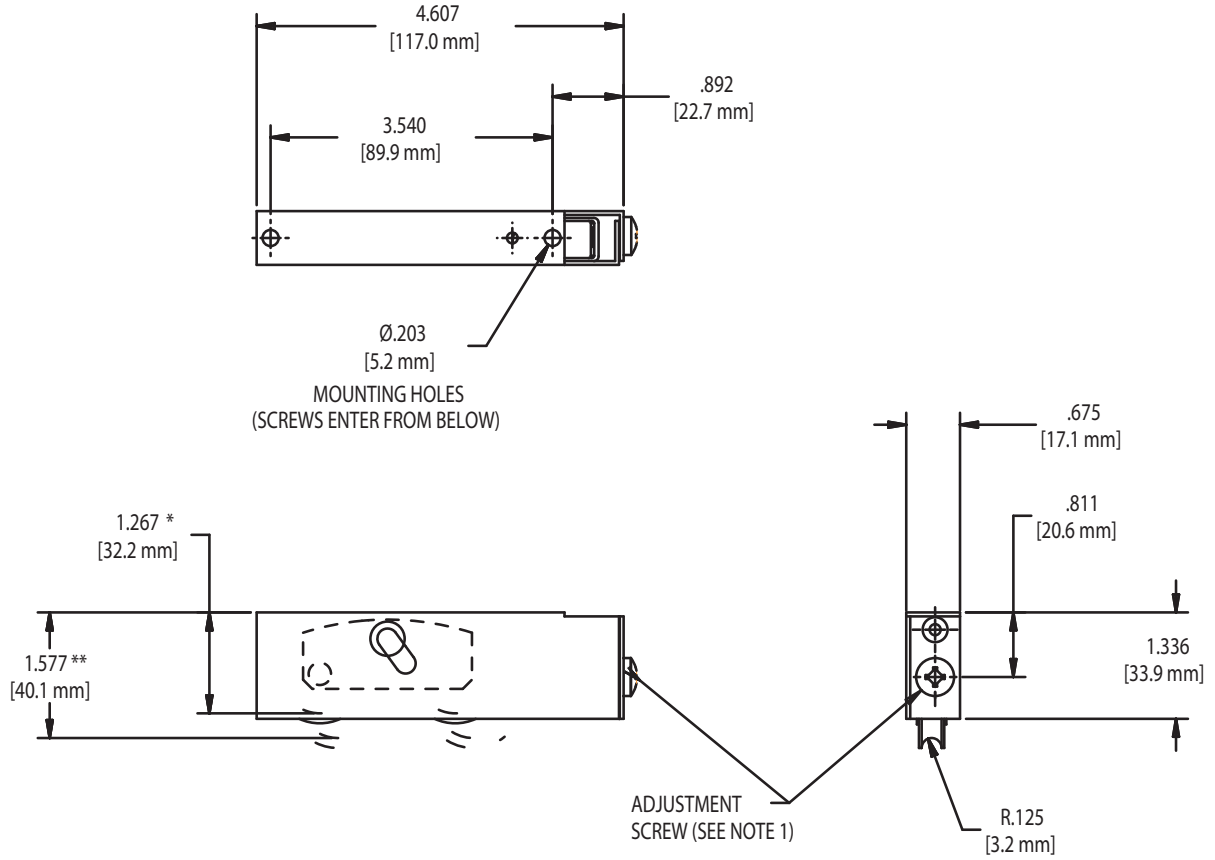
1. WHEN ORDERING SPECIFY DRIVER TYPE: #2 PHILLIPS OR ROBERTSON/#2 FLAT COMBINATION DRIVE

RECOMMENDED MOUNTING SCREWS:

(QTY 2) #10 PHILLIPS PAN HEAD, (LENGTH AND THREAD TYPE TO BE DETERMINED BY APPLICATION)

END ADJUST TANDEM ROLLERS

FIG. 19 SD461 SERIES ROLLER



*FULLY RETRACTED WHEEL POSITION-DIMENSION IS TO INSIDE WHEEL RADIUS
 **FULLY EXTENDED WHEEL POSITION-DIMENSION IS TO INSIDE WHEEL RADIUS

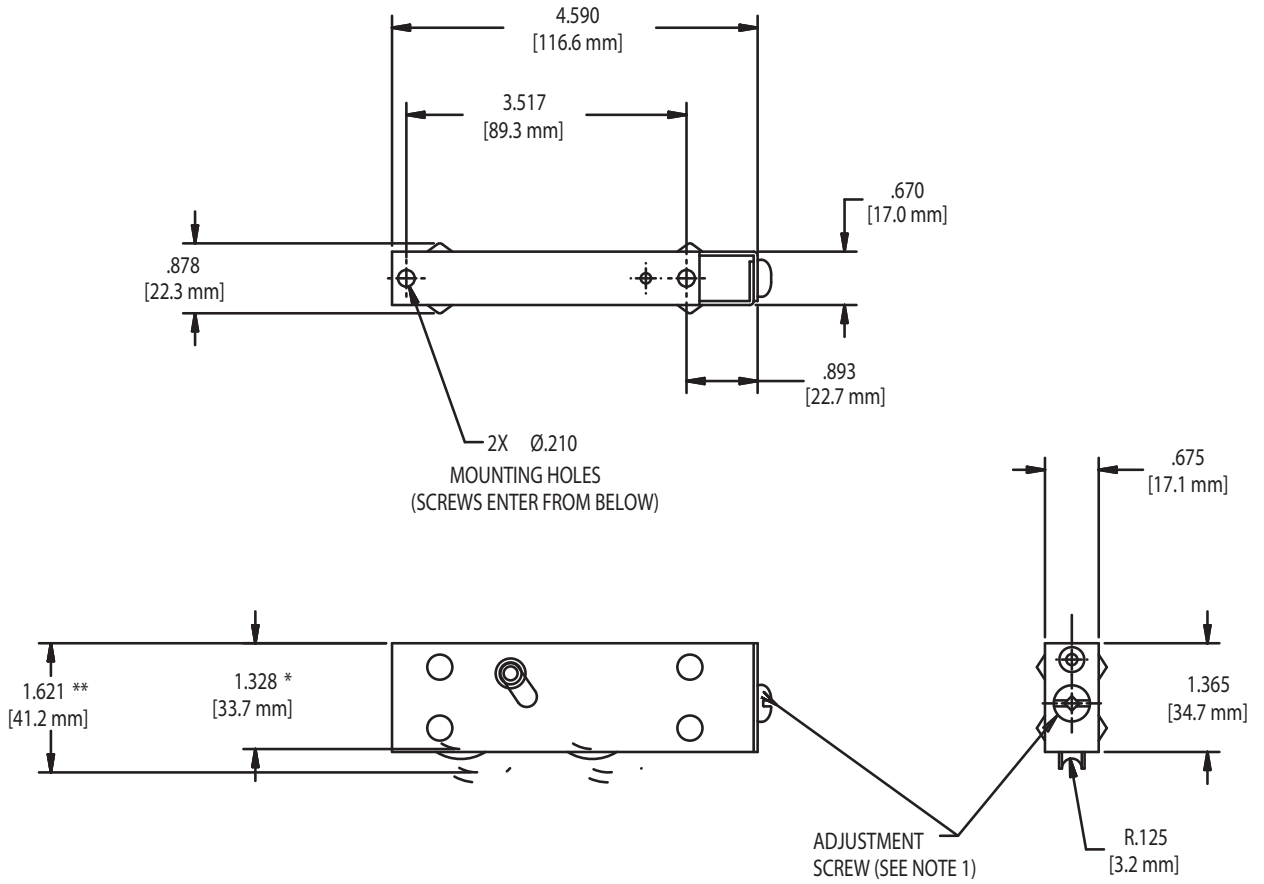
NOTE:

1. WHEN ORDERING SPECIFY DRIVER TYPE: #2 PHILLIPS OR ROBERTSON/#2 FLAT COMBINATION DRIVE

RECOMMENDED MOUNTING SCREWS:

(QTY 2) #10 PHILLIPS PAN HEAD SCREWS (LENGTH AND THREAD TYPE TO BE DETERMINED BY PROFILE)

FIG. 20 462 SERIES TANDEM ROLLER



*FULLY RETRACTED WHEEL POSITION-DIMENSION IS TO INSIDE WHEEL RADIUS
 **FULLY EXTENDED WHEEL POSITION-DIMENSION IS TO INSIDE WHEEL RADIUS

PART NO.	WHEEL MATERIAL
SD462	STEEL
ND462	NYLON

NOTE:

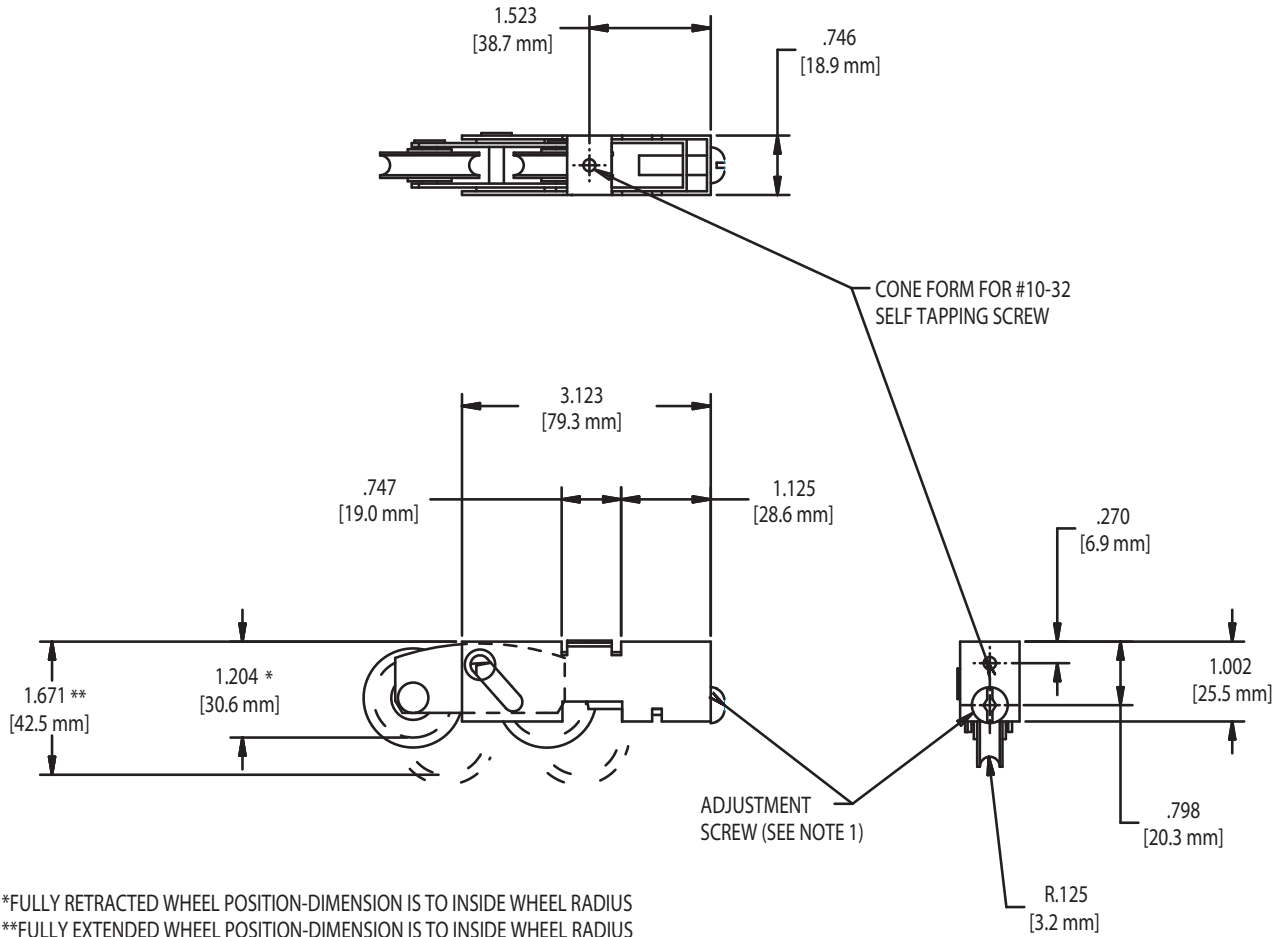
1. WHEN ORDERING SPECIFY DRIVER TYPE: #2 PHILLIPS OR ROBERTSON/#2 FLAT COMBINATION DRIVE

RECOMMENDED MOUNTING SCREWS:

(QTY 2) #10 PHILLIPS PAN HEAD SCREWS (LENGTH AND THREAD TYPE TO BE DETERMINED BY APPLICATION)

END ADJUST TANDEM ROLLERS

FIG. 21 740 AND 747 SERIES TANDEM ROLLER



*FULLY RETRACTED WHEEL POSITION-DIMENSION IS TO INSIDE WHEEL RADIUS
 **FULLY EXTENDED WHEEL POSITION-DIMENSION IS TO INSIDE WHEEL RADIUS

PART NO.	WHEEL MATERIAL	WHEEL DIAMETER
ND740	NYLON	1.25"
SD740	STEEL	1.25"
SD747	STEEL	1.00"

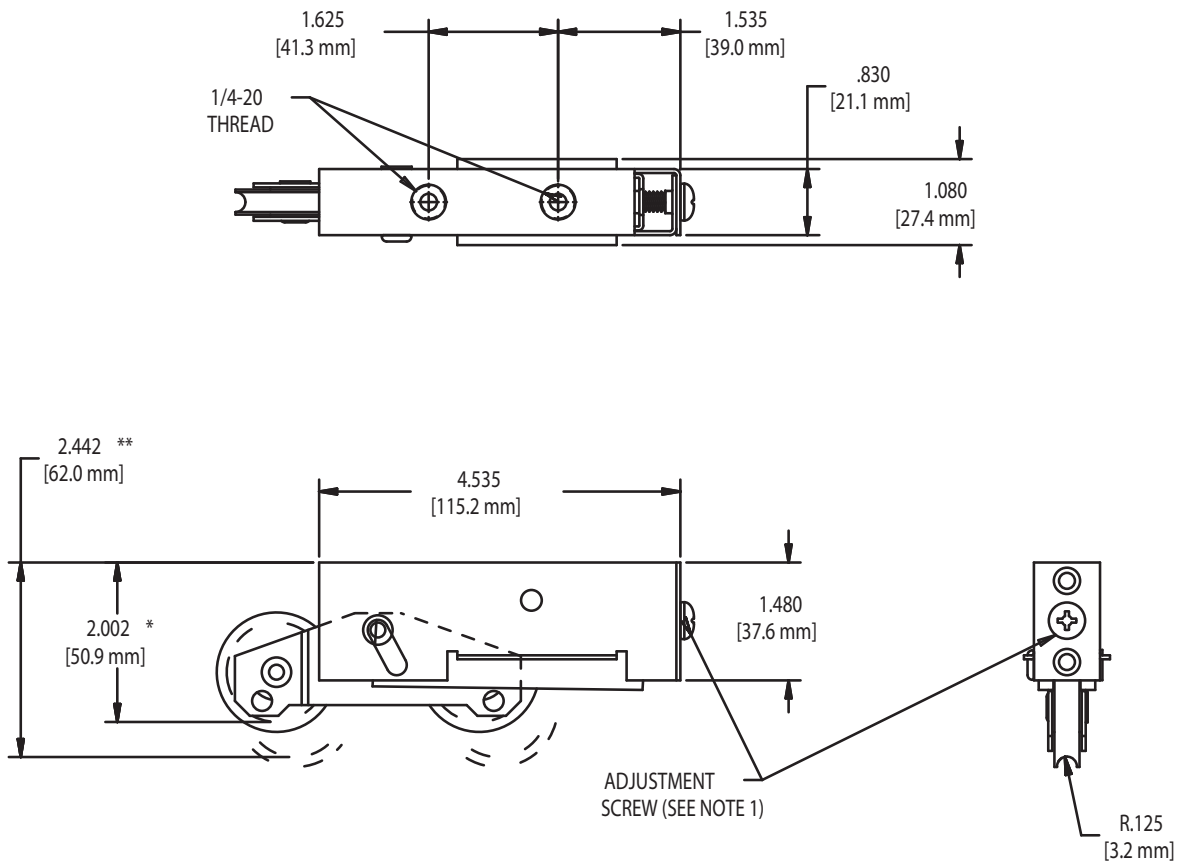
NOTE:

1. WHEN ORDERING SPECIFY DRIVER TYPE: #2 PHILLIPS OR ROBERTSON/#2 FLAT COMBINATION DRIVE

RECOMMENDED MOUNTING SCREWS:

1/4-20 MACHINE SCREWS, HEAD TYPE AND LENGTH TO BE DETERMINED BY APPLICATION

FIG. 22 SD850 TANDEM ROLLER



*FULLY RETRACTED WHEEL POSITION-DIMENSION IS TO INSIDE WHEEL RADIUS
 **FULLY EXTENDED WHEEL POSITION-DIMENSION IS TO INSIDE WHEEL RADIUS

NOTE:

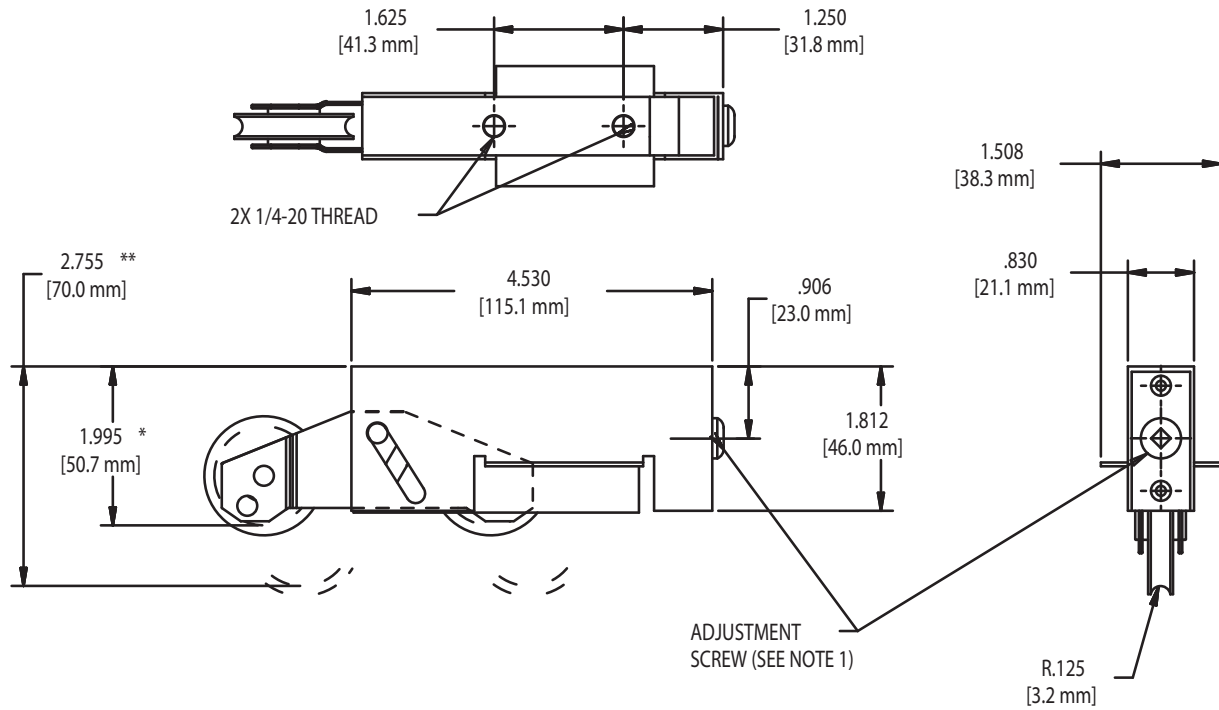
1. WHEN ORDERING SPECIFY DRIVER TYPE: #2 PHILLIPS OR ROBERTSON/#2 FLAT COMBINATION DRIVE

RECOMMENDED MOUNTING SCREWS:

(QTY 2) 1/4-20 MACHINE SCREWS, (HEAD TYPE AND LENGTH TO BE DETERMINED BY APPLICATION)

END ADJUST TANDEM ROLLERS

FIG. 23 SD854 TANDEM ROLLER



*FULLY RETRACTED WHEEL POSITION-DIMENSION IS TO INSIDE WHEEL RADIUS
 **FULLY EXTENDED WHEEL POSITION-DIMENSION IS TO INSIDE WHEEL RADIUS

NOTE:

1. WHEN ORDERING SPECIFY DRIVER TYPE: #2 PHILLIPS OR ROBERTSON/#2 FLAT COMBINATION DRIVE

RECOMMENDED MOUNTING SCREWS:

(QTY 2) 1/4-20 MACHINE SCREWS, (HEAD TYPE AND LENGTH TO BE DETERMINED BY APPLICATION)



Engineered with an easily accessible adjustment feature located on the end of the case these rollers offer maximum vertical adjustment for carpet clearance and alignment of the panel.

FEATURES:

- Mounting tap is designed to match extrusion profile for positive positioning. Custom designs available.
- 1.25" wheel diameter.
- Adjustment range exceeds 3/8" inches.
- Snap-in tabs on each side of the housing engage matching openings or extrusion rib in the sides of the rail. Dimples on top of the housing position this roller in the rail.

COMPETITIVE ADVANTAGE

Truth's high quality radial ball bearing-equipped rollers encompass a unique advantage in that we manufacture our own ball bearings. This allows Truth complete control over all aspects of design and production of our roller assemblies. While others may use soft stamped metal parts in the production of their wheels, Truth's bearing raceways are machined from solid steel bar stock and then heat treated for wear resistance and plated for corrosion resistance. This method provides the longest lasting, true running rollers capable of carrying the heaviest loads.

WARRANTY: Protected under the terms of the "Truth Warranty for Window & Door Manufacturers & Authorized Distributors". Refer to Truth's Terms & Conditions for further details.

MATERIAL: Heavy duty housing and adjustment mechanism is cold-rolled steel. Steel ball bearing wheels are supplied with nylon tires. Other options may be available, please contact Truth.

FINISH: All steel parts are zinc plated for corrosion resistance.

ORDERING INFORMATION AND OPTIONS:

1. Choose style of roller desired.

Note: If your application requires a modification to one of our standard rollers, or a complete new design, our staff and facilities are equipped to



promptly handle your needs. Please contact Truth Hardware for assistance.

- To establish the initial specification for a roller application we need the following information:
- Wheel diameter
- Radius of the track crown.
- Internal width and internal height of the bottom rail.
- Maximum load to which rollers will be subjected.

TRUTH TIPS:

1. When a sliding Patio Door system has an aluminum track (rail), a patio door roller with a nylon wheel must be used. If a steel wheel is used, gauling will occur, resulting in short track life.
2. Truth does not recommend adjusting patio door rollers with power drivers, as it is possible to apply too much torque and damage the adjustment mechanism.

INCLUDE TRUTH SPECS ON YOUR NEXT PATIO DOOR PROJECT

Ball bearing roller assemblies must be provided which allow easy height adjustment and installation. Sliding door rollers shall be 1910 Series Adjustable Single Roller Assemblies as manufactured by Truth Hardware.

Product Comparison Chart

Roller Assembly No.	Roller Dia.	AAMA Certified**	Max. Door Wt.*	See Figure Number
1910-5275	1.25 (31.8 mm)	No	150 (68 Kg.)	1
1910-5900	1.25 (31.8 mm)	No	150 (68 Kg.)	2

* Two roller assemblies per door

** Our AAMA certifications are being updated constantly. Please consult AAMA's Verified Components List for an up to date listing of certified patio door roller products.

1910 SINGLE WHEEL PATIO DOOR ROLLERS

FIG. 1 1910-5275 SINGLE ROLLER (NYLON WHEEL)

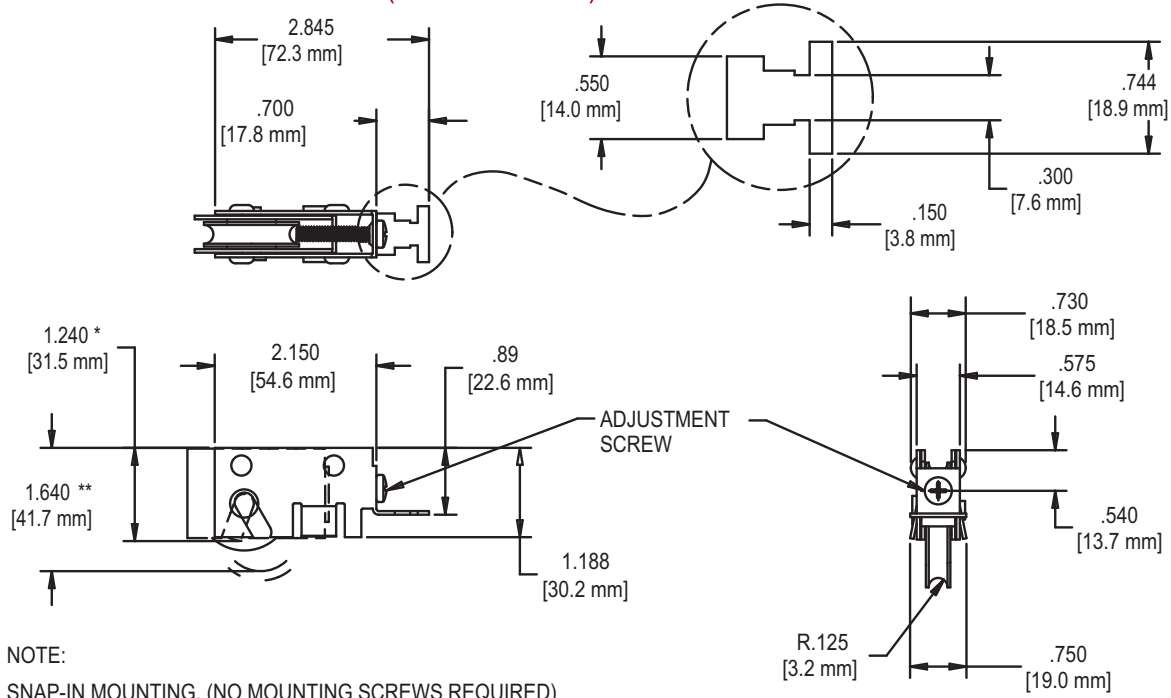
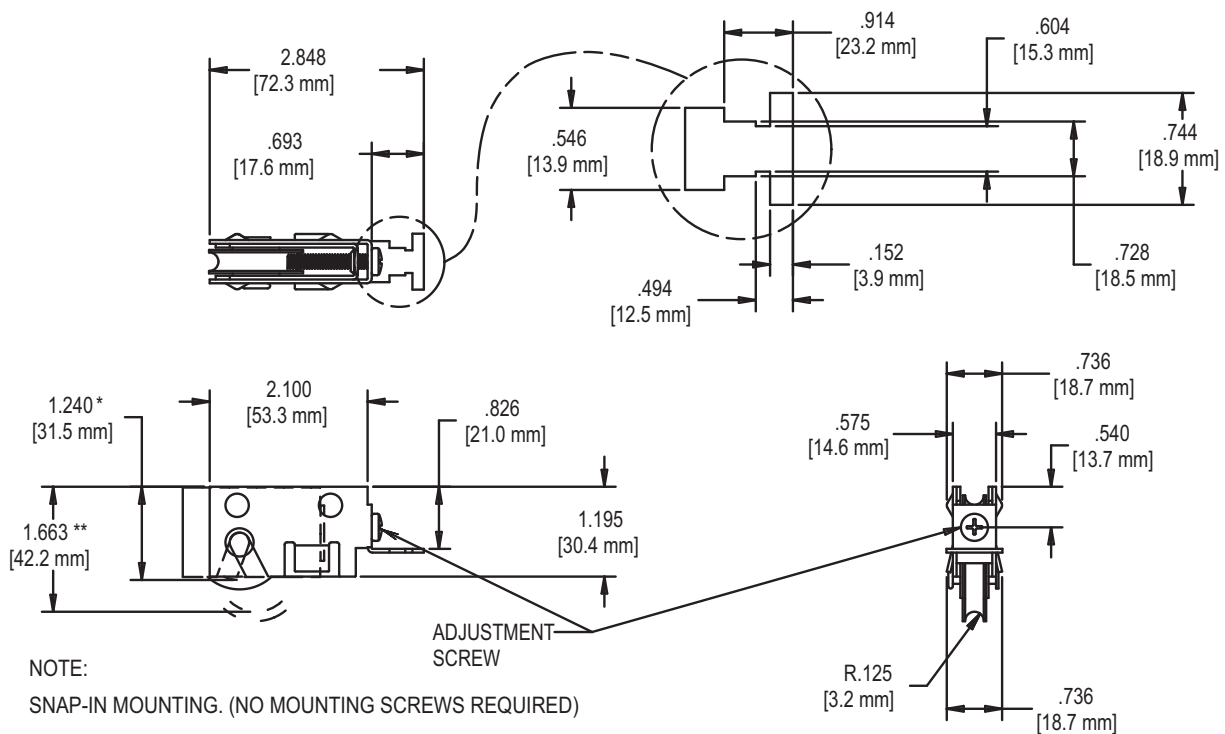


FIG. 2 1910-5900 SINGLE ROLLER (NYLON WHEEL)





Truth Hardware offers a variety of tension spring rollers for use on screen door systems. Available with high quality radial ball bearing-equipped rollers and nylon wheels for long lasting quiet performance these rollers encompass Truth Hardware's unique advantage in that we manufacture our own ball bearings. This allows Truth complete control over all aspects of design and production of our roller assemblies. While others may use soft stamped metal parts in the production of their wheels, Truth's bearing raceways are machined from solid steel bar stock and then plated for corrosion resistance. This method provides the longest lasting true running rollers capable of carrying the heaviest loads.

WARRANTY: Protected under the terms of the "Truth Warranty for Window & Door Manufacturers & Authorized Distributors". Refer to Truth's Terms & Conditions for further details.

ORDERING INFORMATION AND OPTIONS:

Choose the style of rollers desired from the following drawings which best suits your application. Contact Truth Hardware Technical Services Department if assistance is needed.

TRUTH TIPS:

1. Most screen door rollers have a tension spring to apply downward pressure to keep the roller on track should the screen door be inadvertently lifted during operation.
2. Some screen door roller models are available with a retention dimple. Retention dimples retain the roller in a collapsed position to aid in installation.

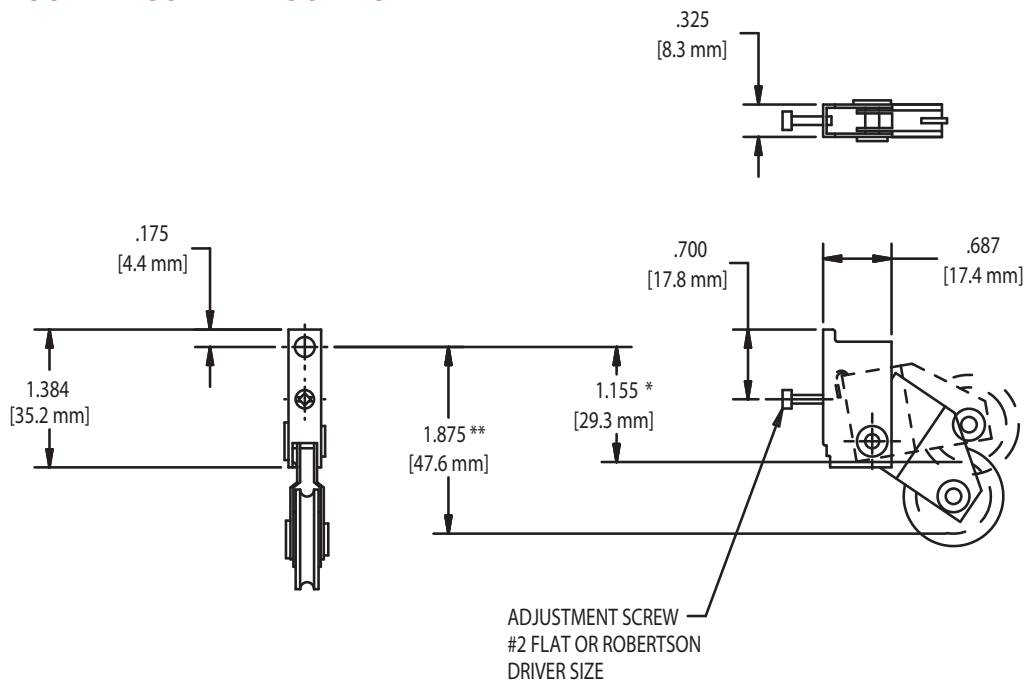
RECOMMENDED SCREWS:

Types of screws required determined by material of profile used. Refer to drawings for complete information on screw type and quantity needed (sold separately).



SCREEN ROLLERS

FIG. 1 END MOUNTED SCREEN DOOR ROLLER



*FULLY RETRACTED WHEEL POSITION-DIMENSION IS TO INSIDE WHEEL RADIUS

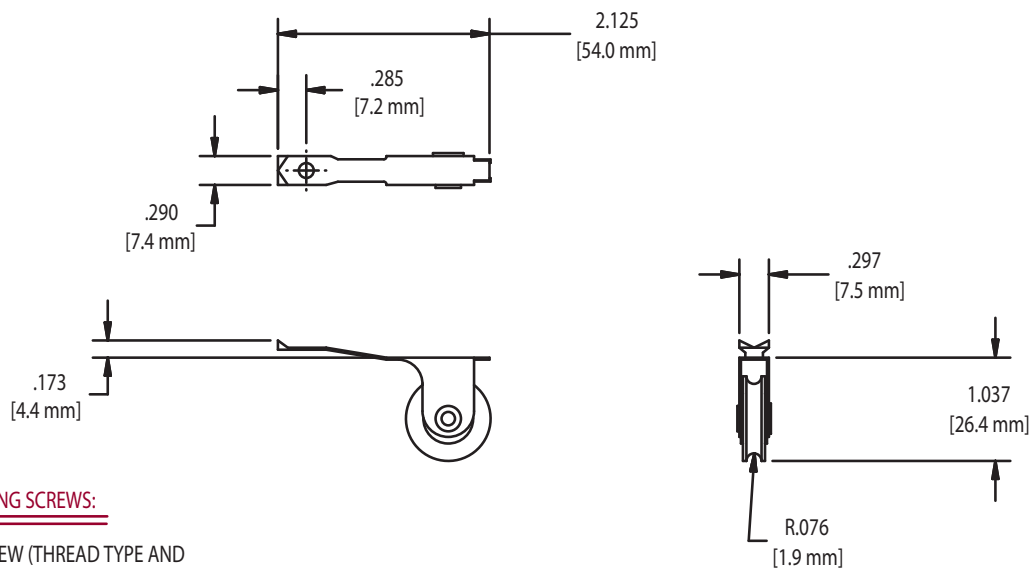
**FULLY EXTENDED WHEEL POSITION-DIMENSION IS TO INSIDE WHEEL RADIUS

RECOMMENDED FASTENERS:

(QTY 1) 3/16 POP RIVET. GRIP RANGE TO SUIT APPLICATION

P/N	SPRING LOADED	RETENTION DIMPLE (SEE TRUTH TIPS)
NS282	YES	YES
NS285	YES	NO
NS288	NO	YES

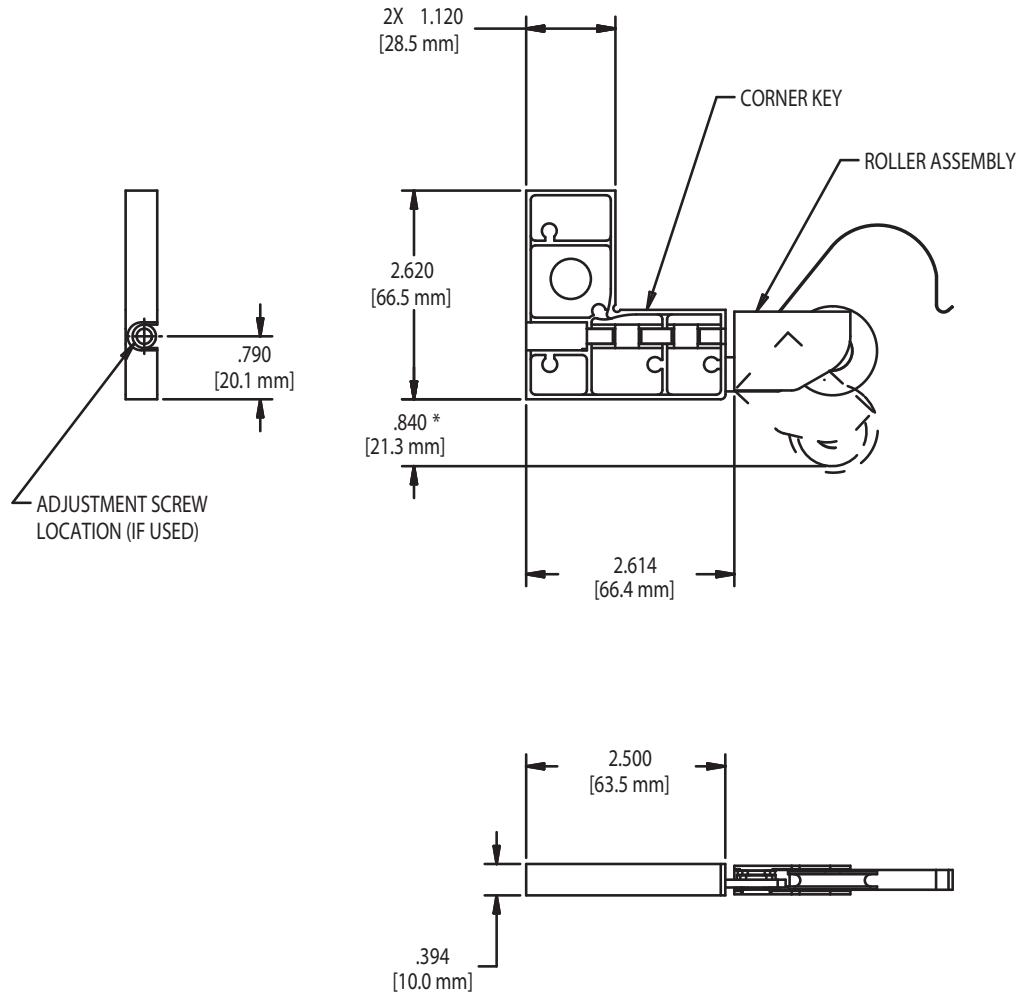
FIG. 2 NS760 SCREEN DOOR ROLLER



RECOMMENDED MOUNTING SCREWS:

(QTY 1) #6 PAN HEAD SCREW (THREAD TYPE AND LENGTH TO BE DETERMINED BY APPLICATION)

FIG. 3 500 SERIES CORNER KEY COMBINATION ROLLER



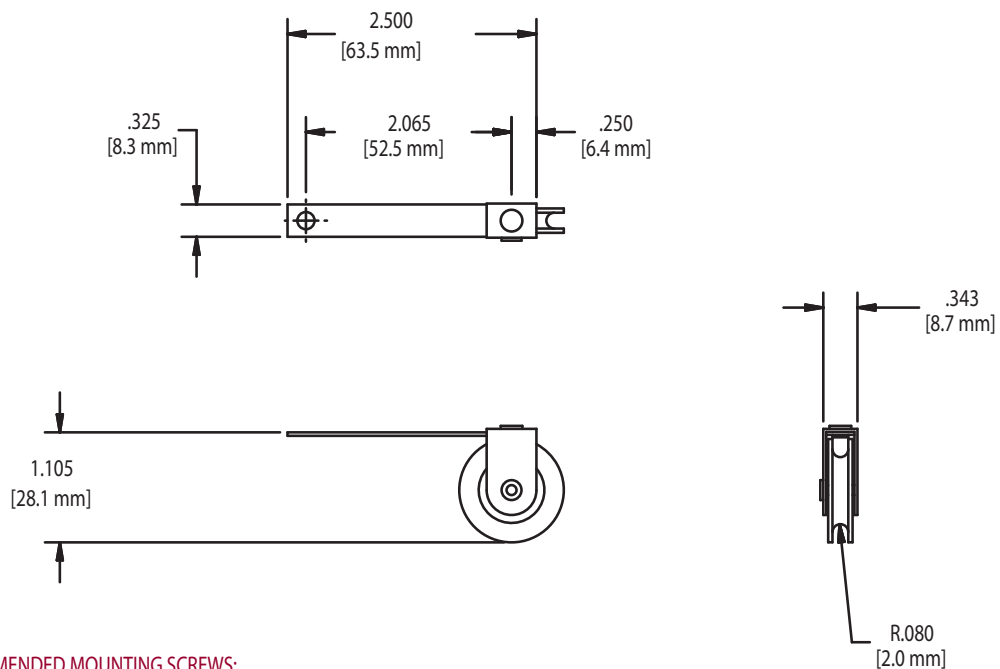
*FULLY EXTENDED WHEEL POSITION-DIMENSION IS TO INSIDE OF WHEEL RADIUS

DESCRIPTION	ORDER NUMBER
CORNER KEY ONLY	RS503
CORNER KEY W/ROLLER*	RS502 & SS500

*ADJUSTMENT SCREW INCLUDED (SUPPLIED WITH ROBERTSON DRIVE UNLESS OTHERWISE SPECIFIED)

SCREEN ROLLERS

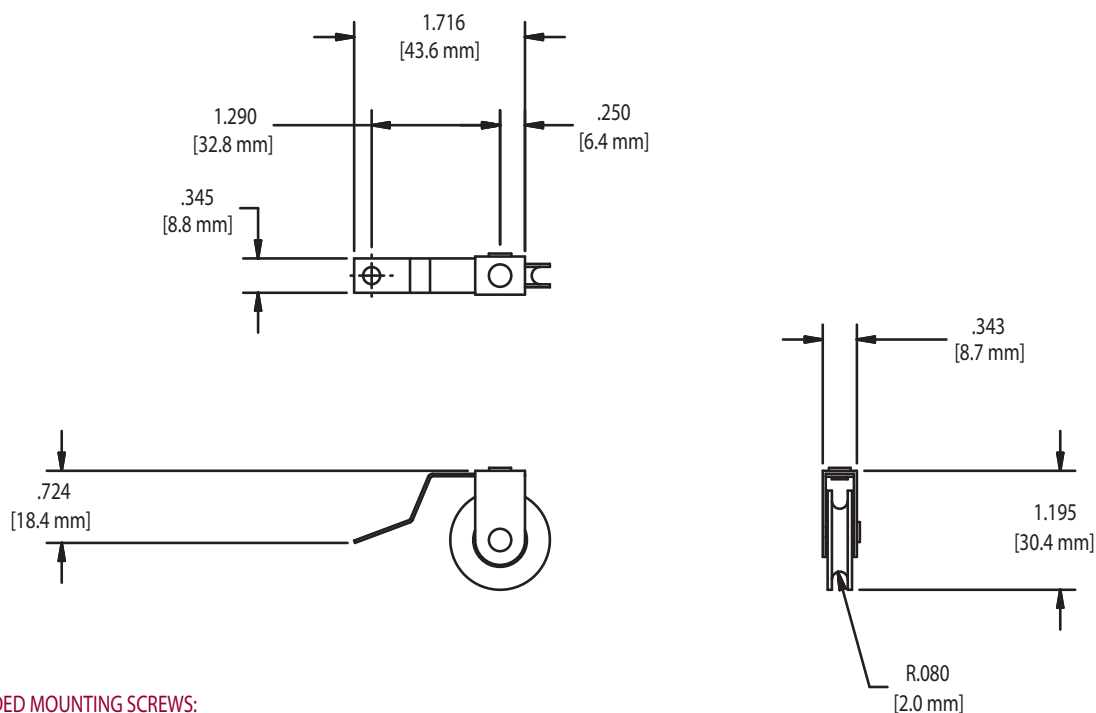
FIG. 4 4521-1061 SCREEN DOOR ROLLER



RECOMMENDED MOUNTING SCREWS:

(QTY 1) #8 PHILLIPS PAN HEAD SCREW (LENGTH AND
THREAD TYPE TO BE DETERMINED BY APPLICATION)

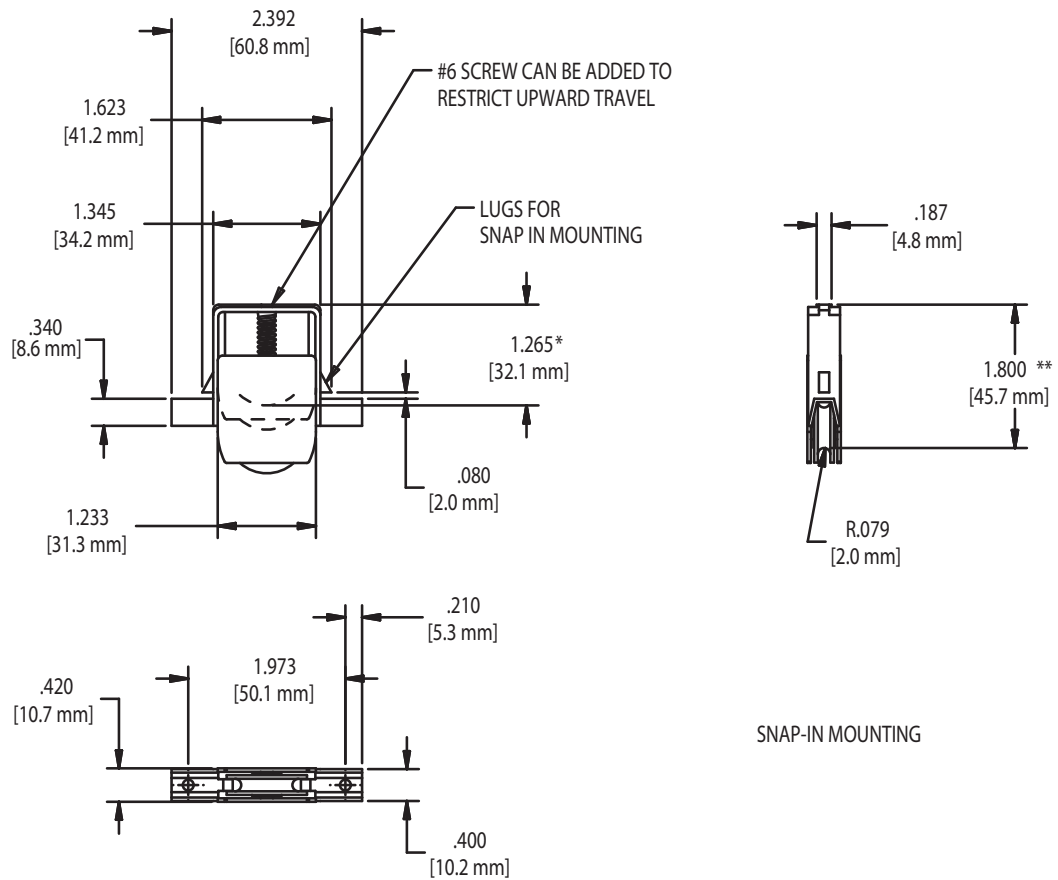
FIG. 5 4639-1061 SCREEN DOOR ROLLER



RECOMMENDED MOUNTING SCREWS:

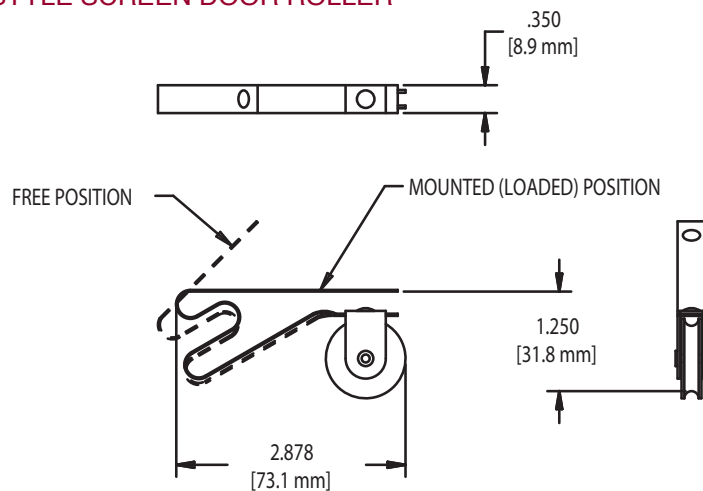
(QTY 1) #8 PHILLIPS PAN HEAD SCREW (LENGTH AND
THREAD TYPE TO BE DETERMINED BY APPLICATION)

FIG. 6 4518-1000 SCREEN DOOR ROLLER



*FULLY RETRACTED WHEEL POSITION-DIMENSION IS TO INSIDE WHEEL RADIUS
 **FULLY EXTENDED WHEEL POSITION-DIMENSION IS TO INSIDE WHEEL RADIUS

FIG. 7 4512-3042 "M" STYLE SCREEN DOOR ROLLER



RECOMMENDED MOUNTING SCREWS:

(QTY 1) #10 PHILLIPS PAN HEAD SCREW (LENGTH AND THREAD TYPE TO BE DETERMINED BY APPLICATION)

Truth's new patio door handle sets are distinctive choices that add a unique signature to your patio doors.

UNIQUE STYLING:

The Signature Series by Truth Hardware has a new contour shape which is both elegant in style and easy to grasp. Compatible with industry standard single or multi-point mortise locks, Truth's Signature Series are available with optional key lock cylinders and inactive configurations for OXXO doors.

All Truth Signature Series Handle sets have been engineered to fit stile thicknesses ranging from 1.25" to 2.25". The extended bosses on both the inside and outside escutcheons enhance the handle stability for more secure operation.

SIGNATURE SERIES #40.94 - #40.97 MODELS:

The premier handle set in this new series is designed to accent today's larger patio doors. With a new contoured handle shape which is both elegant and easy to grasp, these models complement other Signature Series models to give you a "better/best" family look platform.

13" long and 1-1/4" wide escutcheons are available in 4 different style options to help you customize the look of your door.

The locking point on these models is located above the handle to provide easy access to the thumbturn or optional key cylinder. The stylized thumbturn incorporates a similar look to the escutcheon design offering a subtle connection between the two.

SIGNATURE SERIES #40.90 - #40.93 MODELS:

Truth's #40.90 - #40.93 Signature Series models offer industry standard mounting hole spacing for easy conversion or as an upgrade to your current system. These Signature Series models may be combined with Truth's standard outside pulls for differentiated appearance and price points. The optional key lock cylinder can be offset to maximize accessibility of the handle.

10" long and 1" wide escutcheons adapt nicely to slimmer door profiles and are available in four different style



options. In addition, the locking lever actuator offers complementary styling to the handle's contour shape.

Truly better from every perspective, Truth's Signature Series Handle Sets have that elegant look and feel which will enhance any size patio door.

MATERIAL & FINISHES:

Available in all of Truth's plated decorative finishes on a solid brass base and in Truth's traditional decorative finishes over a zinc base. Paint finishes are electrostatically applied, durable coatings that provide excellent resistance to chipping, scratching and corrosion while maintaining color stability for years in direct sunlight. Please refer to Truth's Color Chart for examples of Truth's most popular finish options.

WARRANTY:

Protected under the terms of the Truth Warranty for Window and Door Manufacturers and Authorized Distributors. Refer to Truth's Terms & Conditions for further details.

ORDERING INFORMATION:

To customize the hardware package containing the specific items you require for your door system, please select from the following options:

1. Order item numbers 40.94 through 40.97 for Signature Series Handle Set with thumb turn above the handle (See Fig. 1 for style options). OR

Order item numbers 40.90 through 40.93 for Signature Series Handle Set with lever centered within the handle (See Fig. 4 for style options).

2. Specify finish

3. Select Mortise Lock item number (see 2-Point Mortise Lock or Handle Set Accessories Sections).

4. Select Keeper (See Handle Set Accessories Section – Keeper Options)

TRUTH TIPS:

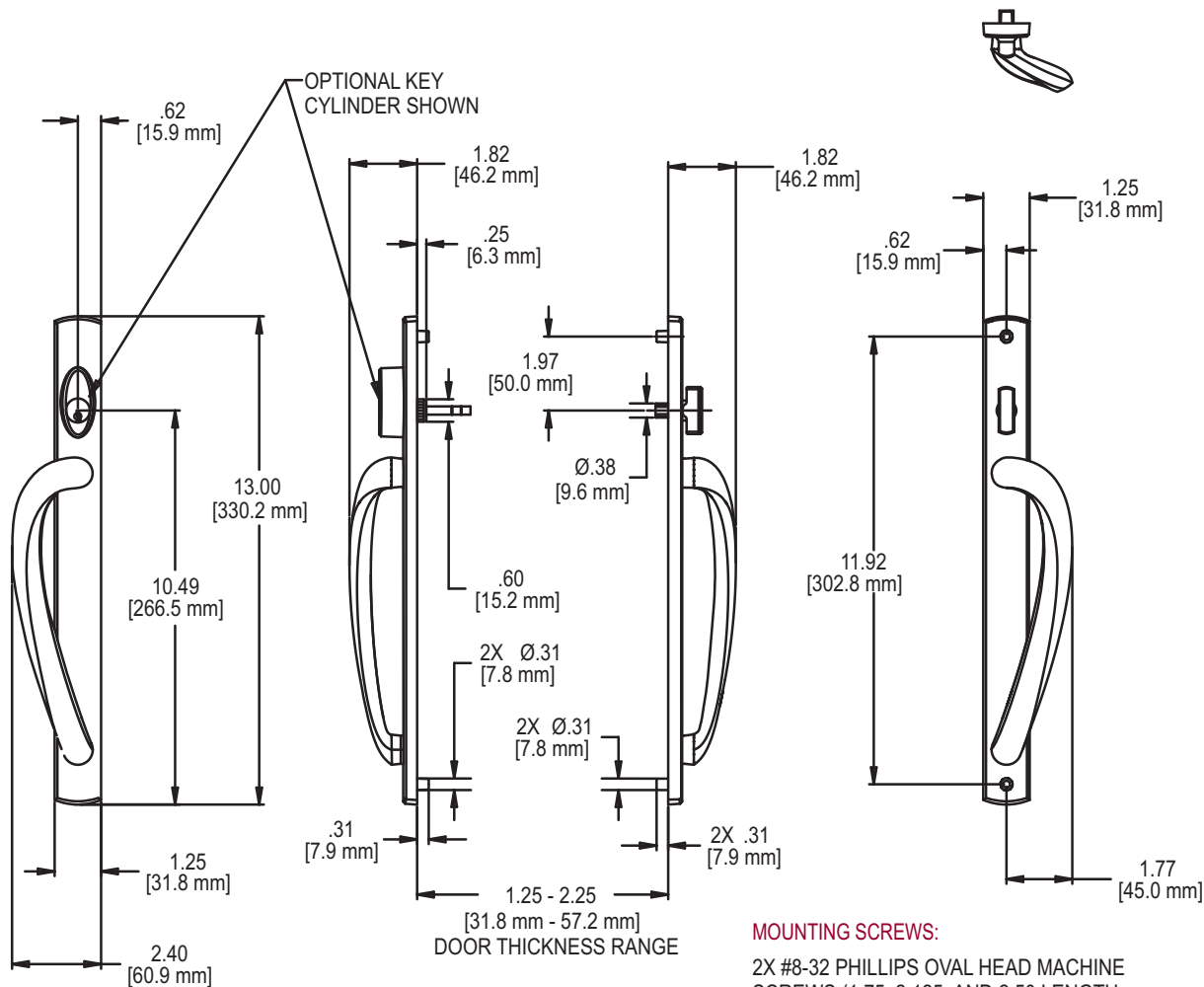
1. A Truth Hardware Secondary Patio Door Lock or Limiter can be added for applications requiring additional security.

2. Bumper guards (Truth item number 22082.XX), to keep door sash from contacting the opposite jamb during its travel, are highly recommended (See Handle Set Accessories Section).

3. The use of frame adjusters (Jamb Jacks) is recommended for easy correction of out of square or racked door installations. Frame adjustment can improve both weather seal tightness and door operation over the life of the door.

SIGNATURE SERIES PATIO DOOR HANDLE SETS

FIG. 1 SIGNATURE SERIES PATIO DOOR HANDLE 40.94 THROUGH 40.97



THUMB TURN WITHOUT KEY CYLINDER VERSION

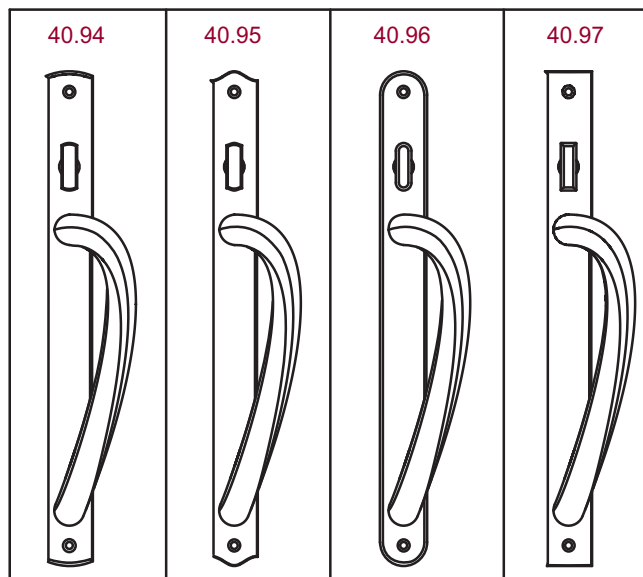
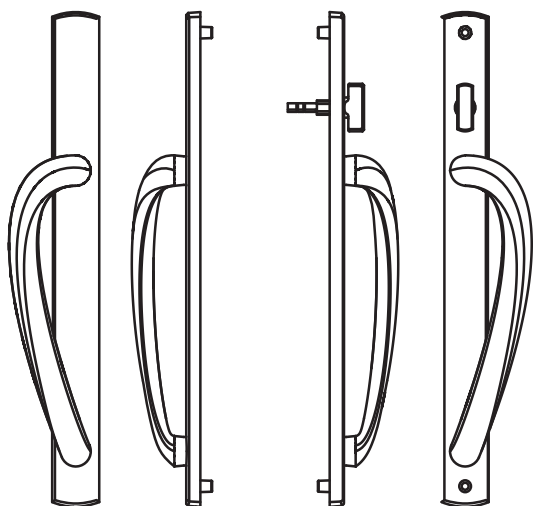
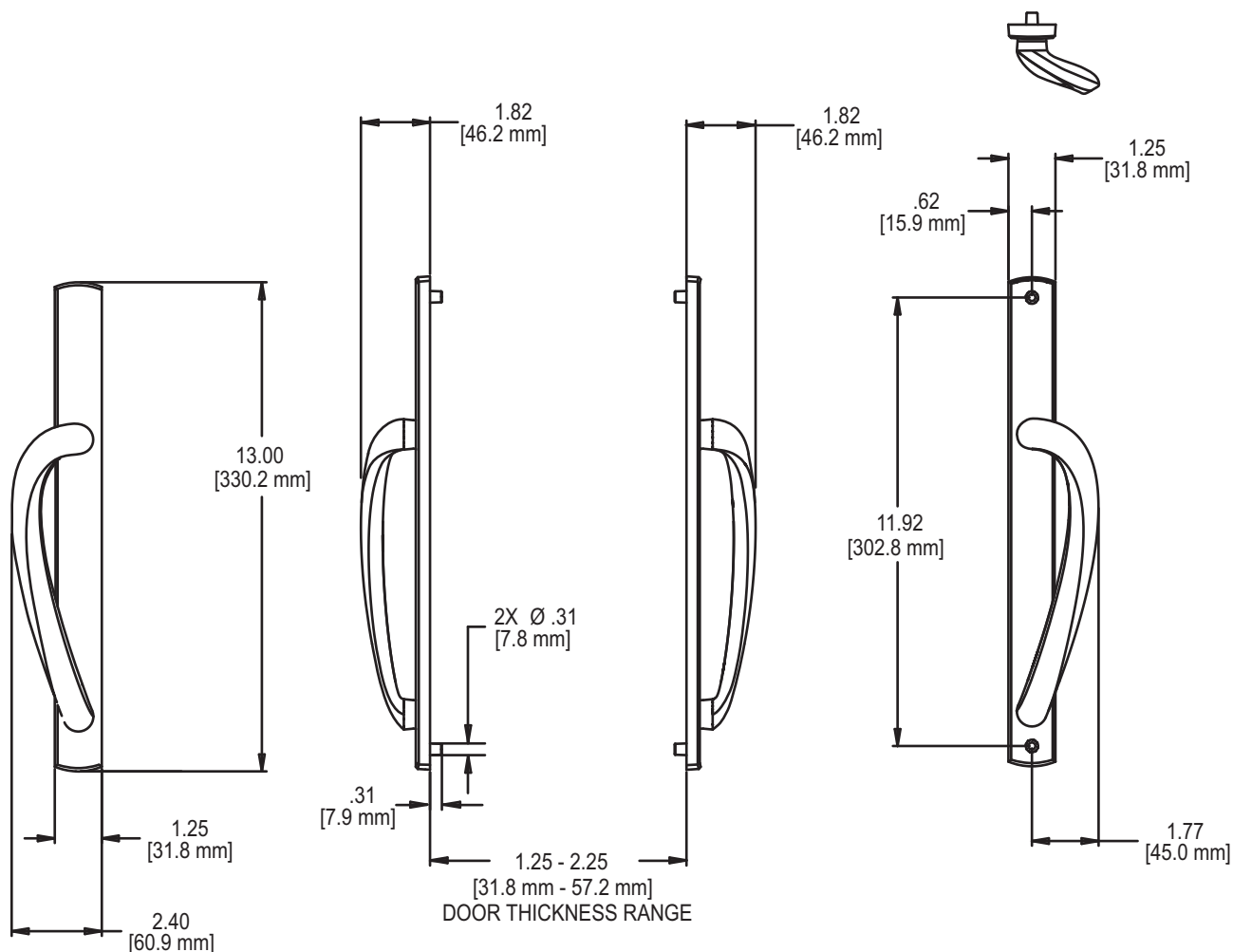
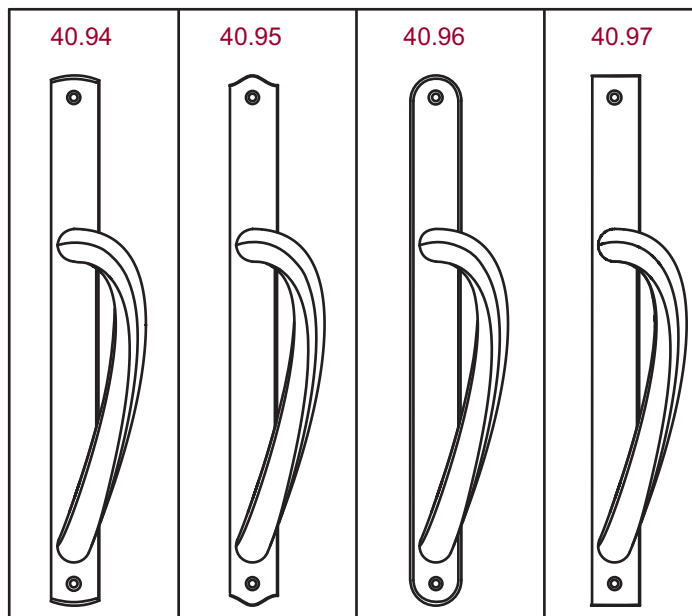


FIG. 2 SIGNATURE SERIES PATIO DOOR HANDLE 40.94 THROUGH 40.97 (DUMMY SET)



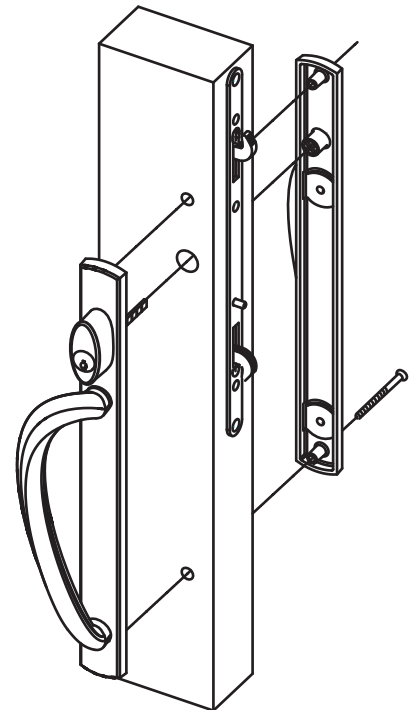
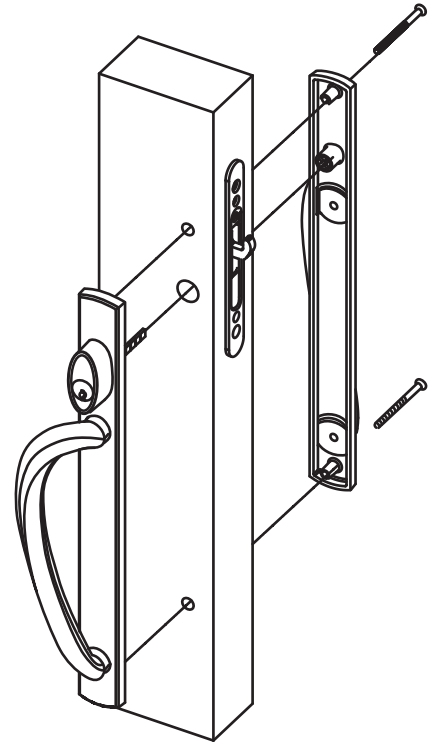
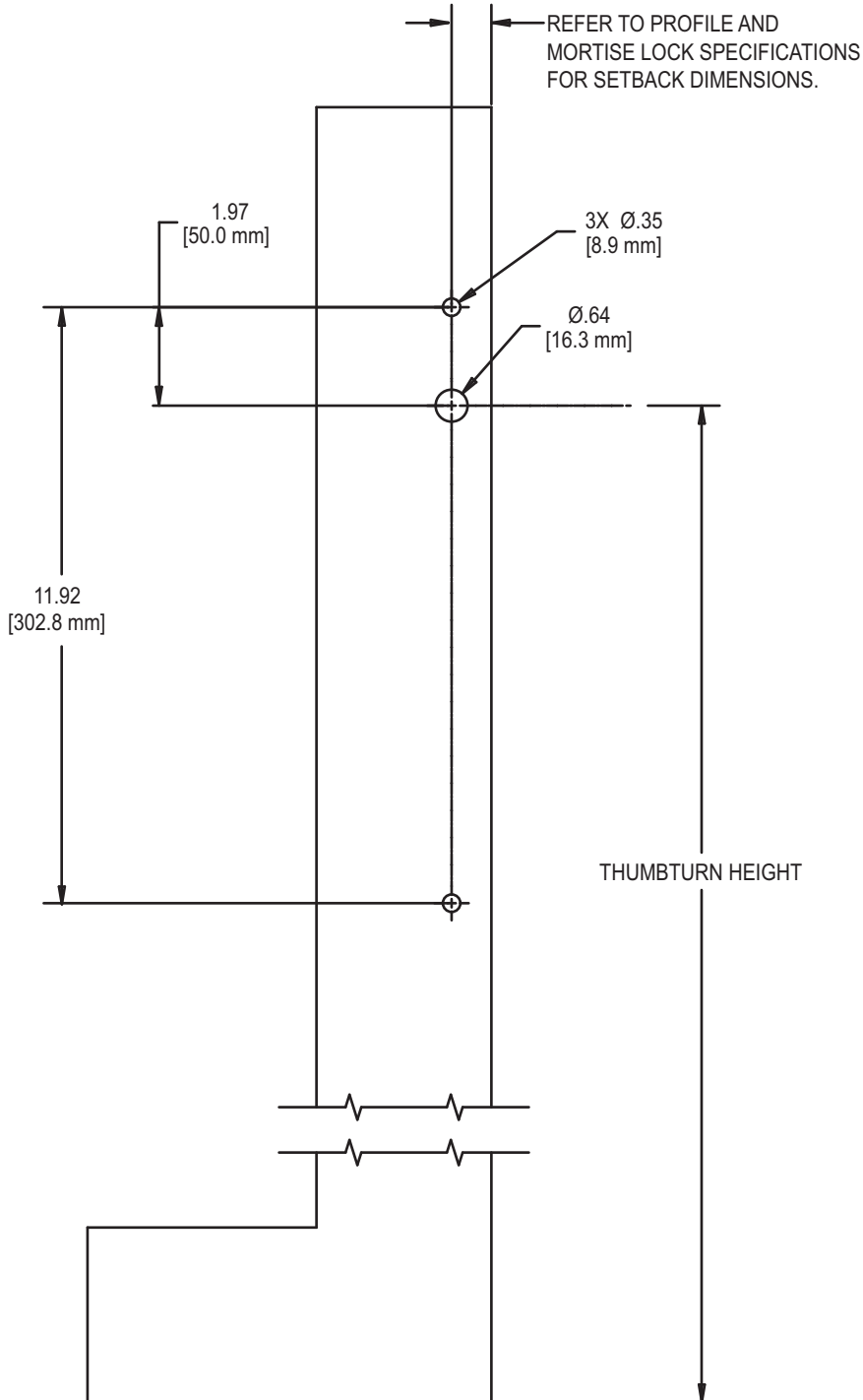
MOUNTING SCREWS:

2X #8-32 PHILLIPS OVAL HEAD MACHINE SCREWS (1.75, 2.125, AND 2.50 LENGTH SCREWS ARE PROVIDED IN THE KIT TO FIT STILE THICKNESSES RANGING FROM 1.25 TO 2.25).

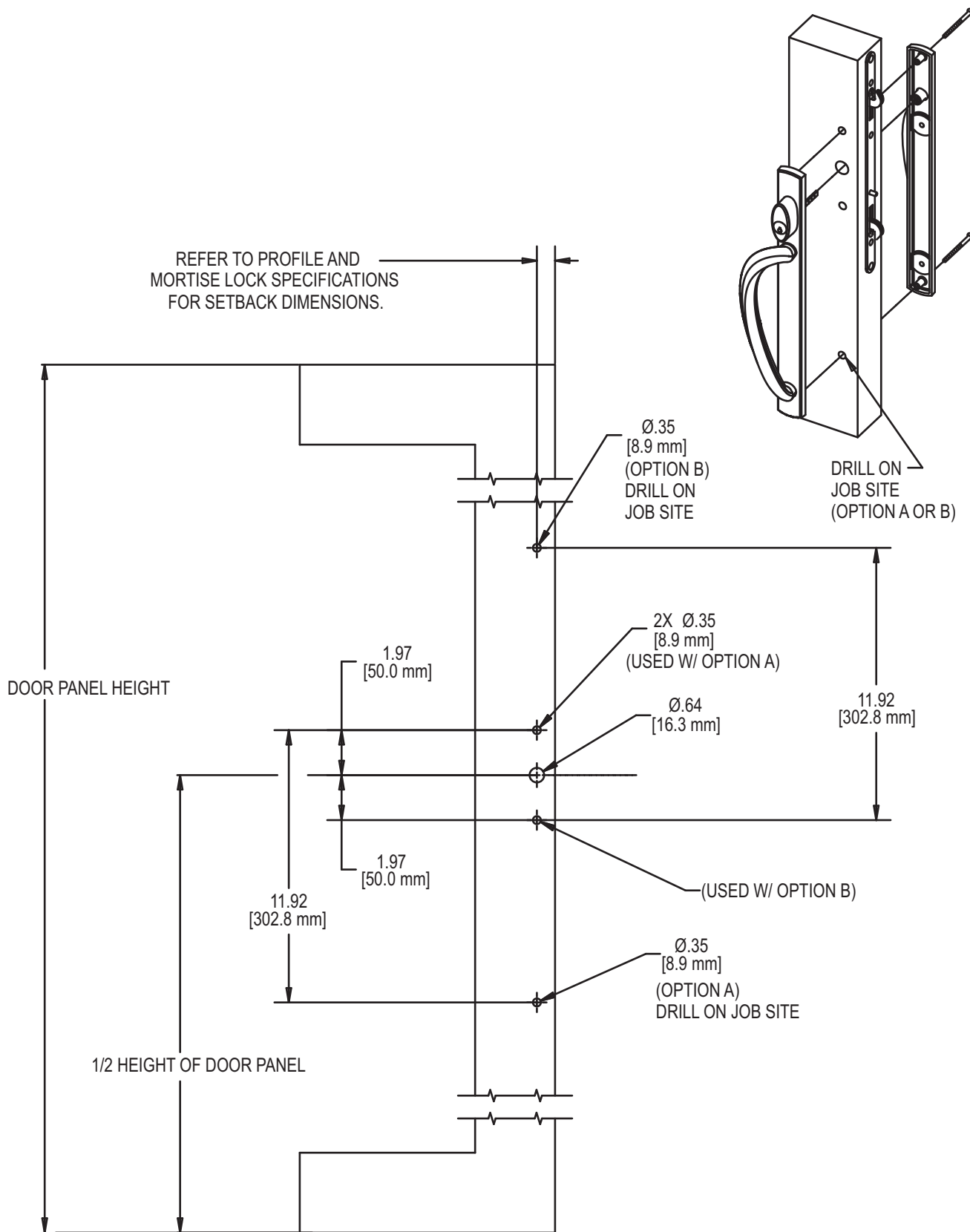


SIGNATURE SERIES PATIO DOOR HANDLE SETS

FIG. 3 SIGNATURE SERIES PATIO DOOR HANDLE APPLICATION
(STANDARD APPLICATION)

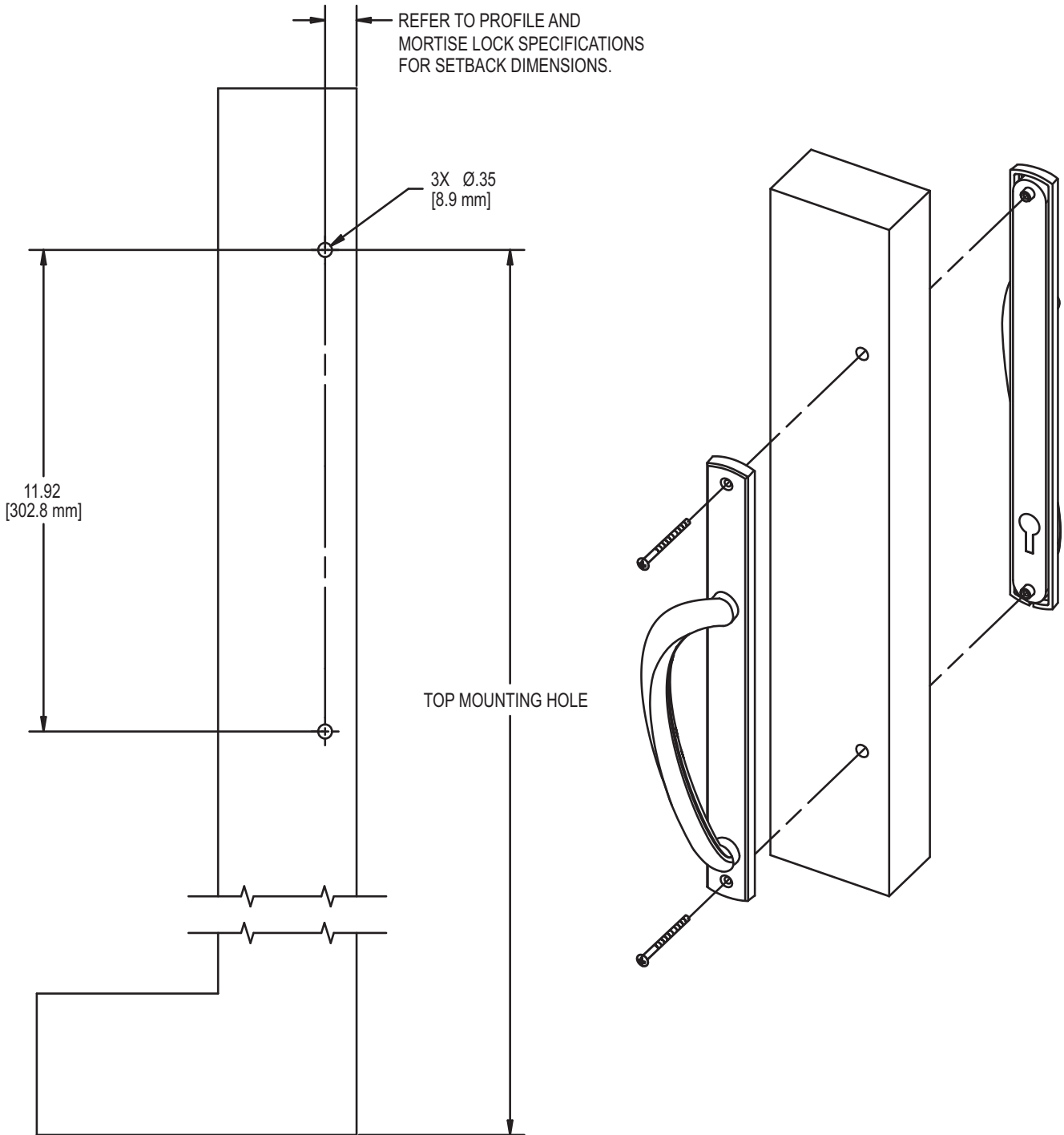


**FIG. 4 SIGNATURE SERIES PATIO DOOR HANDLE APPLICATION
(CARTWHEEL APPLICATION)**

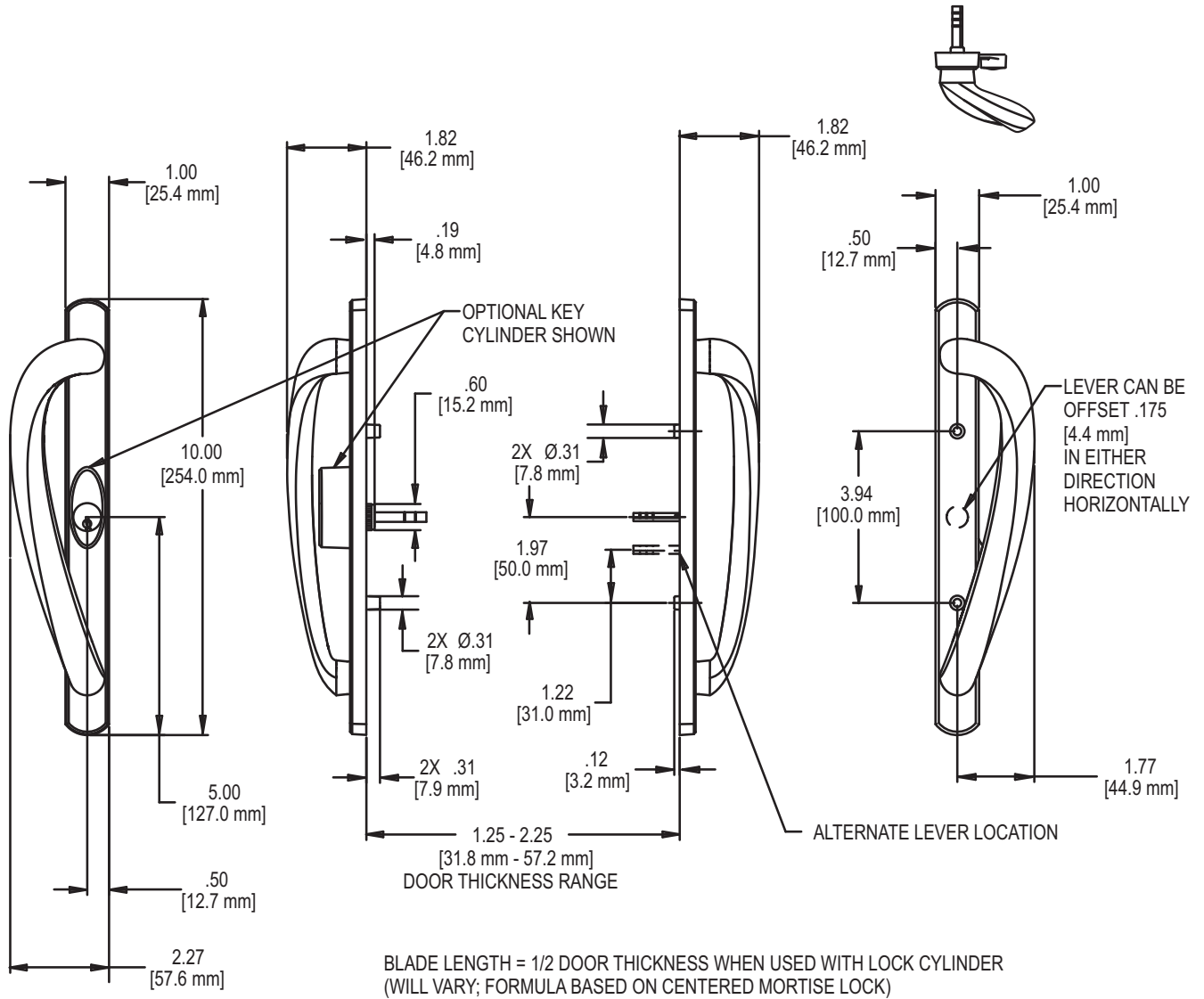


SIGNATURE SERIES PATIO DOOR HANDLE SETS

FIG. 5 SIGNATURE SERIES PATIO DOOR HANDLE APPLICATION
(DUMMY APPLICATION)

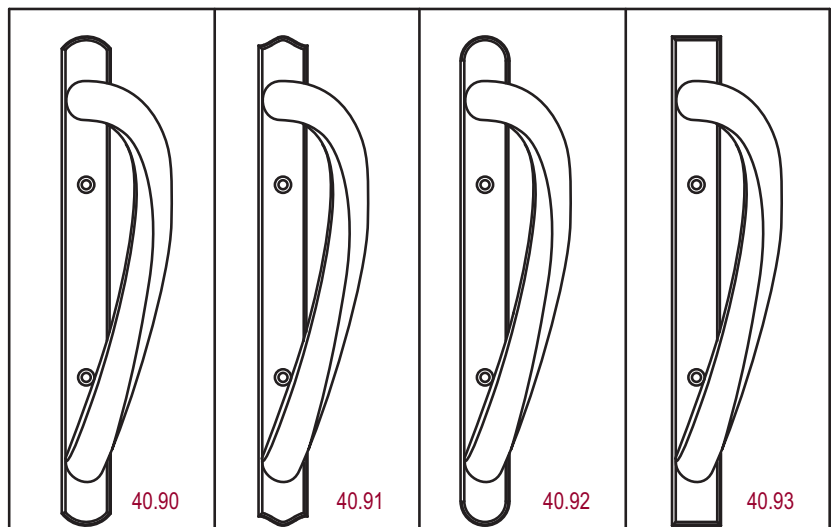


**FIG. 6 SIGNATURE SERIES PATIO DOOR HANDLES
40.90 THROUGH 40.93**



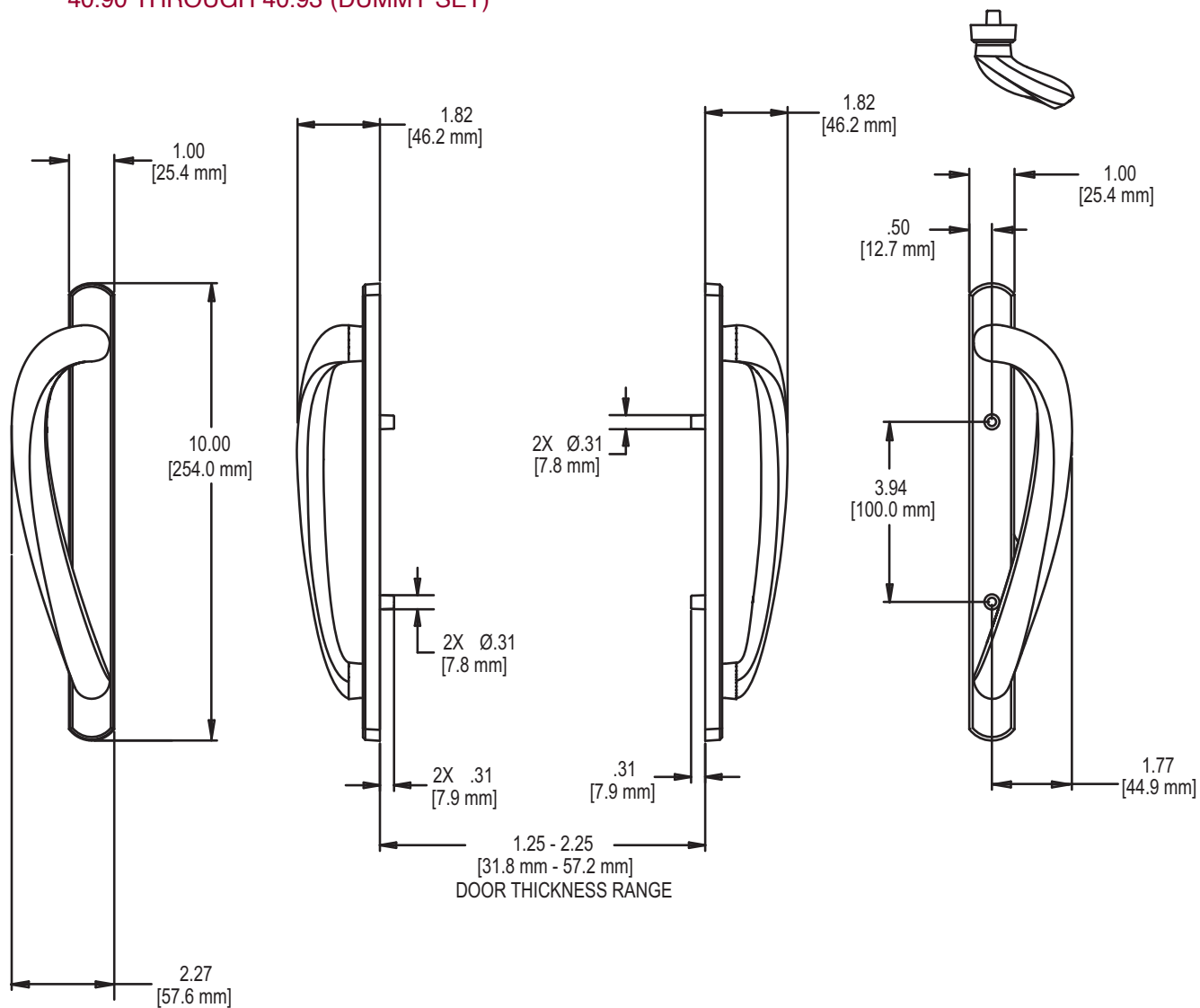
MOUNTING SCREWS:

2X #8-32 PHILLIPS OVAL HEAD MACHINE SCREWS (1.75, 2.125, AND 2.50 LENGTH SCREWS ARE PROVIDED IN THE KIT TO FIT STILE THICKNESSES RANGING FROM 1.25 TO 2.25).



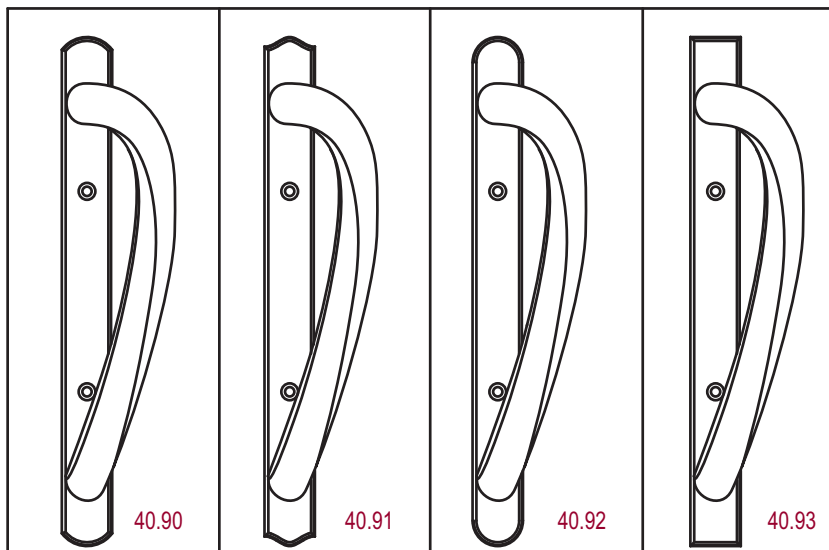
SIGNATURE SERIES PATIO DOOR HANDLE SETS

FIG. 7 SIGNATURE SERIES PATIO DOOR HANDLES
40.90 THROUGH 40.93 (DUMMY SET)

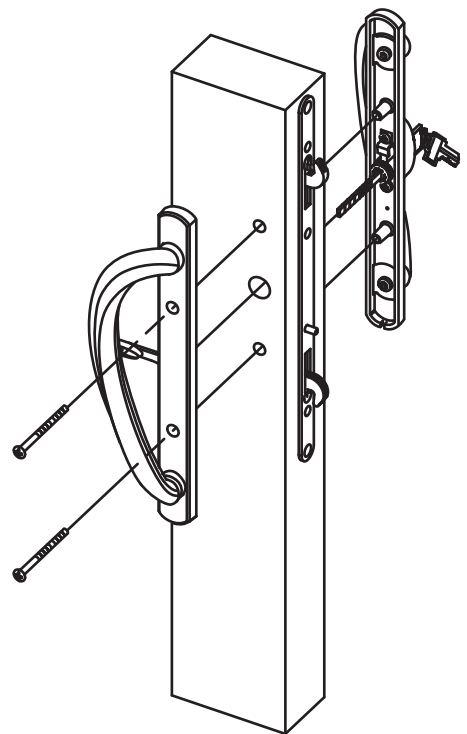
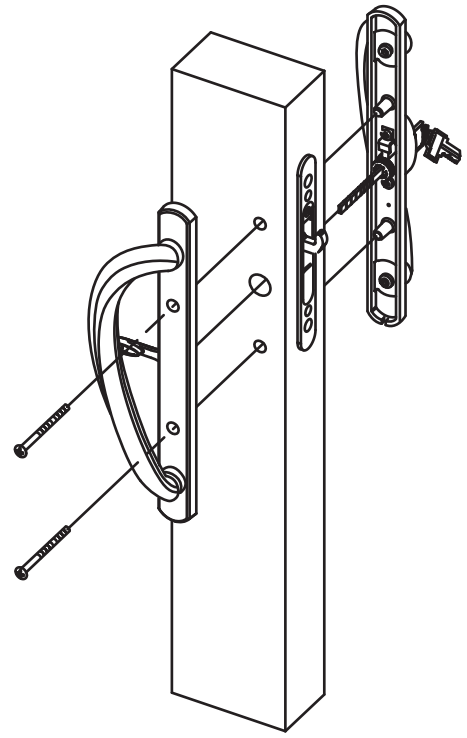
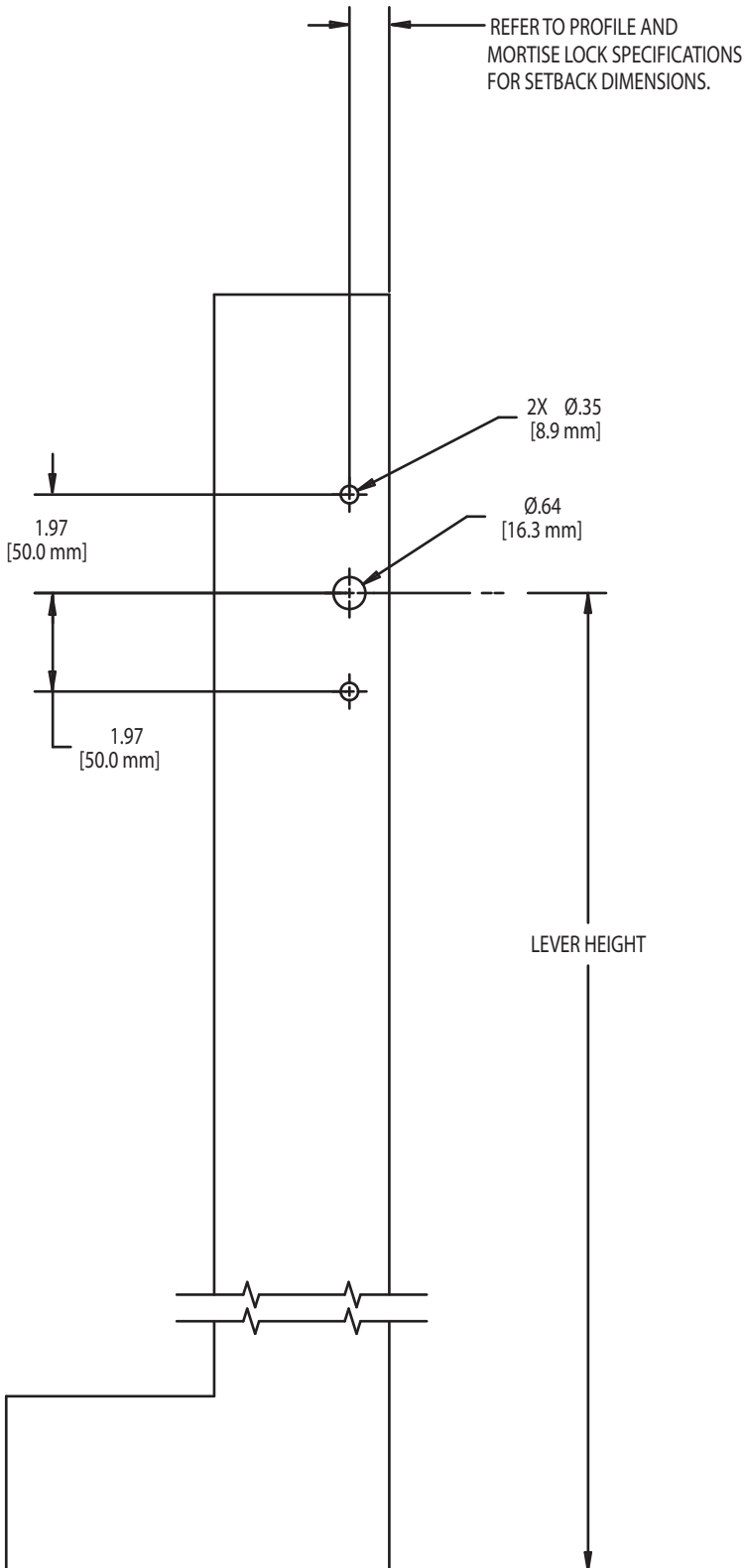


MOUNTING SCREWS:

2X #8-32 PHILLIPS OVAL HEAD MACHINE
SCREWS (1.75, 2.125, AND 2.50
LENGTH SCREWS ARE PROVIDED IN THE
KIT TO FIT STILE THICKNESSES RANGING
FROM 1.25 TO 2.25).

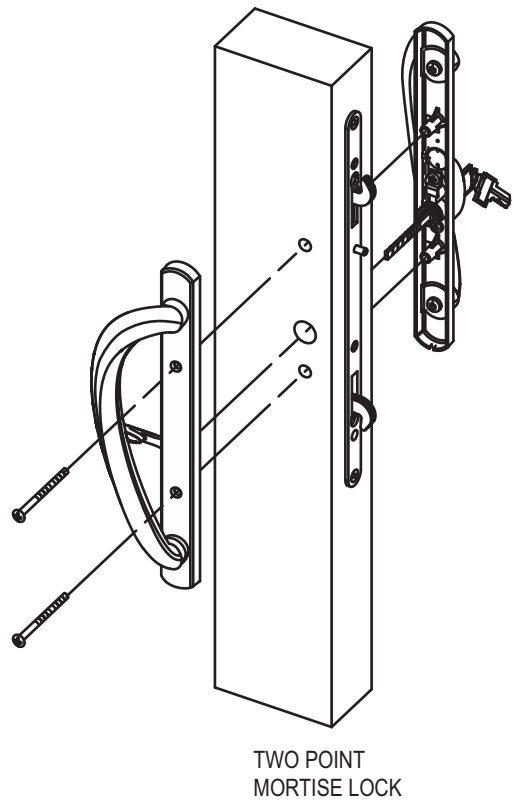
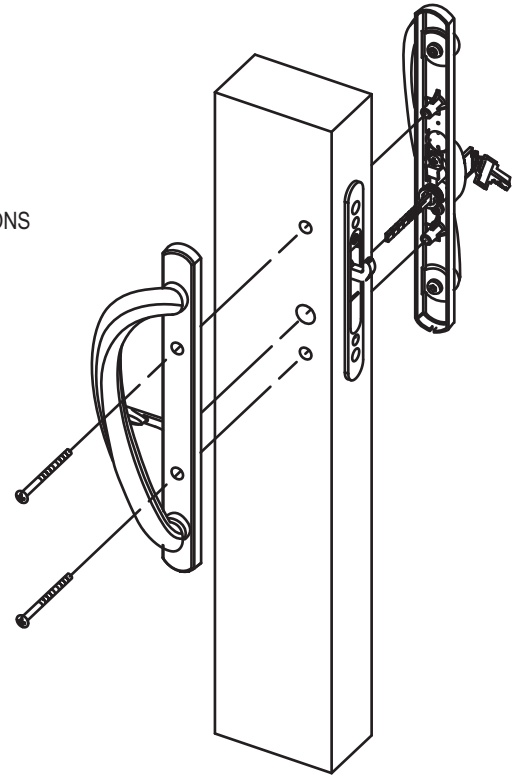
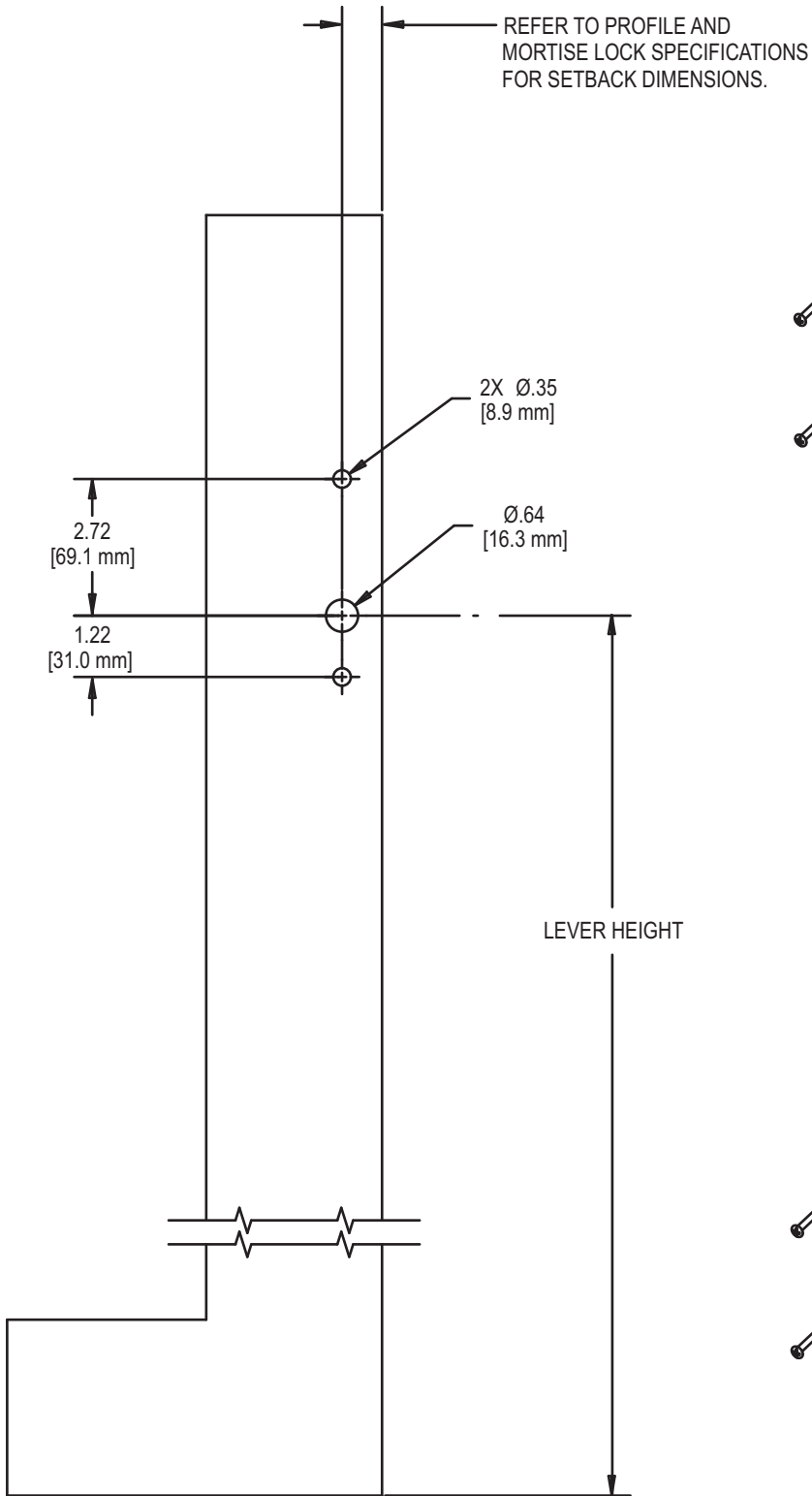


**FIG. 8 SIGNATURE SERIES PATIO DOOR HANDLE APPLICATION
(CENTERED LEVER POSITION)**

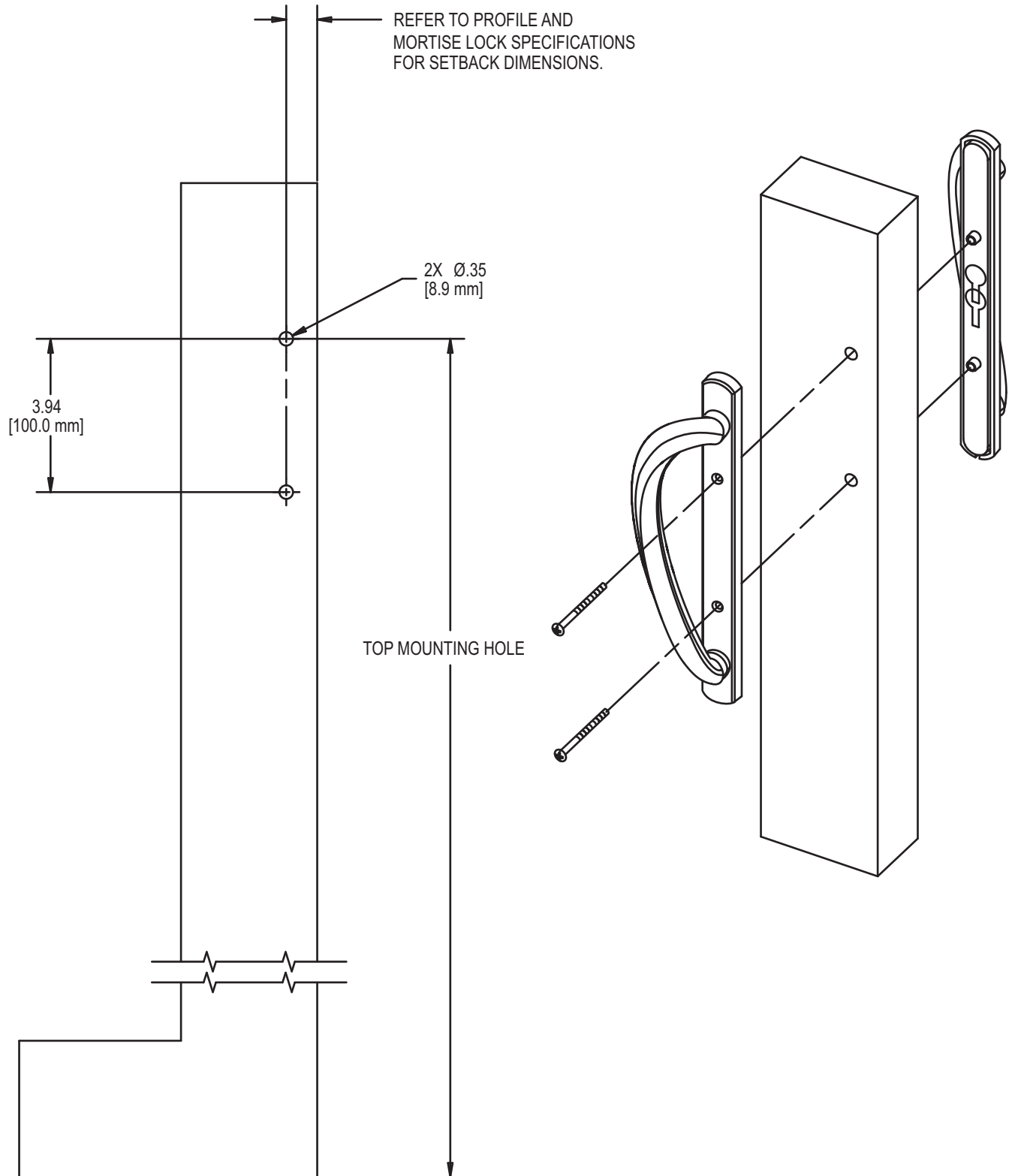


SIGNATURE SERIES PATIO DOOR HANDLE SETS

FIG. 9 SIGNATURE SERIES PATIO DOOR HANDLE APPLICATION
(OFFSET LEVER POSITION)



**FIG. 10 SIGNATURE SERIES PATIO DOOR HANDLE APPLICATION
(DUMMY APPLICATION)**



**SIGNATURE SERIES PATIO
DOOR HANDLE SETS**

5k



700 WEST BRIDGE STREET, OWATONNA, MN 55060 ■ 507.451.5620 800.866.7884 ■ TRUTH.COM

Truth's new Allure Patio Door Handle Sets — Where distinctive styling meets desirable value. Truth's attractive new handle set for the sliding patio door market offers one of the most stylish looks in handle sets. Truth has designed a one-piece patio door handle that appears pleasing on any sized patio door.

GOOD LOOKS / GREAT VALUE

The Allure's one-piece aluminum construction provides remarkable strength and reliability. Compatible with industry standard single or multi-point mortise locks, the Allure Series is available with optional key lock cylinders which can be located in the center, or offset positions within the handle.

The Allure Series can be used on inactive configurations for OXXO patio doors. The low profile handle helps to minimize interference with screens and other door treatments such as curtains and blinds. This unique non-handed handle design helps to reduce part count and inventory concerns while the system itself is made to adapt to stile thicknesses ranging from 1.25" - 2.25" which further enhances the flexibility and attractiveness of this product.

The narrow 1" escutcheon adapts nicely to any size door stile and the extended bosses on the inside and outside of the escutcheon enhances the stability of the entire system.

Attractive styling and craftsmanship makes the Allure Handle Set an economical winner!

MATERIAL & FINISHES:

Available in Truth's traditional decorative finishes over an aluminum base. Paint finishes are electrostatically applied, durable coatings that provide excellent resistance to chipping, scratching and corrosion while maintaining color stability for years in direct sunlight. Please refer to Truth's Color Chart for examples of Truth's most popular finish options.



WARRANTY:

Protected under the terms of the Truth Warranty for Window and Door Manufactures and Authorized Distributors. Refer to Truth's Terms & Conditions for further details.

ORDERING INFORMATION:

To customize the hardware package containing the specific items you require for your door system, please select from the following options:

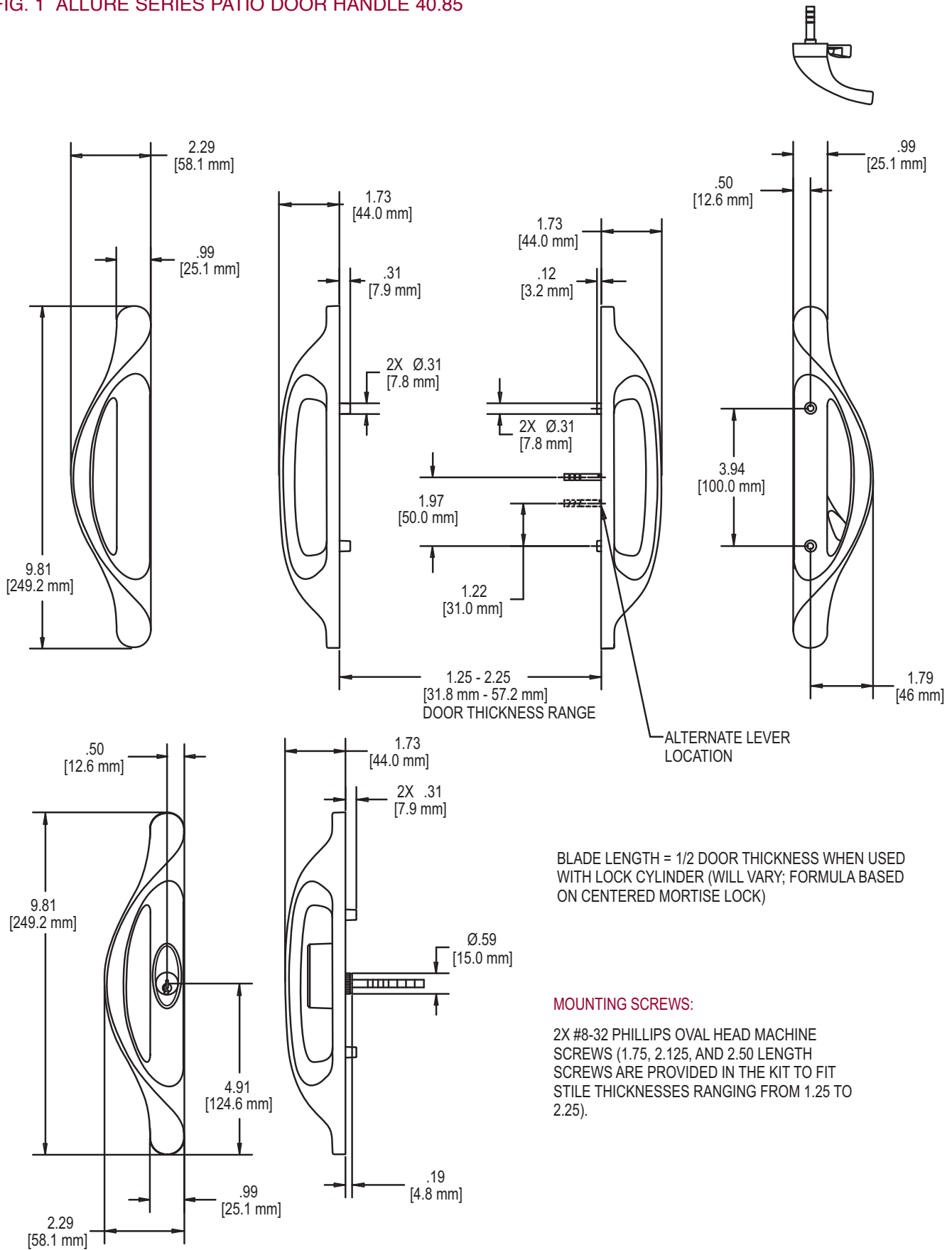
1. Order item #40.85 for Allure Handle Set (see Fig. 1)
2. Specify finish
3. Select Mortise Lock item number (see 2-Point Mortise Lock or Handle Set Accessories Sections).
4. Select Keeper (see Handle Set Accessories Section — keeper options).

TRUTH TIPS:

1. A Truth Hardware Secondary Patio Door Lock or Limiter can be added for applications requiring additional security.
2. Bumper guards (Truth item number 22082.XX), to keep door sash from contacting the opposite jamb during its travel, are highly recommended (See Handle Set Accessories Section).
3. The use of frame adjusters (Jamb Jacks) is recommended for easy correction of out of square or racked door installations. Frame adjustment can improve both weather seal tightness and door operation over the life of the door.

ALLURE SERIES PATIO DOOR HANDLE SETS

FIG. 1 ALLURE SERIES PATIO DOOR HANDLE 40.85

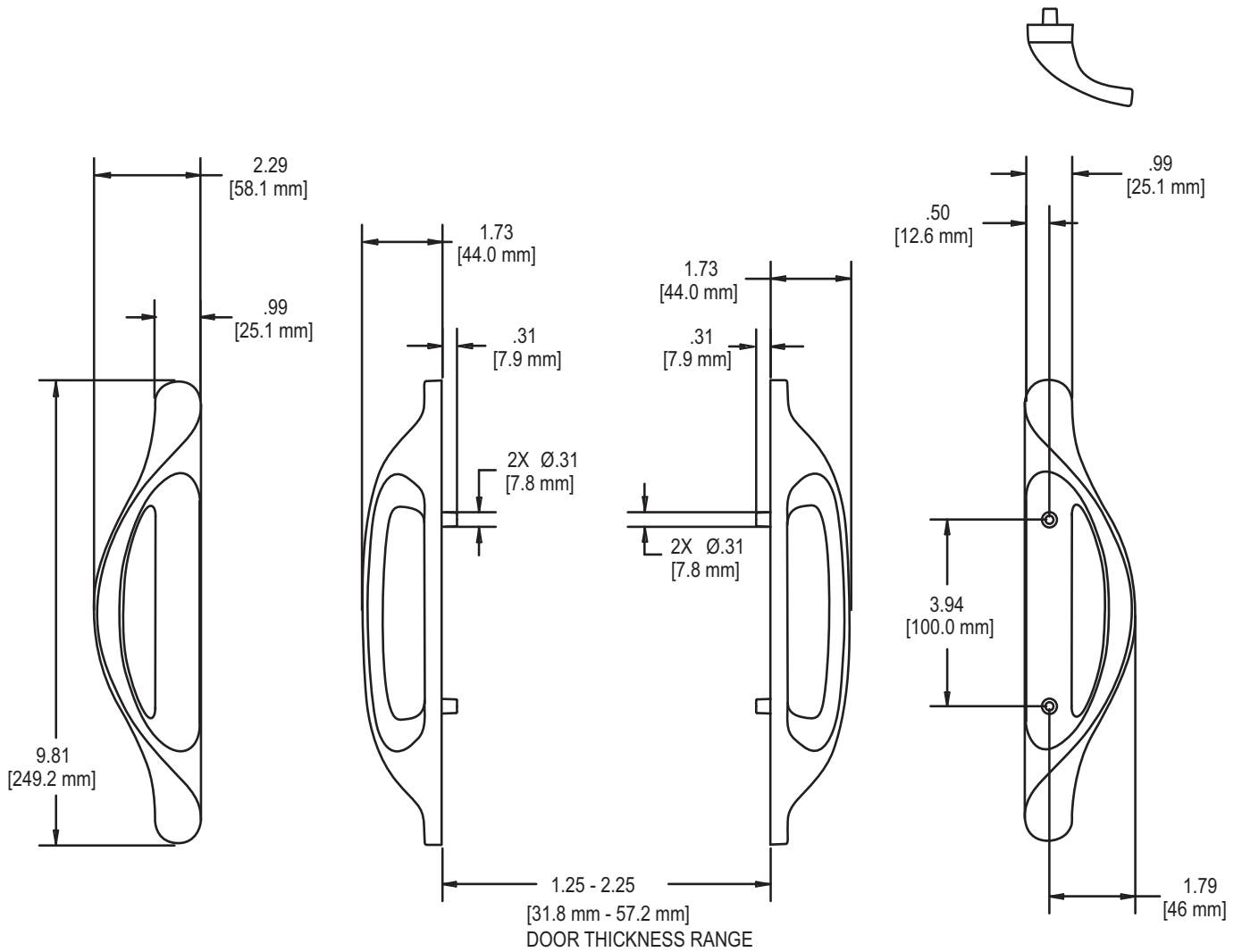


BLADE LENGTH = 1/2 DOOR THICKNESS WHEN USED WITH LOCK CYLINDER (WILL VARY; FORMULA BASED ON CENTERED MORTISE LOCK)

MOUNTING SCREWS:

2X #8-32 PHILLIPS OVAL HEAD MACHINE SCREWS (1.75, 2.125, AND 2.50 LENGTH SCREWS ARE PROVIDED IN THE KIT TO FIT STILE THICKNESSES RANGING FROM 1.25 TO 2.25).

FIG. 2 ALLURE SERIES PATIO DOOR HANDLE 40.85 (DUMMY SET)



MOUNTING SCREWS:

2X #8-32 PHILLIPS OVAL HEAD MACHINE SCREWS (1.75, 2.125, AND 2.50 LENGTH SCREWS ARE PROVIDED IN THE KIT TO FIT STILE THICKNESSES RANGING FROM 1.25 TO 2.25).

ALLURE SERIES PATIO DOOR HANDLE SETS

FIG. 3 ALLURE SERIES PATIO DOOR HANDLE APPLICATION
(CENTER LEVER POSITION)

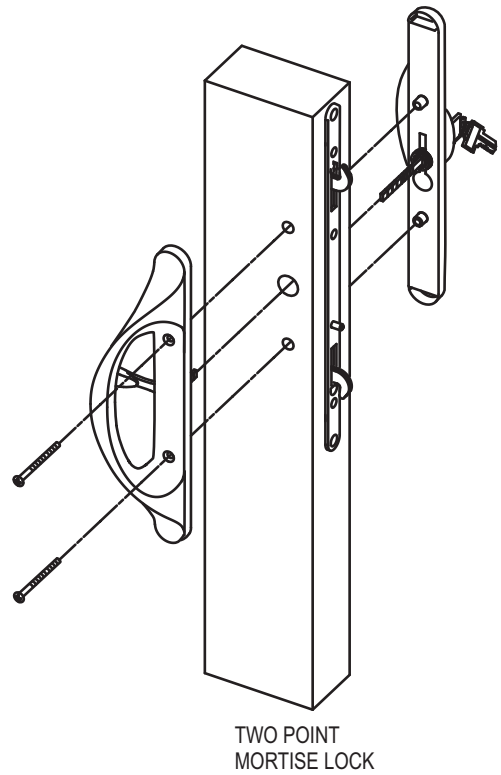
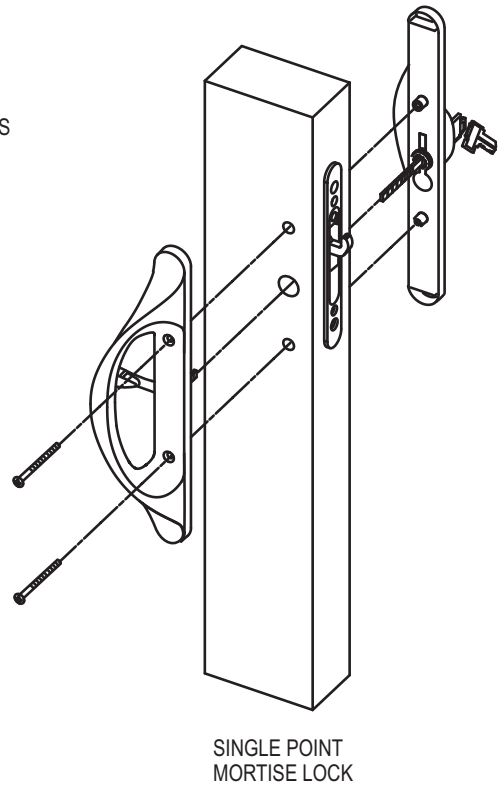
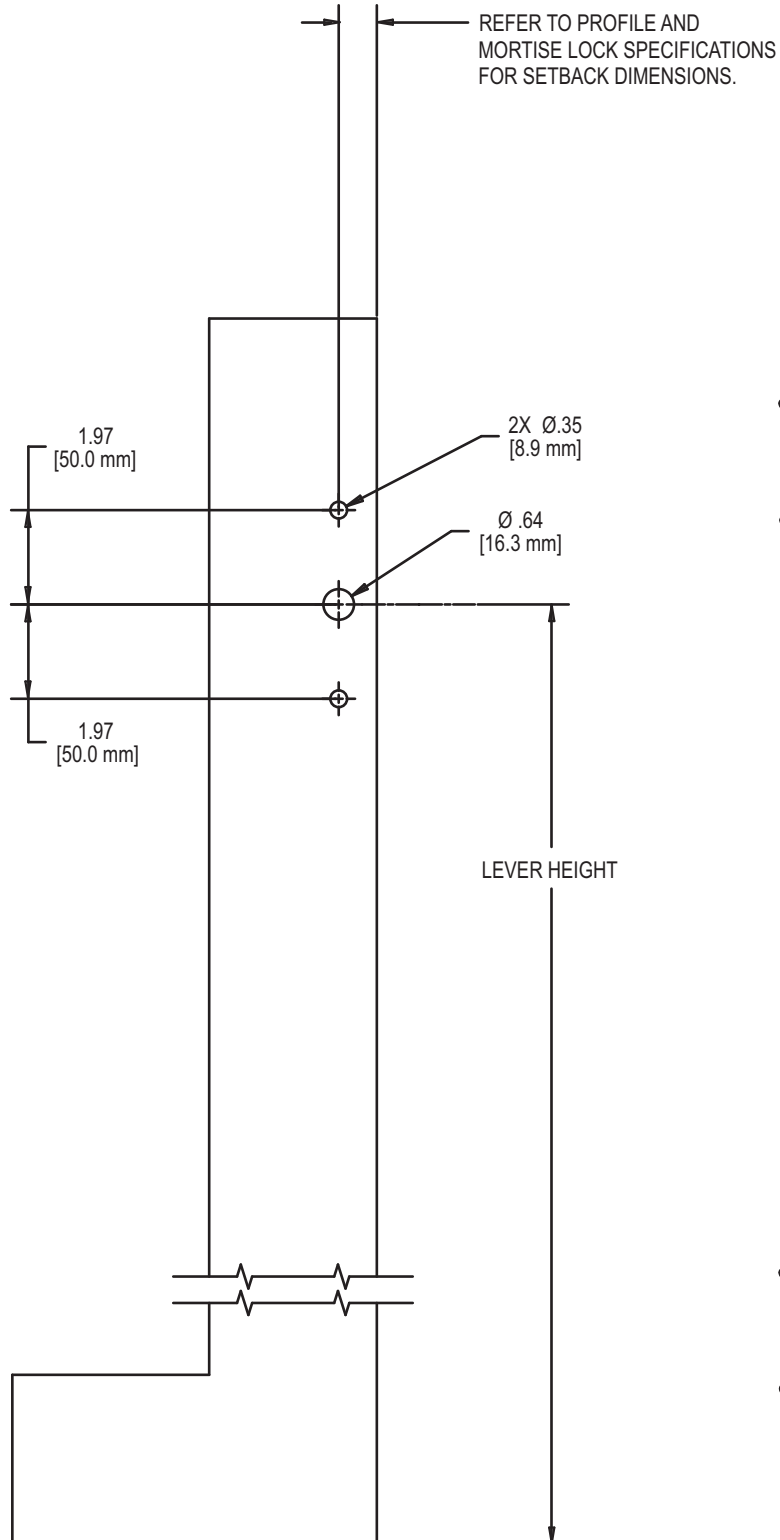
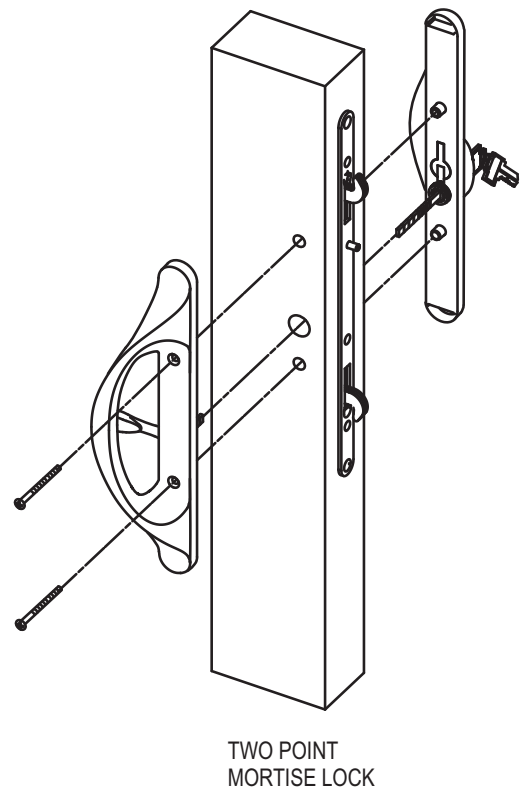
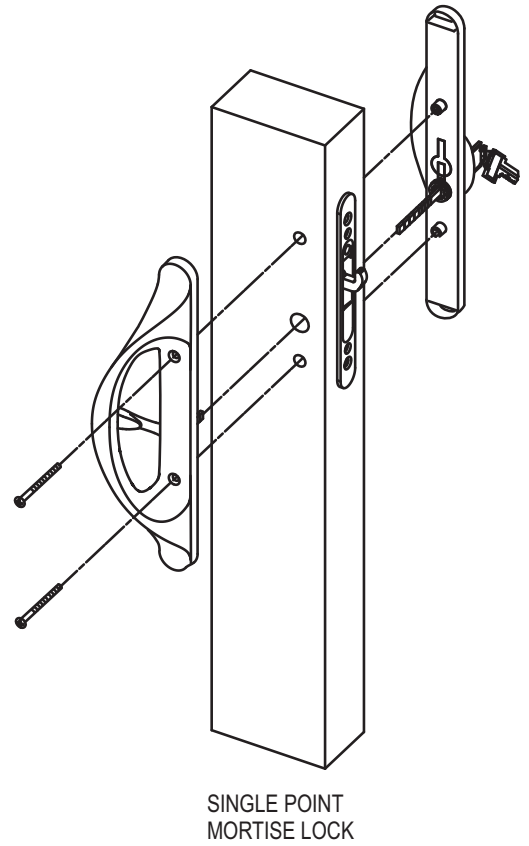
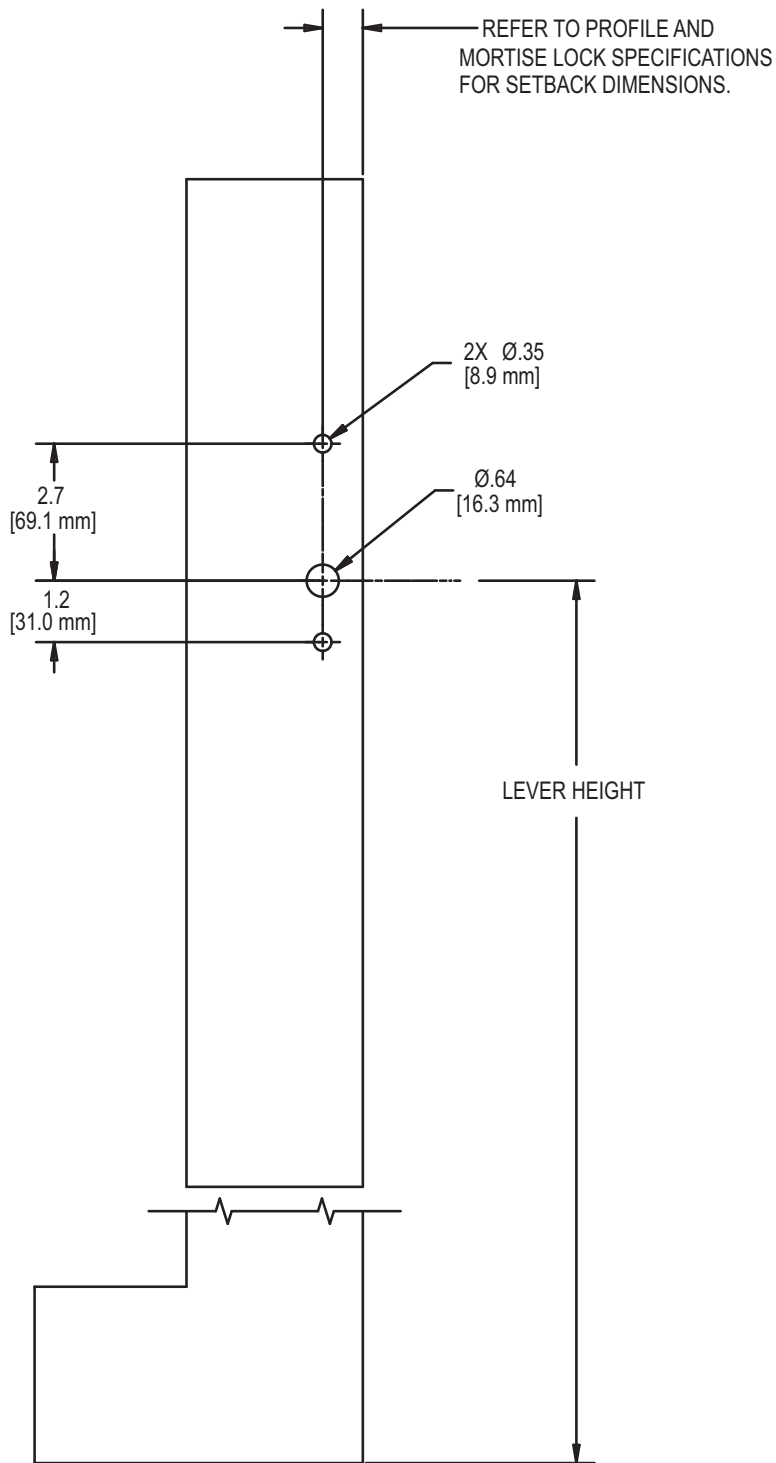


FIG. 4 ALLURE SERIES PATIO DOOR HANDLE APPLICATION
(OFFSET LEVER POSITION)



**ALLURE SERIES PATIO
DOOR HANDLE SETS**

- Sleek, elegant, and easy to grasp, Truth's new handles are the latest addition to our line of sliding patio doors handles.
- The integrated design of the handle and escutcheon provides a clean and elegant aesthetic appearance for the homeowner.
- The #40.62 handle series is designed for use on mortise applications.
- These handles may be combined with Truth's outside pulls (#2939, #2940, and #2949) to achieve a differentiated appearance at various price points.
- All mortise kits that use outside pulls are supplied with anti-slide gaskets to help prevent against the outside pull slipping when operating the door.
- The handles were designed with an industry standard mounting hole pattern making them ideal for the OEM and retrofit markets.
- The handles are non-handed, which reduces part count and inventory.
- Outside pulls are available with cylinder locks for applications requiring keyed entry.

MORTISE APPLICATIONS:

- The #40.62 series handles are compatible with standard and extended reach single-point mortise locks.
- The #40.62 series handles were designed for use on wood, vinyl, or aluminum doors.
- The #40.62 series handles fit door widths (stile thickness) ranging from 0.50" to 2".
- The #40.62 series handles have mounting holes spacing of 3-15/16".

MATERIAL & FINISHES: Available in zinc die cast and painted. Paint finishes are electrostatically applied, durable coatings that provide excellent resistance to chipping, scratching and corrosion while maintaining color stability for years in direct sunlight. Please refer to Truth's Color Chart for examples of Truth's most popular finish options.



WARRANTY:

Protected under the terms of the Truth Warranty for Window and Door Manufacturers and Authorized Distributors. Refer to Truth's Terms & Conditions for further details.

ORDERING INFORMATION:

To customize the hardware package containing the specific items you require for your door system, please select from the following options:

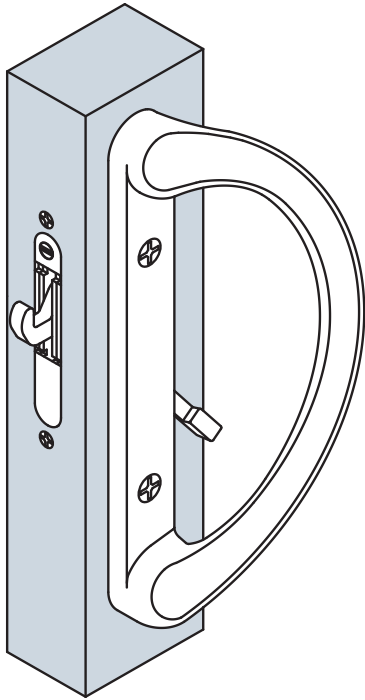
1. Order non-handed #40.62 Handle.
2. Specify finish
3. Specify mounting screw length (see Fig. 1).
4. Select Mortise Lock item number (see Handleset Accessories Section - Mortise Lock options).
5. Select Keeper (see Handleset Accessories Section - Keeper options).
6. Select Outside Handleset (see Outside Pull Section)

TRUTH TIPS:

1. A Truth Hardware Secondary Patio Door Lock or Limiter can be added for applications requiring additional security.
2. Bumper guards (Truth item number 22082.XX), to keep door sash from contacting the opposite jamb during its travel, are highly recommended (See Handleset Accessories Section).
3. The use of frame adjusters (Jamb Jacks) is recommended for easy correction of out of square or racked door installations. Frame adjustment can improve both weather seal tightness and door operation over the life of the door.

40.62 SLIDING PATIO DOOR HANDLES

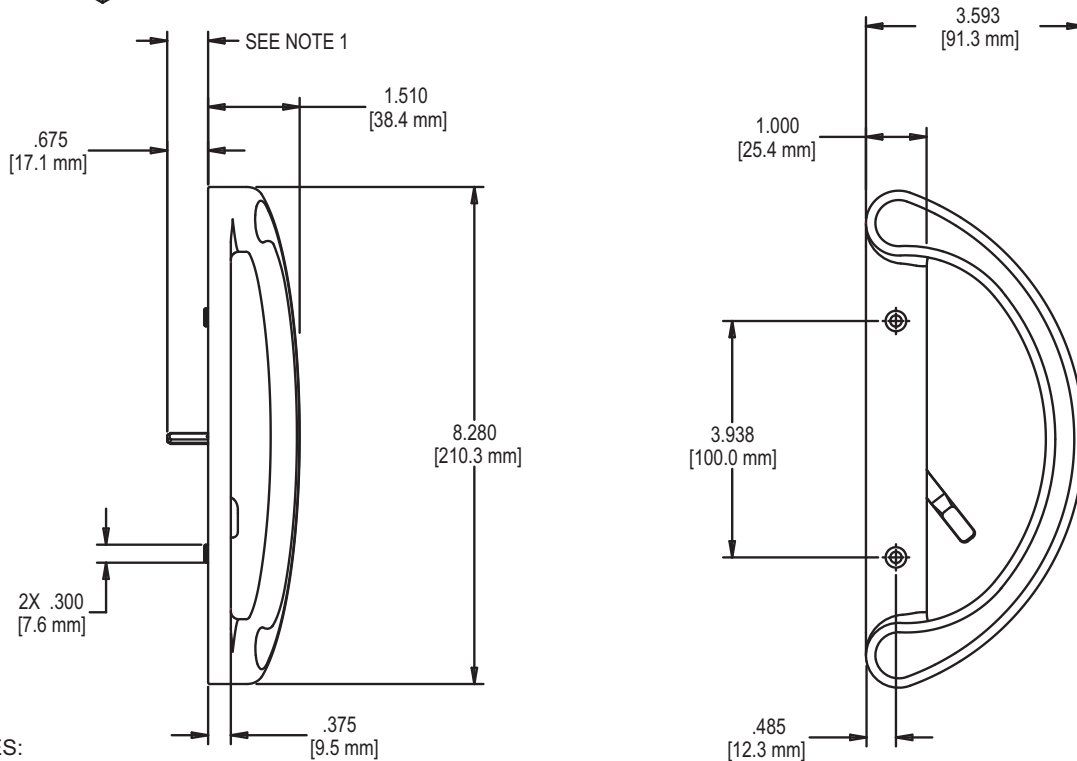
FIG. 1 40.62 HANDLE SET



AVAILABLE MORTISE LOCKS
32435
32436
32461
32439

AVAILABLE OUTSIDE PULLS	
DESCRIPTION	PART NO.
2940 W/O CYL	32328.XX
2940 W CYL	32437.XX
2949 W/O CYL	32434.XX
2949 W CYL	32438.XX
2939 W/O CYL	32442.XX
2939 W CYL	32479.XX

.XX INDICATES FINISH



NOTES:

1. BLADE LENGTH = 1/2 DOOR THICKNESS (WILL VARY; FORMULA BASED ON CENTERED MORTISE LOCK WITH NO THERMAL BREAK.)
2. SCREW LENGTH = DOOR THICKNESS + .62 (15.8mm)

- The #2995 series handle set is one of the industry's most popular handle sets. These non-handed interior and exterior handle sets are for use on aluminum, vinyl, or wood framed patio doors.
- The #2995 series works well with industry standard single point mortise-type locks.
- The #2995 series outside handle is available with or without lock cylinder.
- #2995 series inside handles may also be combined with Truth's standard outside pulls for differentiated appearance and price points.
- Industry compatible mounting hole pattern makes the #2995 interchangeable with all popular handle sets for OEM and retrofit.
- Optional lever handle locations are available based on position of mortise lock within sash.
- Extended bosses on the #2995 series inside and outside bases prevent slippage and creep.
- Different lever lengths and fasteners are available to accommodate various door widths (stile thickness).
- The unique design of the #2995 Series Handle Sets provides for extra security - as no screws are accessible from the outside.

MATERIAL & FINISHES:

Available in either solid brass or painted zinc die cast. Paint finishes are electrostatically applied, durable coatings that provide excellent resistance to chipping, scratching and corrosion while maintaining color stability for years in direct sunlight. Please refer to Truth's Color Chart for examples of Truth's most popular finish options. Truth also offers this product in a decorative plated brass finish - contact Truth for additional information on availability of optional plated finishes. These handle pulls and escutcheon parts are interchangeable amongst finish options to achieve the desired aesthetic appearance.

WARRANTY:

Protected under the terms of the Truth Warranty for Window and Door Manufacturers and Authorized Distributors. Refer to Truth's Terms & Conditions for further details.



ORDERING INFORMATION:

To customize the hardware package* containing the specific items you require for your door system, please select from the following options:

1. Order non-handed 2995 Series Inside Handle Set (which includes #32419.XX Inside Pull, #32390.XX Inside Escutcheon, and #32362.XX Lever).
2. Select 2995 Series Outside Handle Set with or without lock cylinder (for other available options - see table in Fig. 2 or Outside Pull catalog section)
3. Select Mortise Lock and Keeper item numbers (see table in Fig. 1 or Mortise Lock & Keeper Section for further details).
4. Specify finish.
5. Specify fasteners. Note: Please specify door panel thickness to determine screw length required.

Optional Hardware (sold separately)

- Key Lock Cylinder
 - Specify thickness of door.
 - Specify keyed-alike, keyed different, or master-key option.

Special Ordering Notes:

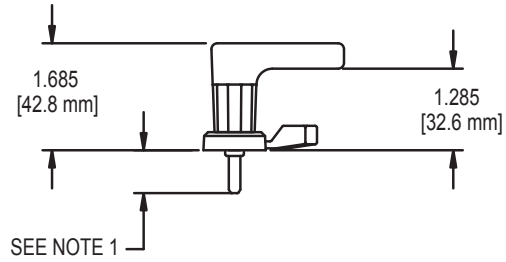
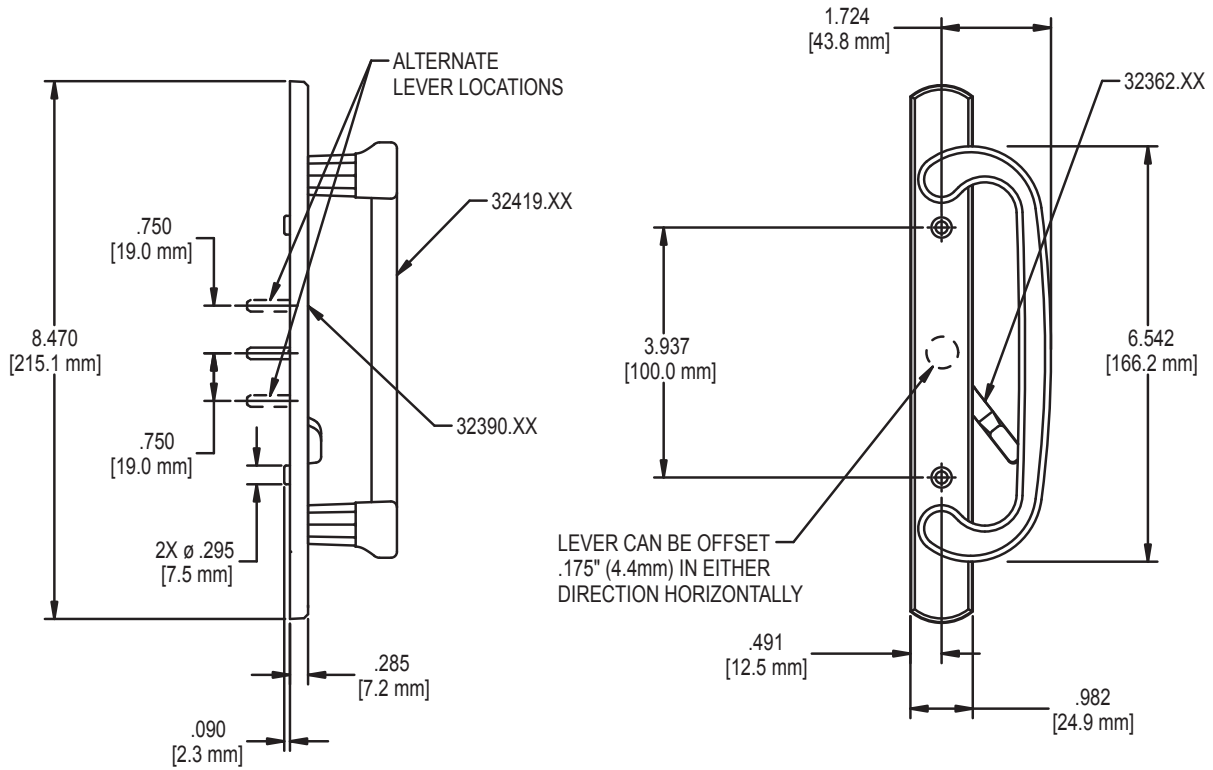
- Assembly mounts with two #8 machine screws through the stile and into the tapped holes in the exterior pull.
 - When used with an exterior key lock cylinder, consult key lock cylinder blade length table in Fig. 5 of Handleset Accessories section. Stock drive blade lengths are: .530", .660", .750", .810", 1.200" and 1.300".
- * Contact your Truth Representative after you have made the above selections so that a customized "kit" package can be created to simplify your ordering.

TRUTH TIPS:

1. A Truth Hardware Secondary Patio Door Lock or Limiter can be added for applications requiring additional security.
2. Bumper guards (Truth item number 22082.XX), to keep door sash from contacting the opposite jamb during its travel, are highly recommended (see Handleset Accessories section).
3. The use of frame adjusters (Jamb Jacks) is recommended for easy correction of out of square or racked door installations. Frame adjustment can improve both weather seal tightness and door operation over the

2995 PATIO DOOR HANDLE SETS

FIG. 1 2995 SERIES INSIDE PULL



AVAILABLE OUTSIDE PULLS		
DESCRIPTION	PART NO.	"X" (SEE NOTE 2)
2995 W/O CYL	32419.XX/32325.XX	.246 (6.2mm)
2995 W CYL	32419.XX/32462.XX	
*2949 W/O CYL	32434.XX	.621 (15.8mm)
*2949 W CYL	32438.XX	
*2939 W/O CYL	32442.XX	
*2939 W CYL	32479.XX	

HARDWARE SHOWN	
INSIDE PULL	32419.XX
INSIDE ESCUTCHEON	32390.XX
LEVER	32362.XX

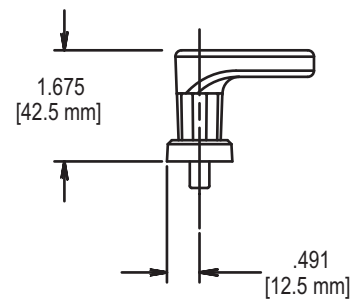
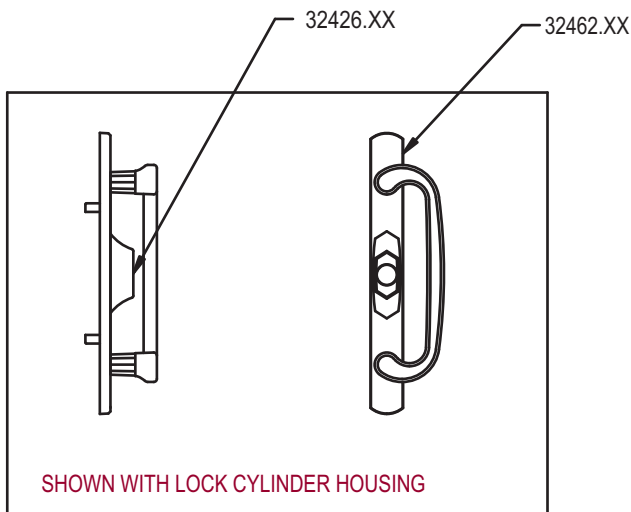
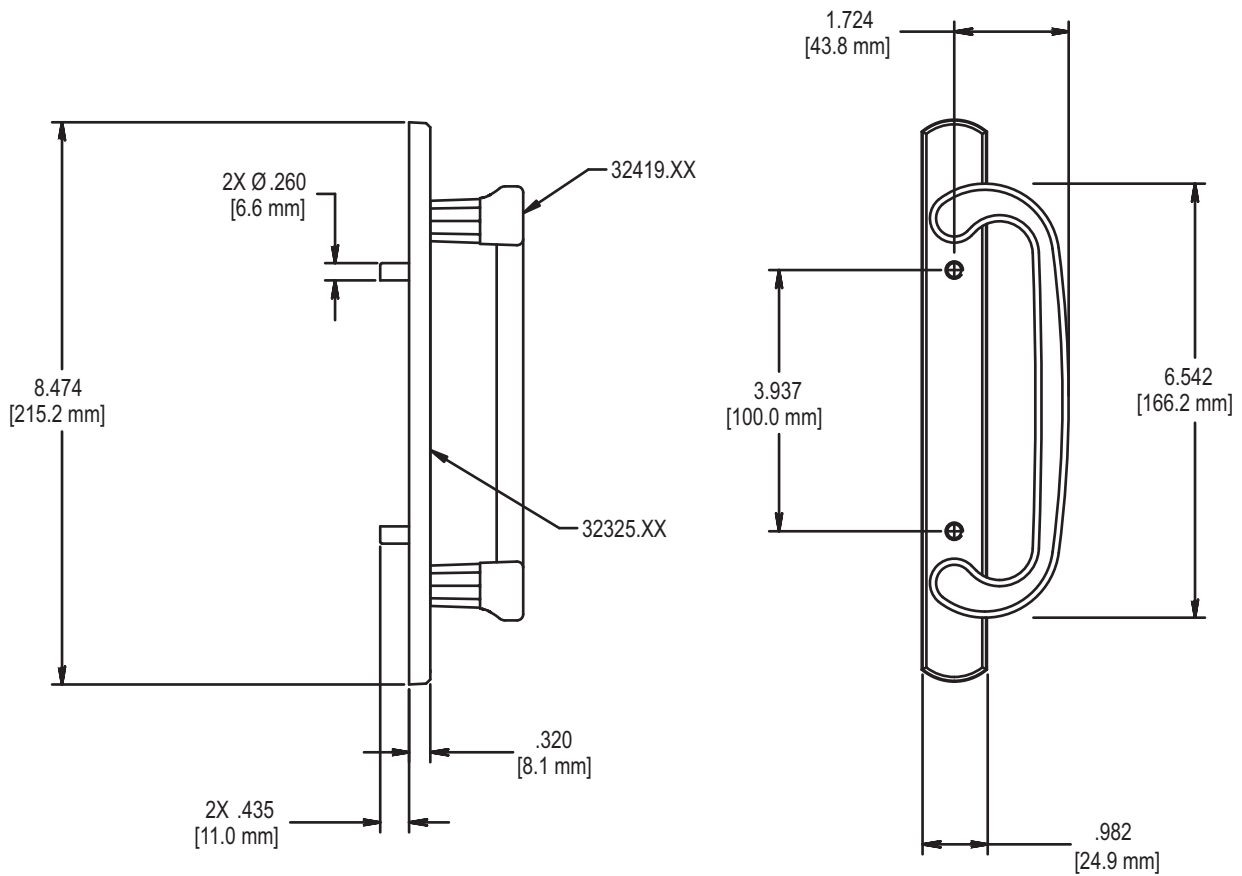
.XX INDICATES FINISH
 *SEE OUTSIDE PULL CATALOG SECTION FOR DETAILS

**AVAILABLE MORTISE LOCKS
32435
32436
32461
32439

- NOTES:
1. BLADE LENGTH = 1/2 DOOR THICKNESS WHEN USED WITH LOCK CYLINDER (WILL VARY; FORMULA BASED ON CENTERED MORTISE LOCK)
 2. MOUNTING SCREW LENGTH = DOOR THICKNESS + "X"

**SEE MORTISE LOCK CATALOG SECTION FOR DETAILS

FIG. 2 2995 SERIES OUTSIDE PULL



NOTES:

1. HANDLE IS TAPPED TO ACCEPT 8-32 MOUNTING SCREWS
2. KEY CYLINDER IS ORDERED SEPARATELY

HARDWARE SHOWN	
HANDLE 2995 SERIES	32419.XX
OUTSIDE ESCUTCHEON	32325.XX
LOCK CYLINDER HOUSING	32426.XX

2995 PATIO DOOR
HANDLE SETS

- Truth Hardware's economically priced #2939, #2940 & #2949 series are projecting exterior patio door pulls that, as an option, can house a key lock cylinder for outside key lock operation.
- The #2939 and #2949 Series Exterior Pulls are designed to be used only with mortise lock handle designs.
- The #2949 series is smoothly contoured for a contemporary European look.
- The traditional #2940 Series Exterior Pull is designed primarily to be used with Clam and Insert-type handles, such as Truth's #2041 Series and #40.63/64 Series interior surface-mounted handle and lock sets. The #2940 Series can also accommodate some mortise lock handles.
- When a key lock is required, the cylinder hole plug may be removed (pushed out or drilled) in the field by the installer for retrofitting, or removal may be factory specified. Anti-knock-out plugs are available for added security when pulls are mounted without lock cylinders.
- On #2940 series pulls, when a key lock is installed, only a portion of the cylinder length is enclosed. Approximately .28" of the cylinder projects from the back, to be inserted into a .593" diameter hole in the stile.
- Conversely, the 1.33" height of the #2939 and #2949 series pulls permit the complete enclosure of the key lock cylinder, when the key lock option is chosen.
- On the backside of the #2940 series are four tapped screw holes. The orientation of these two pairs of mounting holes will correspond to the various interior handle screw holes and secure the pull to the stile.
- #2940 series low profile outside pull is used primarily on aluminum door applications with insert or clam latch style interior handles.
- On the backside of the #2939 and #2949 series are six tapped screw holes, two of which secure the pull to the stile. The six holes translate into three pairs of holes on 3.937" centers. These holes allow for vertical alignment of the pull with the screws when installed with a lock cylinder.



- Two anti-slide gaskets are supplied with each pull to keep pull stationary on stile.

MATERIAL & FINISHES:

Available in zinc die cast and painted. Paint Finishes are electrostatically applied, durable coatings that provide excellent resistance to chipping, scratching and corrosion while maintaining color stability for years in direct sunlight. Please refer to Truth's Color Chart for examples of Truth's most popular finish options.

WARRANTY:

Protected under the terms of the Truth Warranty for Window and Door Manufactures and Authorized Distributors. Refer to Truth's Terms & Conditions for further details.

ORDERING INFORMATION:

1. Order item number corresponding to desired Outside Pull.
2. Specify finish.
3. Specify fasteners (sold separately).
Note: Please identify thickness of door pane to determine screw length required.

4. To determine blade length for key lock cylinder refer to Fig. 5.

TRUTH TIPS:

1. A Truth Hardware Secondary Patio Door Lock or Limiter can be added for applications requiring additional security.
2. Bumper guards (Truth item number 22082.XX), to keep door sash from contacting the opposite jamb during its travel, are highly recommended (see Handleset Accessories section).
3. The use of frame adjusters (Jamb Jacks) is recommended for easy correction of out of square or racked door installations. Frame adjustment can improve both weather seal tightness and door operation over the life of the door.

FIG. 1 2939 SERIES OUTSIDE PULL

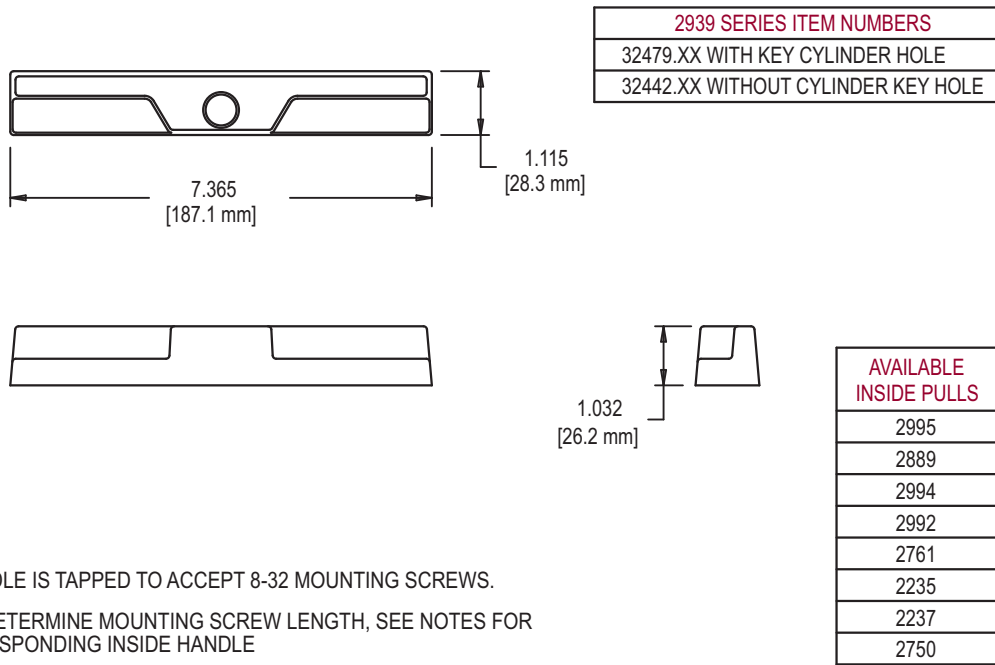


FIG. 2 2940 SERIES OUTSIDE PULL

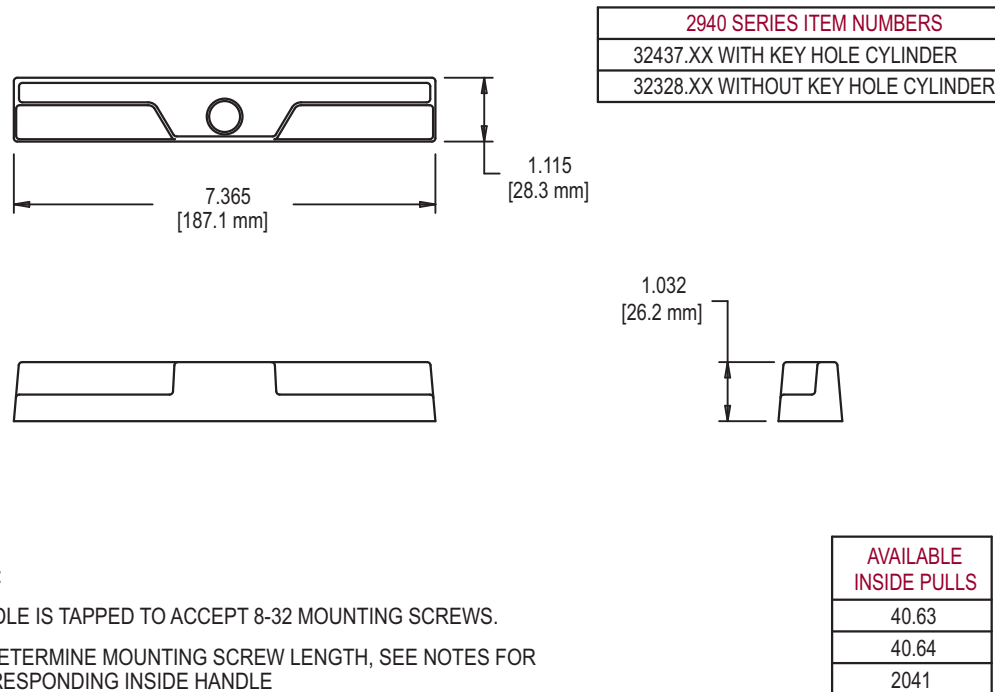
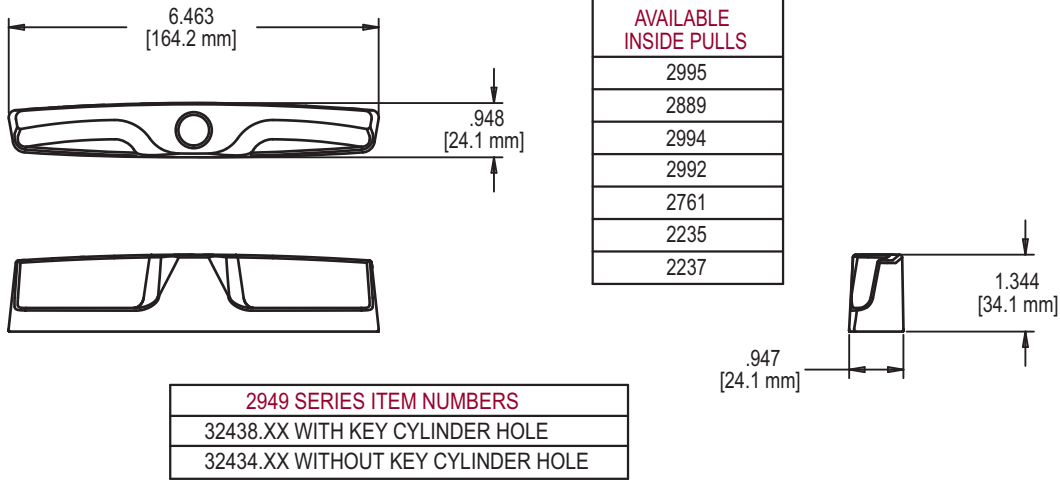


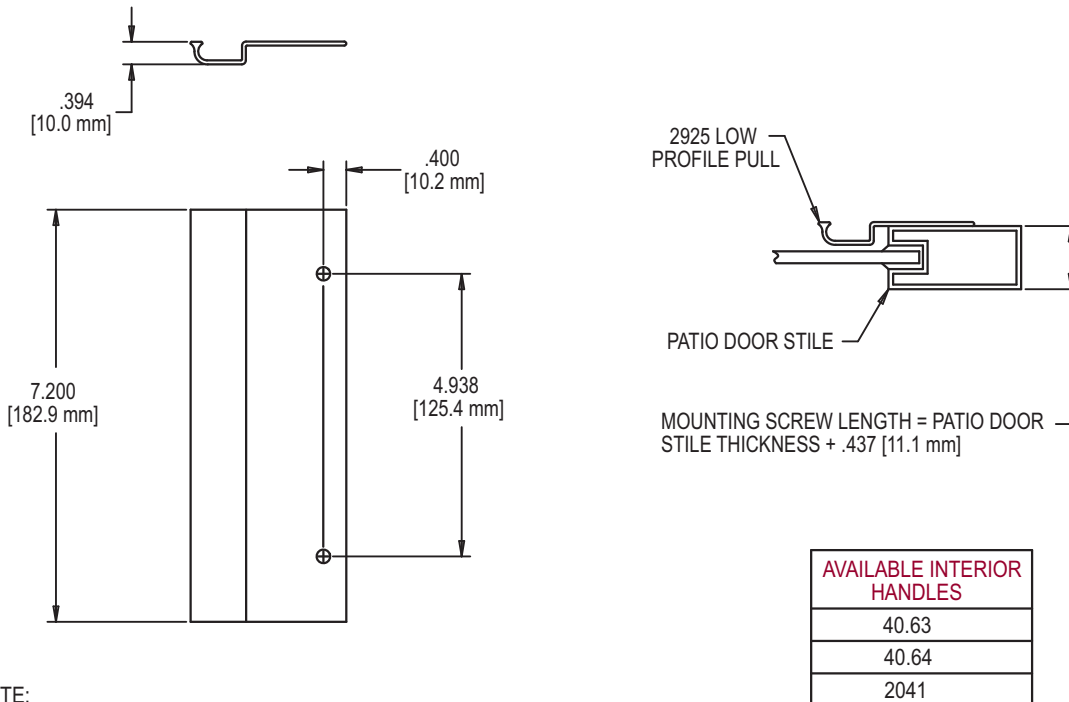
FIG. 3 2949 SERIES OUTSIDE PULL



NOTES:

1. HANDLE IS TAPPED TO ACCEPT 8-32 MOUNTING SCREWS.
2. TO DETERMINE MOUNTING SCREW LENGTH, SEE NOTES FOR CORRESPONDING INSIDE HANDLE

FIG. 4 2925 SERIES LOW PROFILE PULL



NOTE:

1. MUST BE ORDERED WITH 2367-1000 BINDER POST - (2 PER HANDLE)
2. TO DETERMINE MOUNTING SCREW LENGTH SEE NOTES FOR CORRESPONDING INSIDE HANDLE

FIG. 5 LOCK CYLINDER

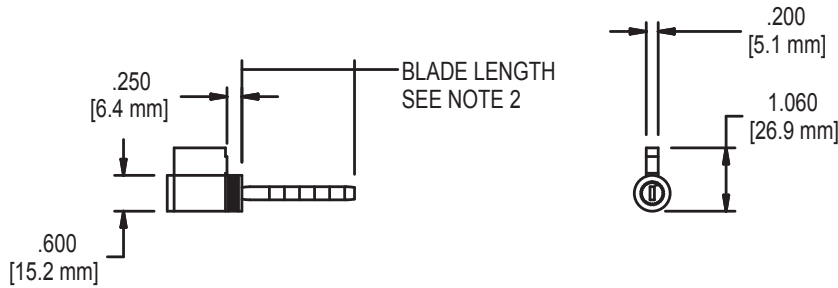


TABLE TO DETERMINE LOCK CYLINDER BLADE LENGTH

		OUTSIDE PULL		
		2939 SERIES	2949 SERIES	2940 SERIES
INSIDE HANDLE SERIES NO.	2995	1/2 DOOR THKNS-.27	1/2 DOOR THKNS	N/A
	2889	1/2 DOOR THKNS-.27	1/2 DOOR THKNS	N/A
	2994	1/2 DOOR THKNS-.27	1/2 DOOR THKNS	N/A
	2992	1/2 DOOR THKNS-.27	1/2 DOOR THKNS	N/A
	2761	1/2 DOOR THKNS-.27	1/2 DOOR THKNS	N/A
	2235	1/2 DOOR THKNS-.27	1/2 DOOR THKNS	N/A
	2237	1/2 DOOR THKNS-.27	1/2 DOOR THKNS	N/A
	2750	1/2 DOOR THKNS-.27	1/2 DOOR THKNS	N/A
	40.62	1/2 DOOR THKNS-.27	1/2 DOOR THKNS	N/A
	2041	N/A	N/A	DOOR THKNS +.35
	40.63	N/A	N/A	1/2 DOOR THKNS +.187
	40.64	N/A	N/A	1/2 DOOR THKNS +.187

THKNS= THICKNESS

NOTE:

1. ALL LOCK CYLINDERS USE THE WEISER KEYWAY
2. STOCK BLADE LENGTHS ARE: .530", .660", .750", .810", 1.200", 1.300"

Truth Hardware realizes that each profile in the marketplace may require its own particular hardware component due to the variety of mounting applications options. Because of this, Truth has developed a wide variety of unique mounting hardware choices for use in Aluminum, Vinyl, and Wood sliding patio doors. In addition to Truth's keepers, spacers and adapters, our Mortise Locks work with many of the fine line of patio door handle-sets that we offer. The attributes of these mortise locks are as follows:

- Additional Security:
 - Heat treated laminated steel bolt will withstand forced entry loads in excess of 1000 lbs.
 - Hook bolt has an "anti-slam" feature that will retract the bolt if the door is closed with the bolt extended. This feature will prevent accidental lock-outs, and damage to the door, lock, and keeper.
 - These Mortise Locks meet AAMA and CMBSO standards for sliding patio doors.
- Activation:
 - The adjustable reach hook bolt is actuated by a 90 degree rotation of the hub, and will adjust to allow easier installations on applications requiring a longer reach.
 - #32435 and 32461 Series - adjusts from .040" to .310"
 - #32436 and 32439 Series - adjusts from .140" to .420"

The #32436/32439 Series Mortise Lock has a backset of .150" that permits mounting through a metal reinforced vinyl wall section. The deeper backset allows for the face of the lock to project through and be flush with the face of the stile.

MATERIAL & FINISHES:

Keepers, adapters and spacers made of extruded aluminum alloy #6061 unless otherwise specified. Mortise locks made of an all steel case and mechanism (except the cast Zamac Zinc hub). They also feature a heat treated laminated steel bolt. The steel parts are available in clear or yellow zinc plated versions. Truth's extended reach #2320 Series (#32439) also comes in stainless steel.

WARRANTY:

Protected under the terms of the Truth Warranty for Window and Door Manufactures and Authorized Distributors. Refer to Truth's Terms & Conditions for further details.

ORDERING INFORMATION:

Because of the variety of sliding patio door designs on the market, Truth Hardware suggests that you contact our Product Specialists to help you identify the components that will best meet your requirements. These components can include mortise locks, keepers, adapters and spacers.

To assist us in helping you identify the product that you need, please be prepared to provide Truth with the type and style of profile that you are mounting the hardware to.

For Mortise Lock applications please specify Truth's model number for the mortise lock that you are interested in.

Standard Mortise Lock

- #32435 - Radiused Faceplate with 90° Hub is part #2300-1061 (clear zinc plated)
- #32436 - Radiused Faceplate with 90° Hub is part #2300-1063 (yellow zinc plated)

Series Extended Reach Mortise Lock

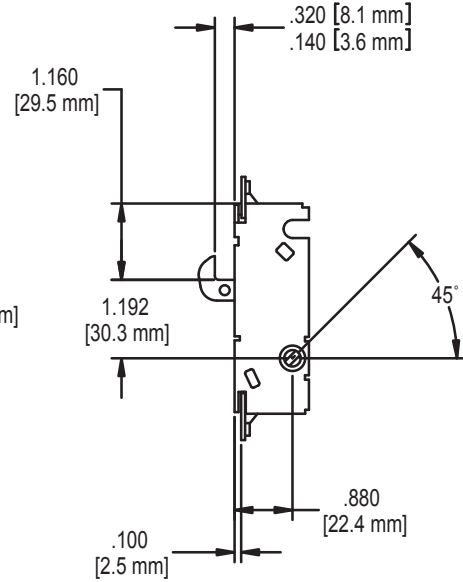
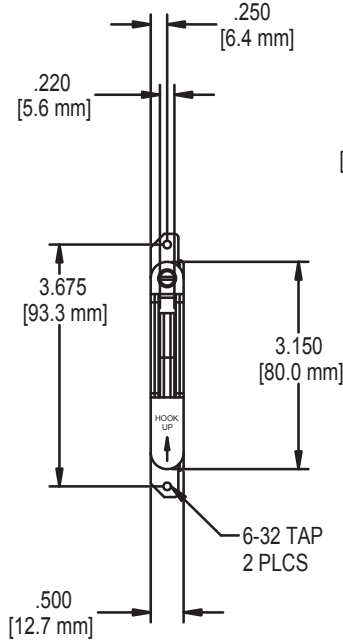
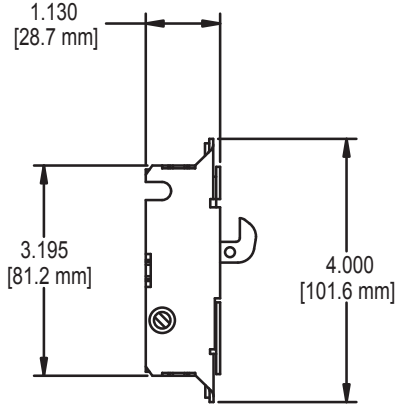
- #32461 - Zinc plated steel part with 90° Hub is #2320-1061
- #32439 - Stainless Steel part with 90° Hub is #2320-10SS

TRUTH TIPS:

1. A Truth Hardware Secondary Patio Door Lock or Limiter can be added for applications requiring additional security.
2. A variety of lock adapter plates and keepers available for single-point mortise latch applications to address special needs. Not all of these items are shown in the catalog. Please contact Truth's Technical Service Department for assistance.
3. The use of optional latch mounting adapters on single-point mortise latch applications will increase the forced entry rating of the door by securing the handle mounting screws into the mortise latch mounting.
4. Bumper guards (Truth item number 22082.XX), to keep door sash from contacting the opposite jamb during its travel, are highly recommended (see Handleset Accessories section).
5. If hardware shown cannot be fitted to the door because of door/hardware interference, contact Truth for other available options.
6. Installation of longer screws into the keeper rail will increase security. Screws long enough to reach the rough opening frame are recommended.
7. For easy correction of out of square or racked door installations, the use of Jamb Jack (frame adjusters) are recommended. Frame adjustment can improve both weather seal tightness and door operation over the life of the door.
8. For vinyl applications, mounting screws should pass through two PVC walls or one PVC wall and one insert wall. For this reason, it may be necessary to use a longer screw than is recommended.

FIG. 1 32435 & 32461 MORTISE LOCK

32435 - CLEAR CHROMATE PLATING
32461 - YELLOW CHROMATE

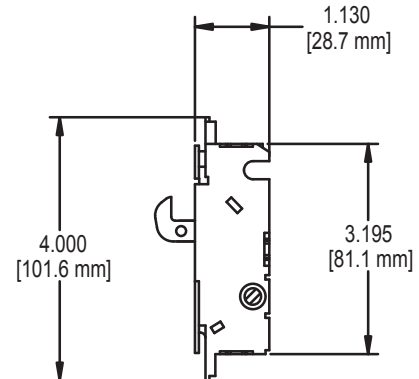
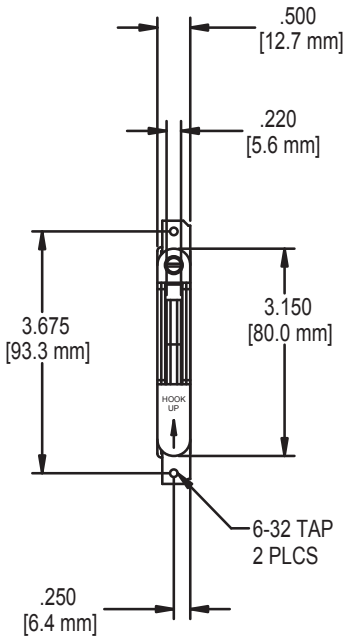
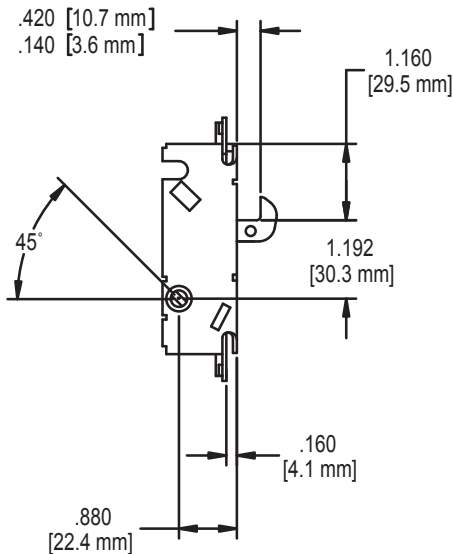


AVAILABLE ADAPTORS
31823
32413
22094

MOUNTING SCREWS: (QTY 2) (P/N 19609.61) #6-32 X 1/2"
PHILLIPS FLAT HEAD MACHINE SCREW

FIG. 2 32436 & 32439 MORTISE LOCK

32436 - CLEAR CHROMATE PLATING
32439 - STAINLESS STEEL



AVAILABLE ADAPTORS
31823
32413
22094

MOUNTING SCREWS: (QTY 2) (P/N 19609.61) #6-32 X 1/2"
PHILLIPS FLAT HEAD MACHINE SCREW

FIG. 3 31823 ADAPTOR

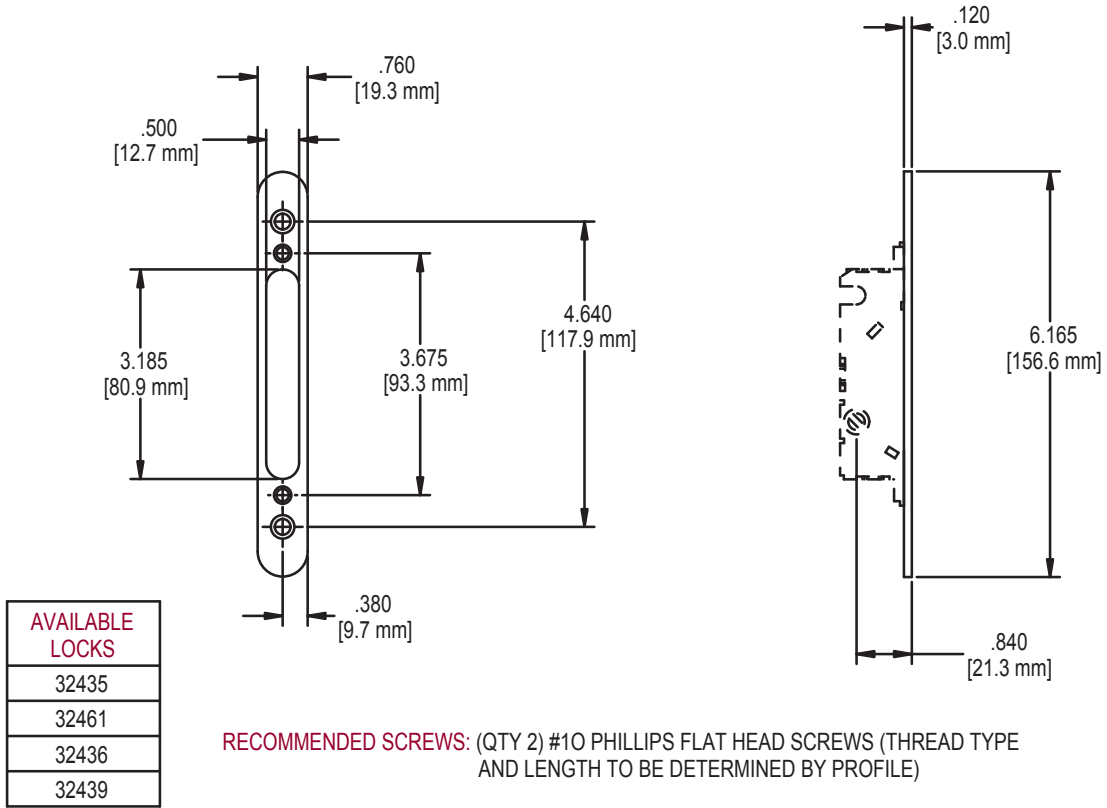


FIG. 4 22094 ADAPTOR

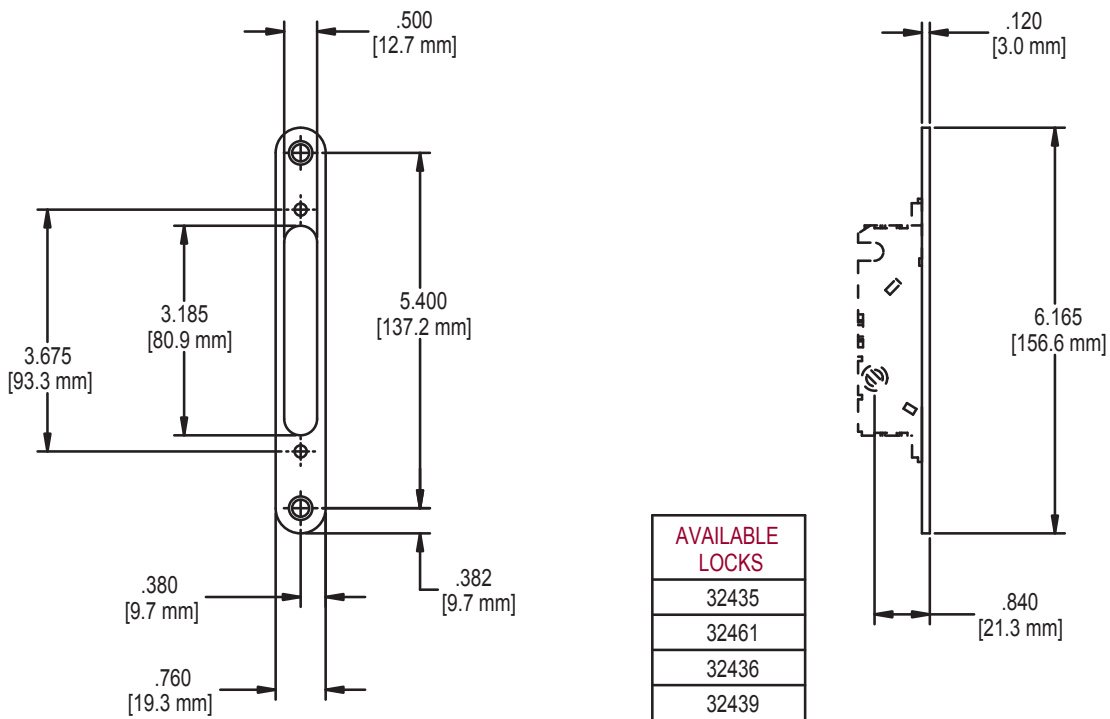


FIG. 5 32413 POCKET ADAPTOR

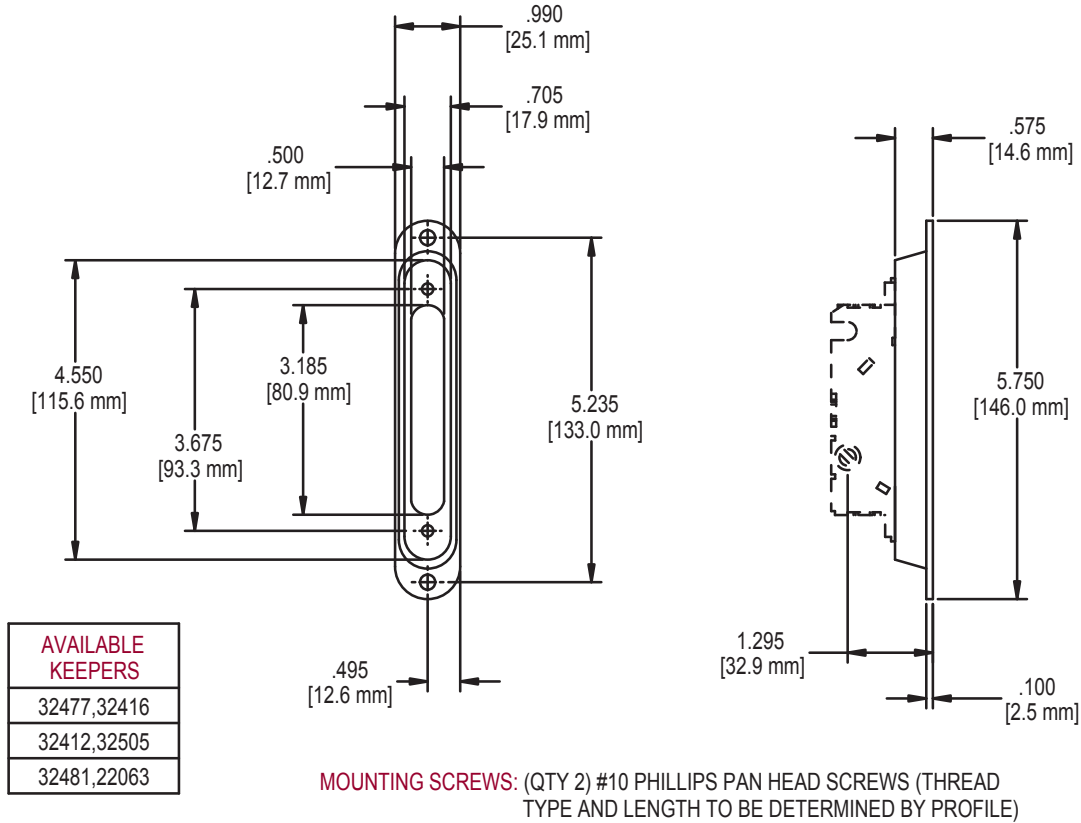


FIG. 6 2537 KEEPER

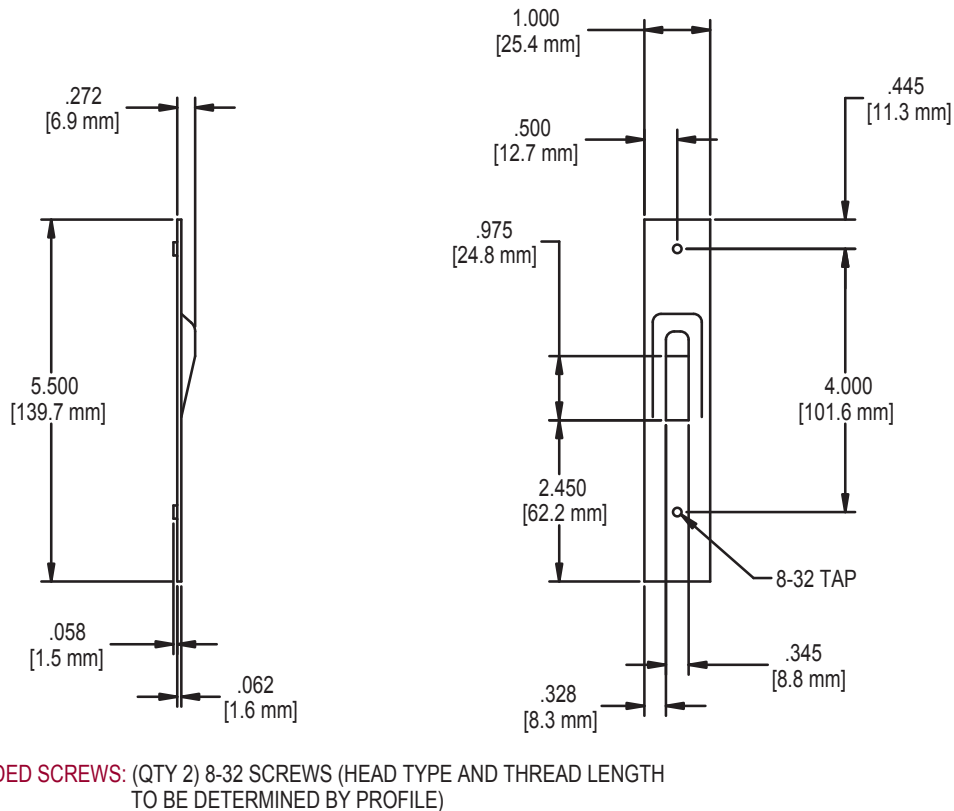
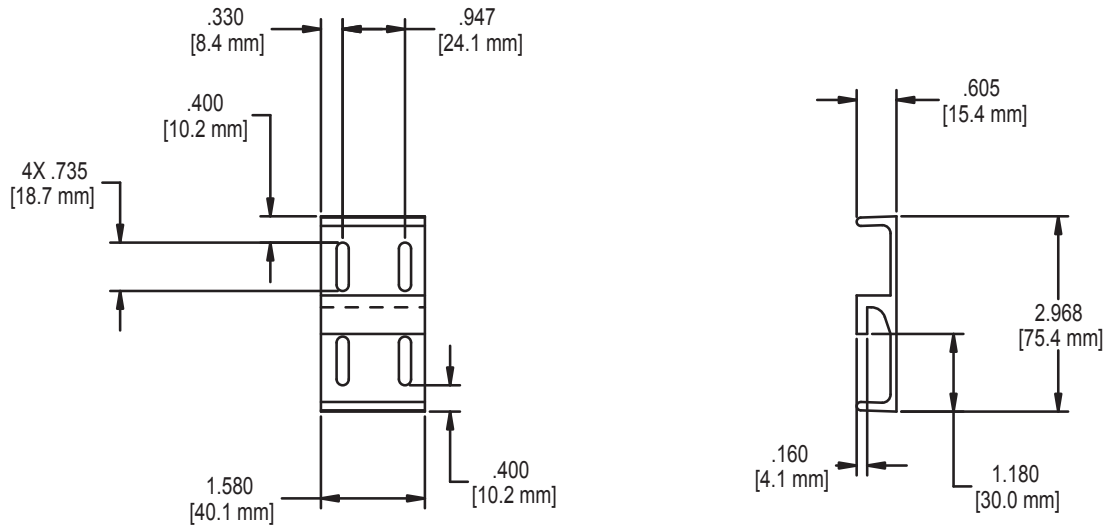
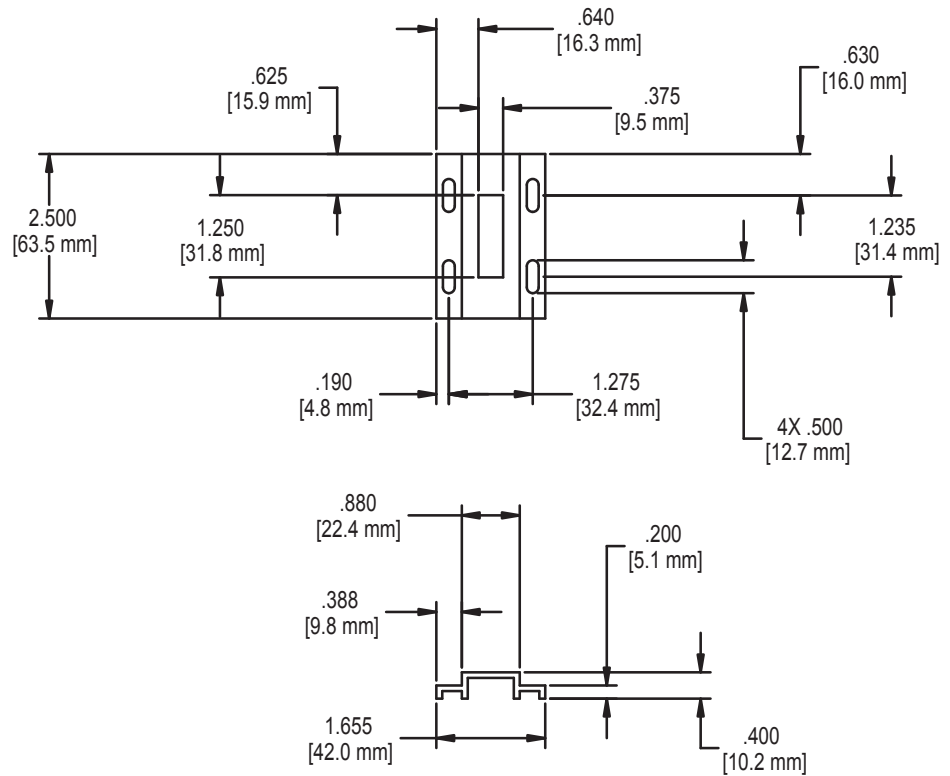


FIG. 7 22096.XX KEEPER



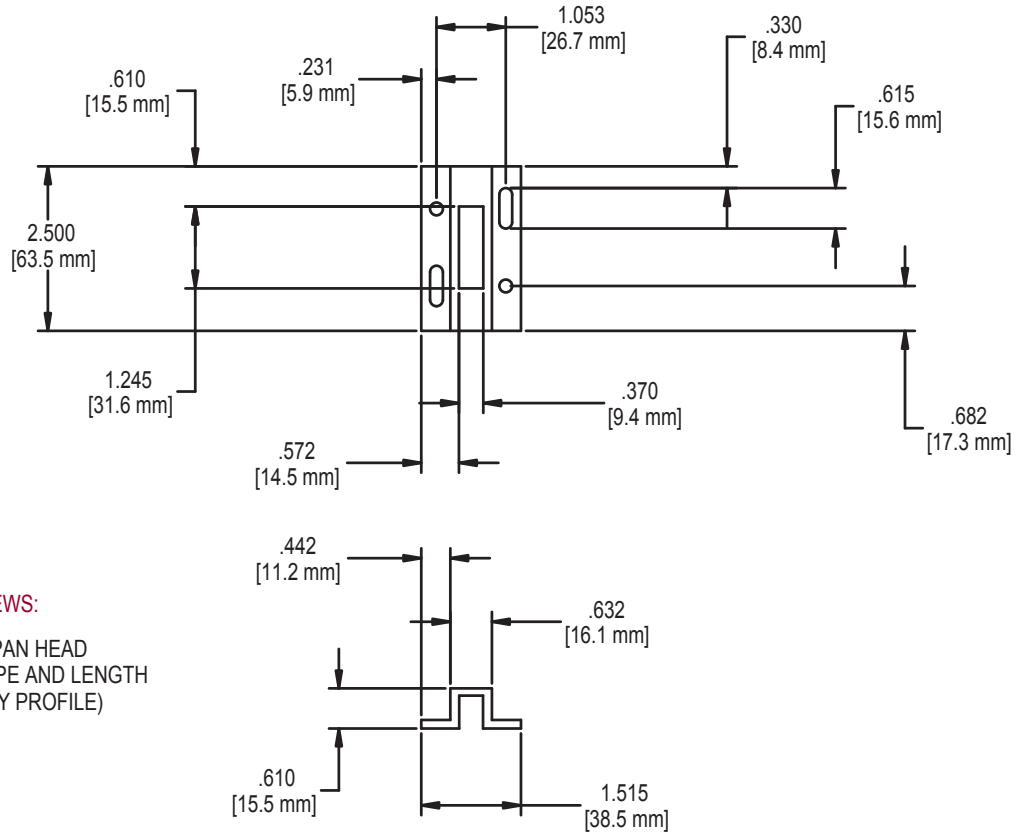
RECOMMENDED SCREWS: (QTY 4) #10 PHILLIPS PAN HEAD SCREWS
(THREAD TYPE AND LENGTH TO BE DETERMINED BY
PROFILE)

FIG. 8 32470.XX KEEPER



RECOMMENDED SCREWS: (QTY 4) #10 PHILLIPS PAN HEAD SCREWS
(THREAD TYPE AND LENGTH TO BE DETERMINED BY
PROFILE)

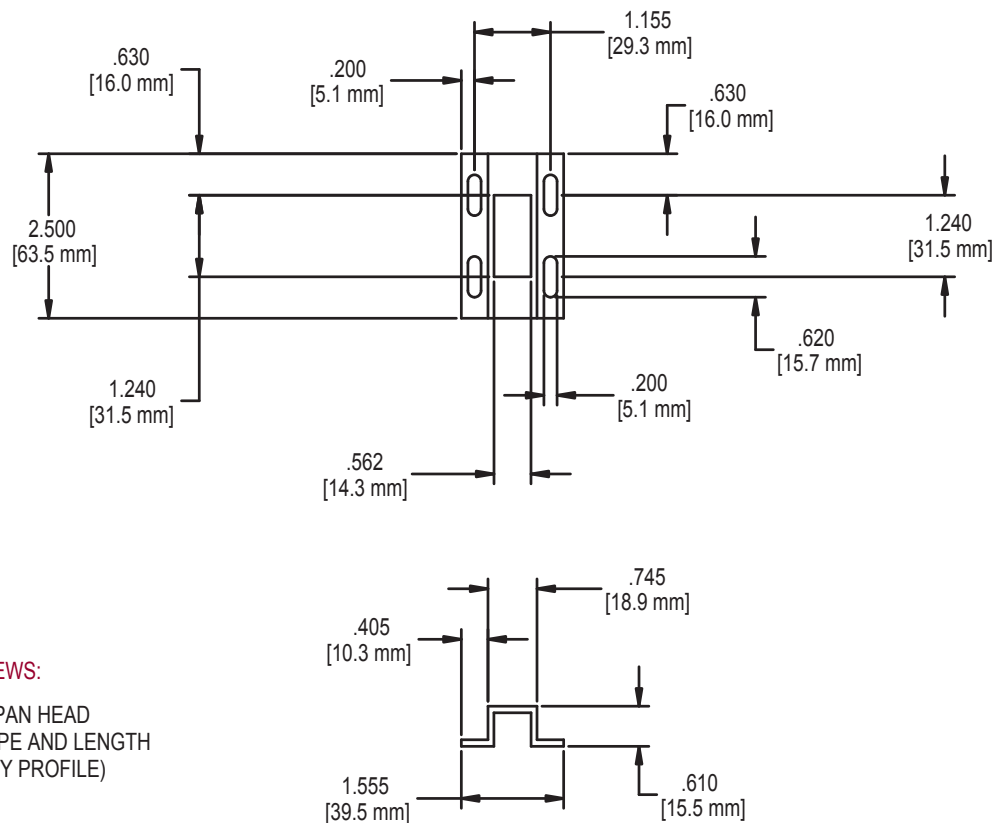
FIG. 9 2534 KEEPER



RECOMMENDED SCREWS:

(QTY 4) #10 PHILLIPS PAN HEAD
SCREWS (THREAD TYPE AND LENGTH
TO BE DETERMINED BY PROFILE)

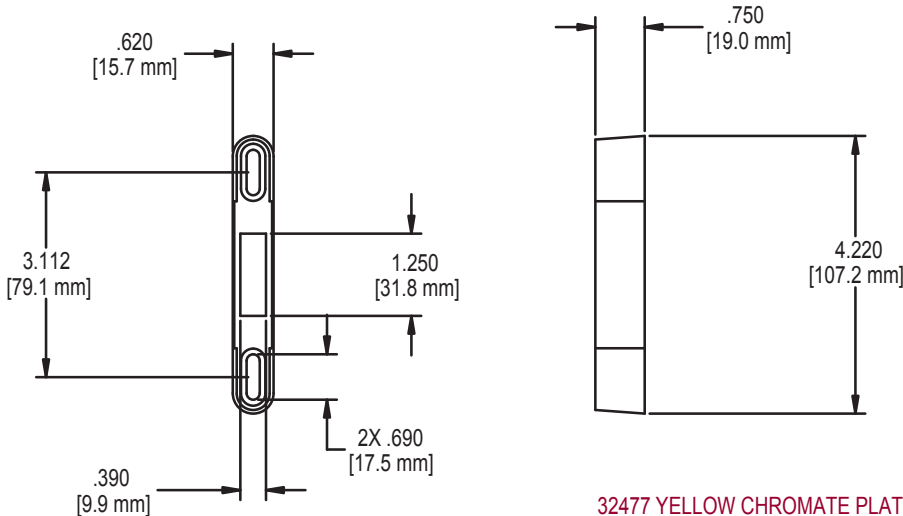
FIG. 10 2539 KEEPER



RECOMMENDED SCREWS:

(QTY 4) #10 PHILLIPS PAN HEAD
SCREWS (THREAD TYPE AND LENGTH
TO BE DETERMINED BY PROFILE)

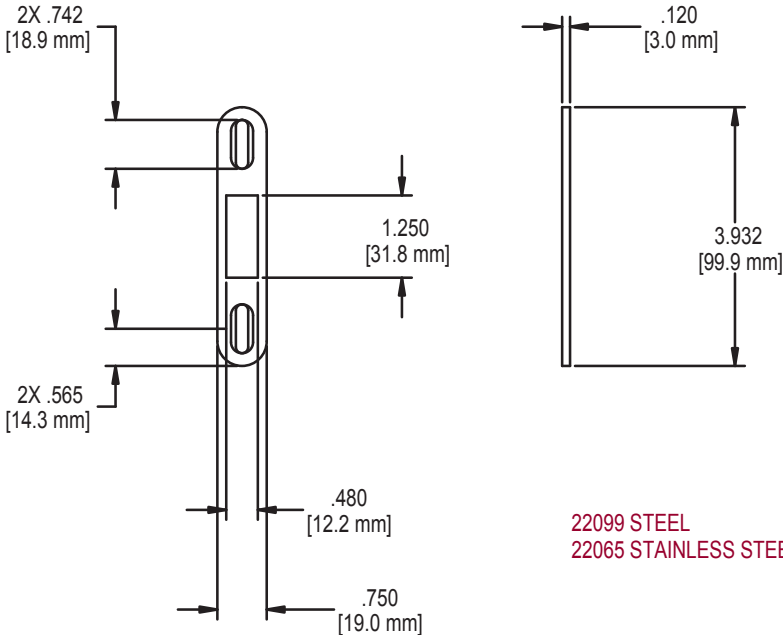
FIG. 11 32477 & 32416 KEEPER



32477 YELLOW CHROMATE PLATED
32416 CLEAR CHROMATE PLATED

RECOMMENDED SCREWS: (QTY 2) #10 PHILLIPS PAN HEAD SCREWS
(THREAD TYPE AND LENGTH TO BE DETERMINED BY
PROFILE)

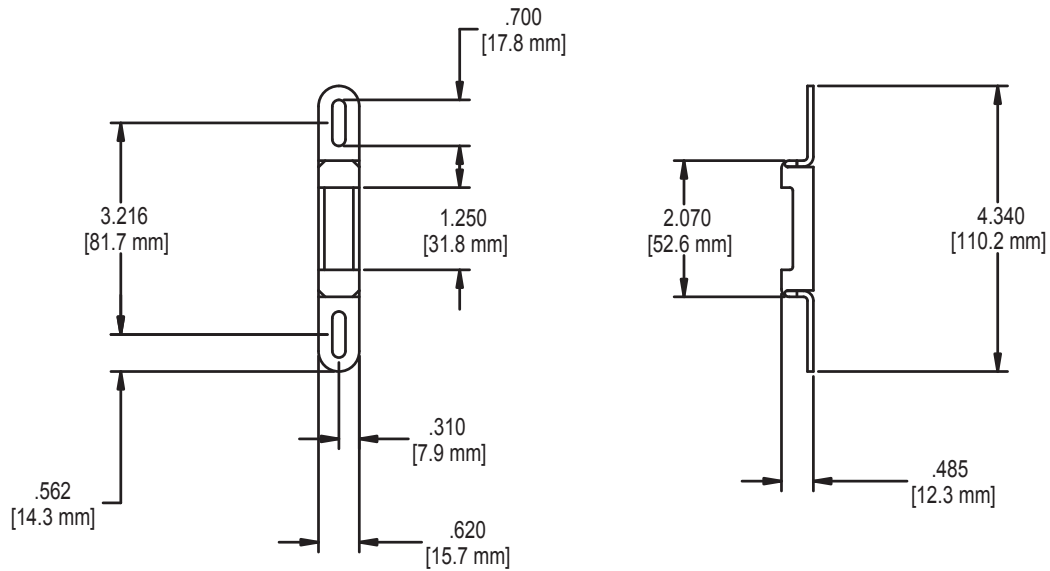
FIG. 12 22099 & 22065 KEEPER



22099 STEEL
22065 STAINLESS STEEL

RECOMMENDED SCREWS: (QTY 2) #10 PHILLIPS PAN HEAD SCREWS
(THREAD TYPE AND LENGTH TO BE DETERMINED BY
PROFILE)

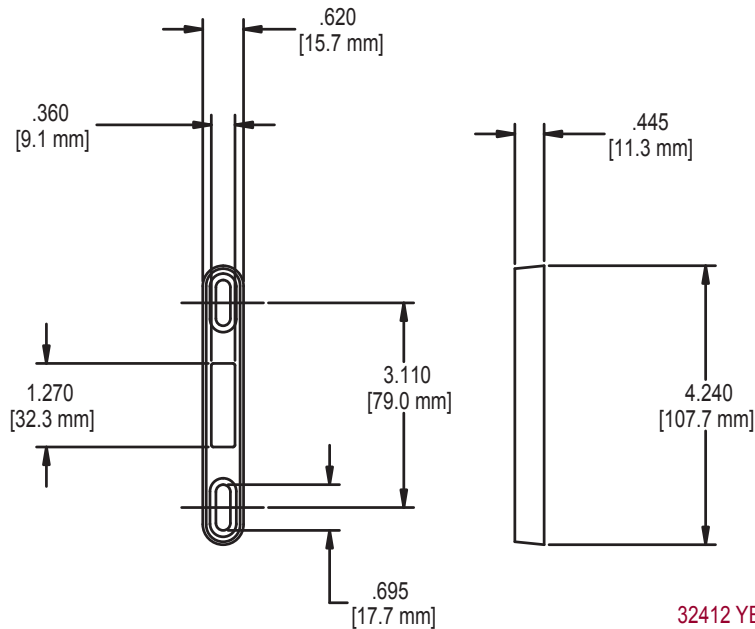
FIG. 13 32481 & 22063 KEEPER



32481 YELLOW CHROMATE PLATED
22063 STAINLESS STEEL

RECOMMENDED SCREWS: (QTY 2) #10 PHILLIPS PAN HEAD SCREWS
(THREAD TYPE AND LENGTH TO BE DETERMINED BY
PROFILE)

FIG. 14 32412 & 32505 KEEPER



32412 YELLOW CHROMATE PLATED
32505 CLEAR CHROMATE PLATED

RECOMMENDED SCREWS: (QTY 2) #10 PHILLIPS PAN HEAD SCREWS
(THREAD TYPE AND LENGTH TO BE DETERMINED BY
PROFILE)

FIG. 15 23038 SPACER

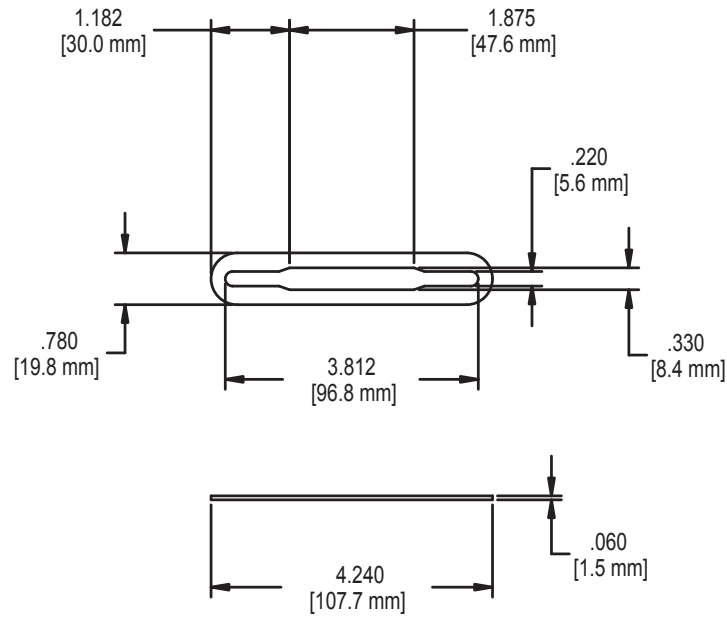
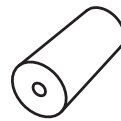
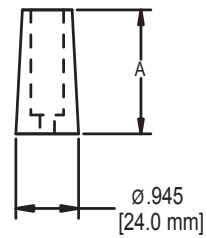


FIG. 16 22082 BUMPER



AVAILABLE BUMPER	A
I-R113-2G98	2.625
22082	2.000



RECOMMENDED SCREWS: (QTY 1) #10 PHILLIPS PAN HEAD (LENGTH AND THREAD TYPE TO BE DETERMINED BY PROFILE)

2300/2320

**MORTISE LOCKS AND
HANDLESET ACCESSORIES**
(Keepers, Spacers, Adapters and
Bumpers)



The Nexus™ Lock System from Truth Hardware is the latest in two-point and multi-point lockset options for sliding patio doors. Designed to be compatible with all industry standard handle sets, the Nexus Locking Systems have a number of standard features that have been proven by our customers to set Truth apart from the competition.

NEXUS TWO-POINT SYSTEM

Combining both versatility and easy installation, the Nexus System is suitable for either wood or vinyl door applications, and is available in three unique mounting configurations; Flush Mount, Face Mount (16mm or 20mm Euro groove), or Recessed. The Nexus 2 Point Lock is available in either stainless steel or carbon steel. The Nexus Two-Point Lock System utilizes two opposing locking points (hooks) that offers an intuitive single point of horizontal adjustment for the reach of the lock hooks.

NEXUS MULTI-POINT LOCK SYSTEM

The Nexus Multi-Point Lock System which is offered in stainless steel as a standard has three individually adjustable locking points with opposing upper and lower lock points to prevent the door from being lifted which further enhances its security. A greater adjustment range at the remote hooks provides the additional forgiveness needed on doors which may be out-of-square due to poor installation.

MATERIAL & FINISHES: Standard features for the Nexus family of lock systems includes:

ANTI-SLAM FEATURE: Truth's "anti-slam" feature prevents potential damage to the door or locking system hooks by not allowing the hooks to be extended unless the door is closed against the frame. This feature ensures that when the lock is operated it is close enough to properly engage the keeper avoiding a "false" sense of lock up.

STANDARD & EXTENDED REACH:

The Nexus Locking System has two

options for the lock, standard and extended reach, which each have a horizontal adjustment feature built into them to offer additional forgiveness.

INDUSTRY TESTED: The Nexus Lock Systems have been built to help customers meet the AAMA and CAWM forced entry requirements. The Nexus Two-Point System can exceed 2,800 lbs. of pulling force and the Multi-Point System exceeds 3,000 lbs.

KEEPERS:

Truth realizes that no two door systems are exactly alike; therefore we have designed multiple keeper options to accommodate your application. In addition, a special "keeper locator" makes the installation of the keeper virtually fool proof.

WARRANTY:

Protected under the terms of the Truth Warranty for Window and Door Manufacturers and Authorized Distributors. Refer to Truth's Terms and Conditions for further details.

ORDERING INFORMATION:

Because of the variety of sliding patio door designs on the market, Truth Hardware suggests that you contact Truth's Technical Service Department to help you identify the components that will best meet your requirements. To assist us in helping you identify the product that you need, please be prepared to provide Truth with the type and style of profile that you are mounting your hardware to.

TRUTH TIPS:

1. A Truth Hardware Secondary Patio Door Lock or Limiter can be added for applications requiring additional security.
2. Bumper guards (Truth item number 22082.XX), to keep door sash from contacting the opposite jamb during its travel, are highly recommended (see Handleset Accessories section).
3. If hardware shown cannot be fitted to the door because of door/hardware



Face - Mount



Recessed - Mount



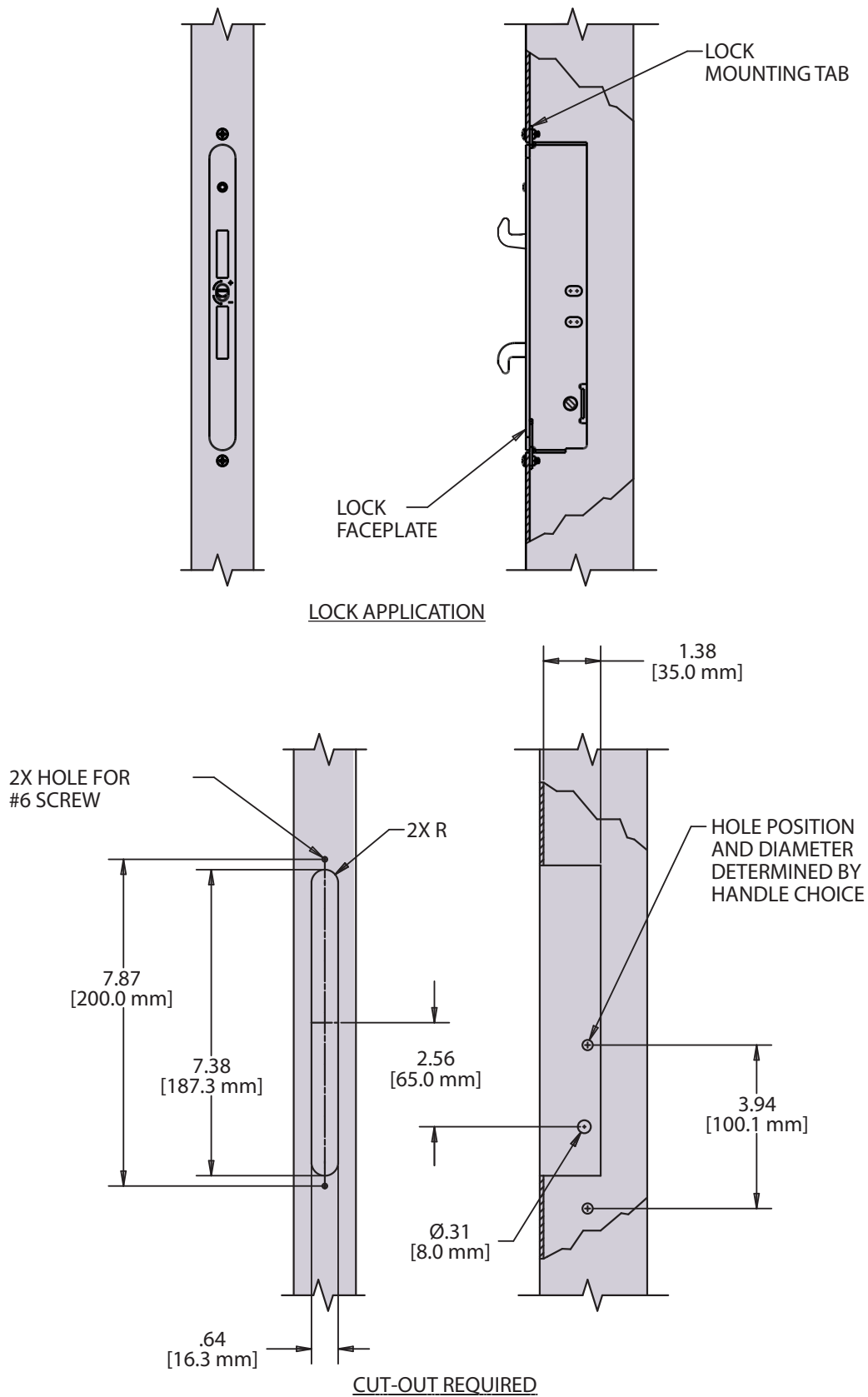
Multi - Point

interference, contact Truth for other available options.

4. Installation of longer screws into the keeper rail will increase security. Screws long enough to reach the rough opening frame are recommended.
5. For easy correction of out of square or racked door installations, the use of Jamb Jack (frame adjusters) are recommended. Frame adjustment can improve both weather seal tightness and door operation over the life of the door.
6. For vinyl applications, mounting screws should pass through two PVC walls or one PVC wall and one insert wall. For this reason, it may be necessary to use a longer screw than is recommended.

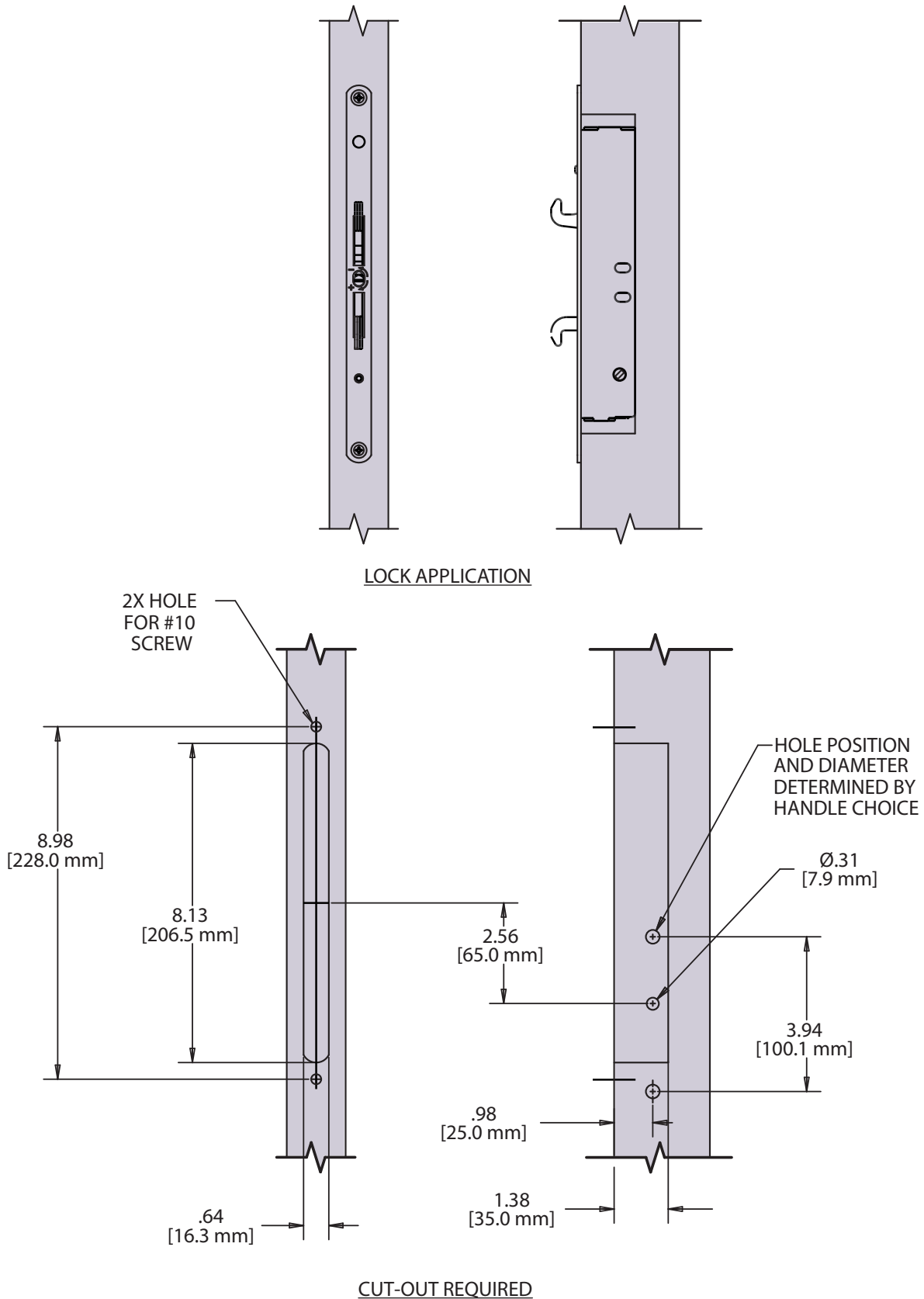
NEXUS TWO-POINT MORTISE LOCK

FIG. 1 TWO POINT MORTISE, SHORT FACEPLATE APPLICATION



NEXUS TWO-POINT MORTISE LOCK

FIG. 3 TWO POINT MORTISE LOCK, LONG FACEPLATE APPLICATION
(16mm AND 20 mm FACEPLATE)



NEXUS TWO-POINT MORTISE LOCK

FIG. 5 TWO POINT MORTISE LOCK RECESSED FACEPLATE APPLICATION

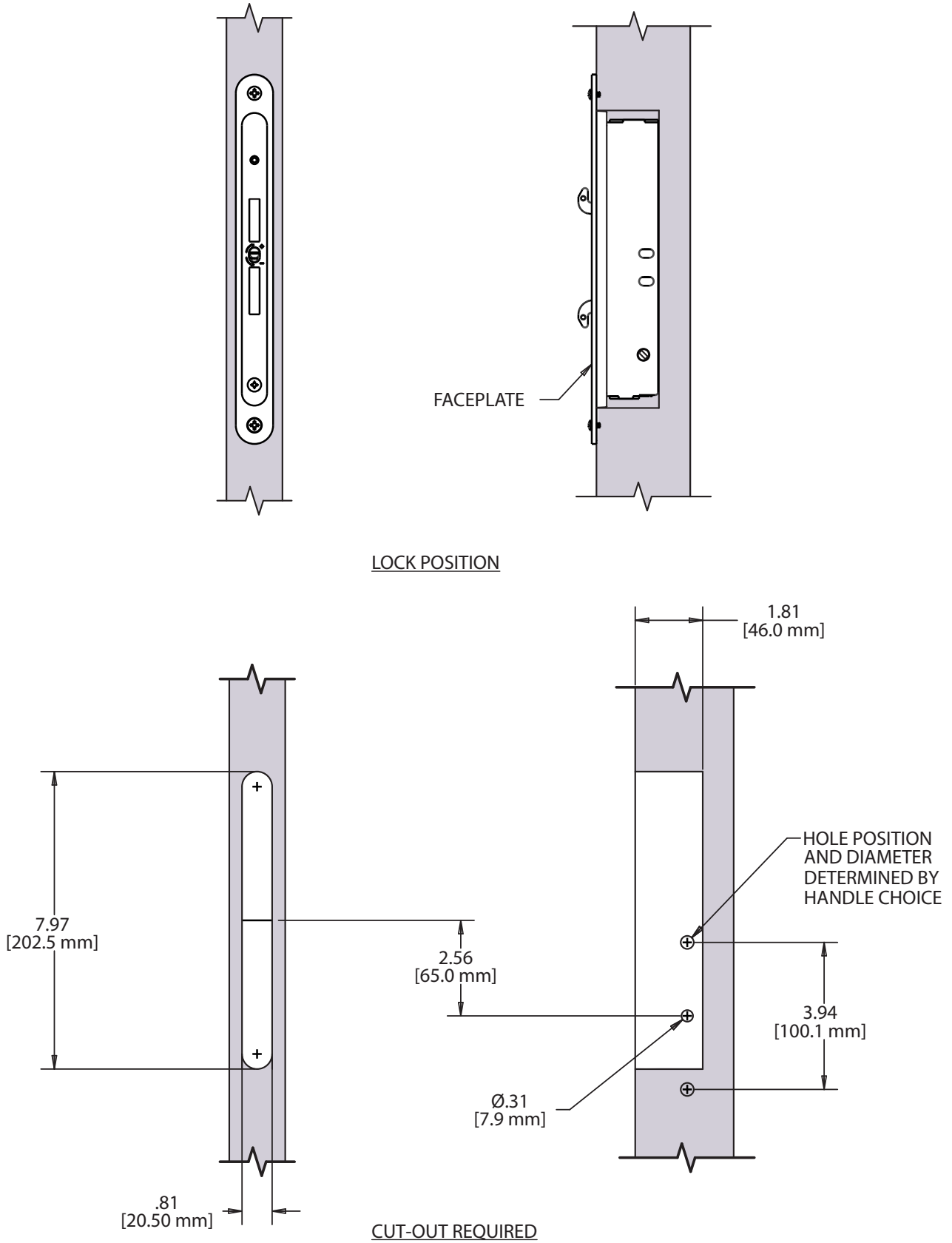
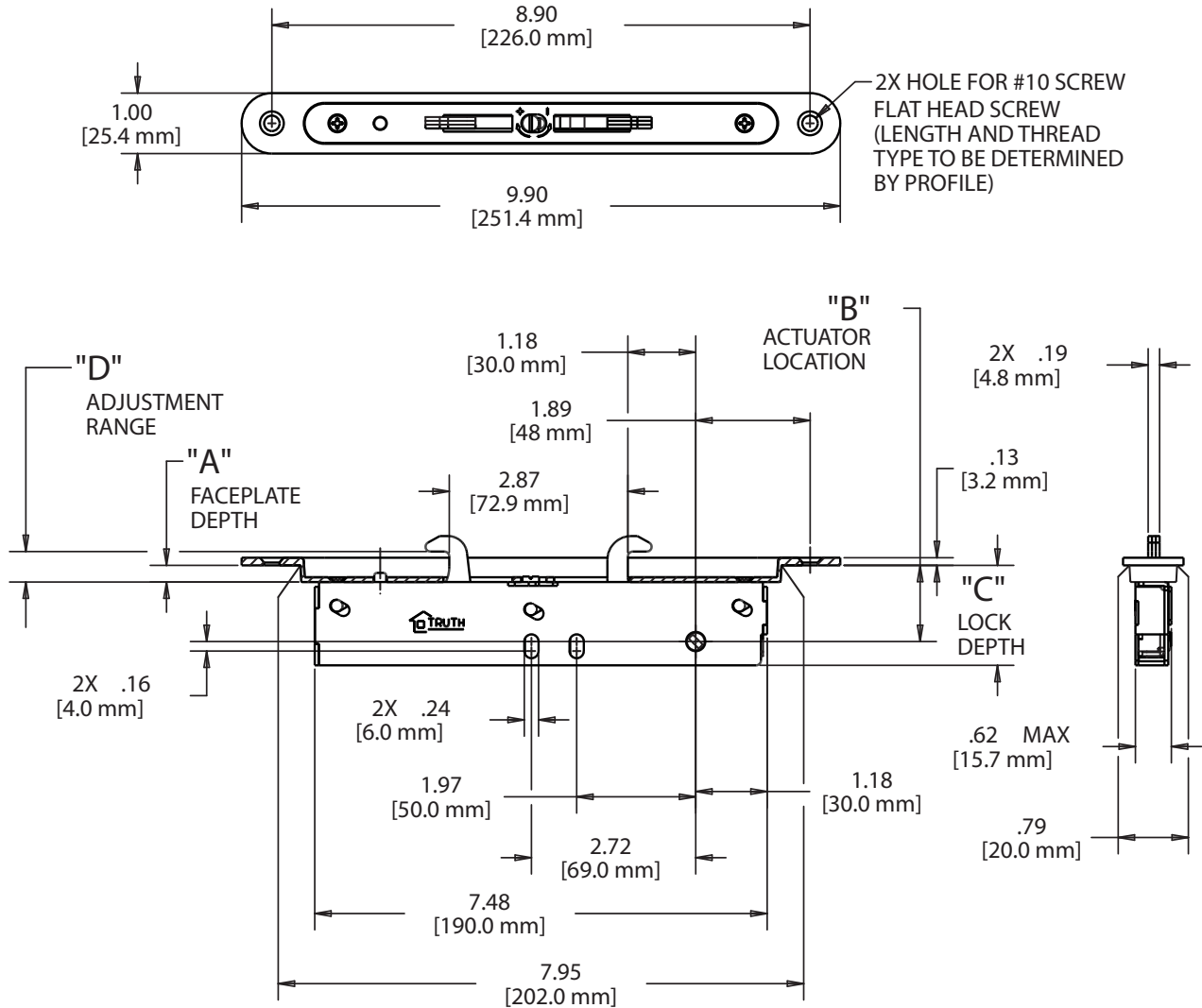


FIG. 6 TWO POINT MORTISE LOCK, RECESSED FACEPLATE (STEEL)



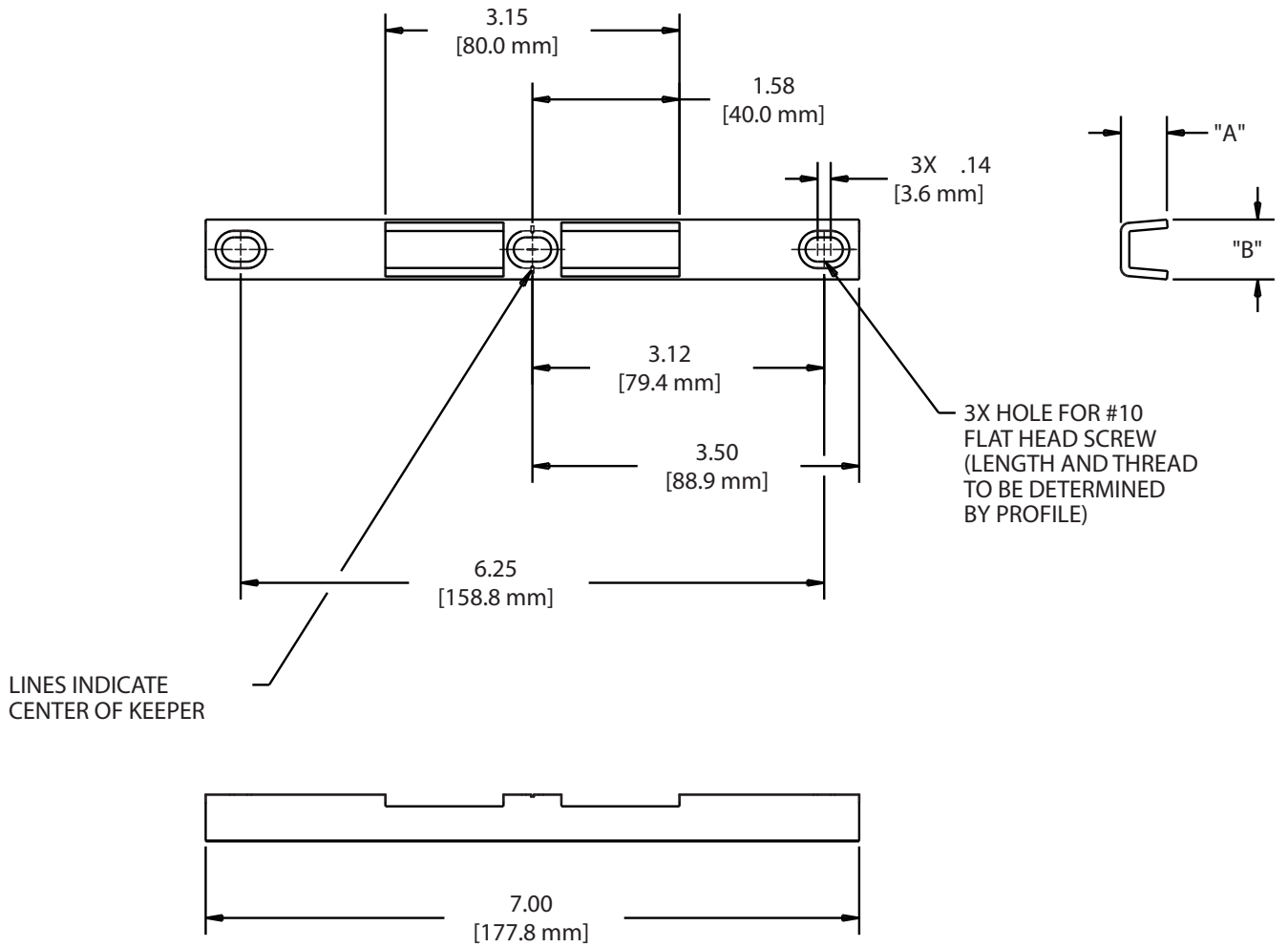
NOTES:

HOOK ADJUSTMENTS RANGE: STANDARD .38 (9.6 mm)
 .25 (6.3 mm)

EXTENDED .49 (12.4 mm)
 .36 (9.1 mm)

PART NUMBER	"A" FACEPLATE DEPTH	"B" ACTUATOR LOCATION	"C" LOCK DEPTH	"D" ADJUSTMENT RANGE
13326	.28(7.0 mm)	1.26(32.0 mm)	1.65(42.4 mm)	STANDARD
13328	.28(7.0 mm)	1.26(32.0 mm)	1.65(42.4 mm)	EXTENDED
13303	.19(4.7 mm)	1.17(29.7 mm)	1.56(39.6 mm)	STANDARD
13410	.19(4.7 mm)	1.17(29.7 mm)	1.56(39.6 mm)	EXTENDED

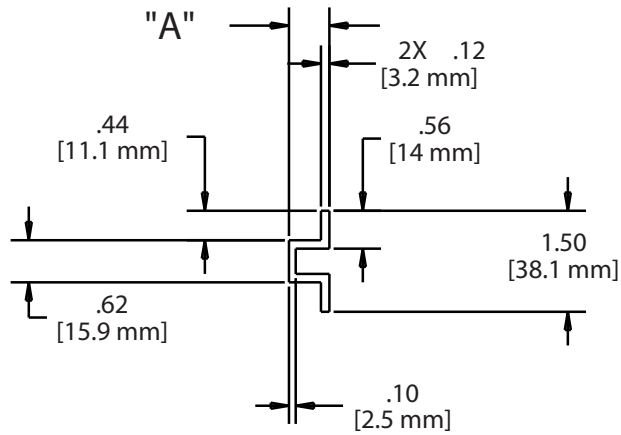
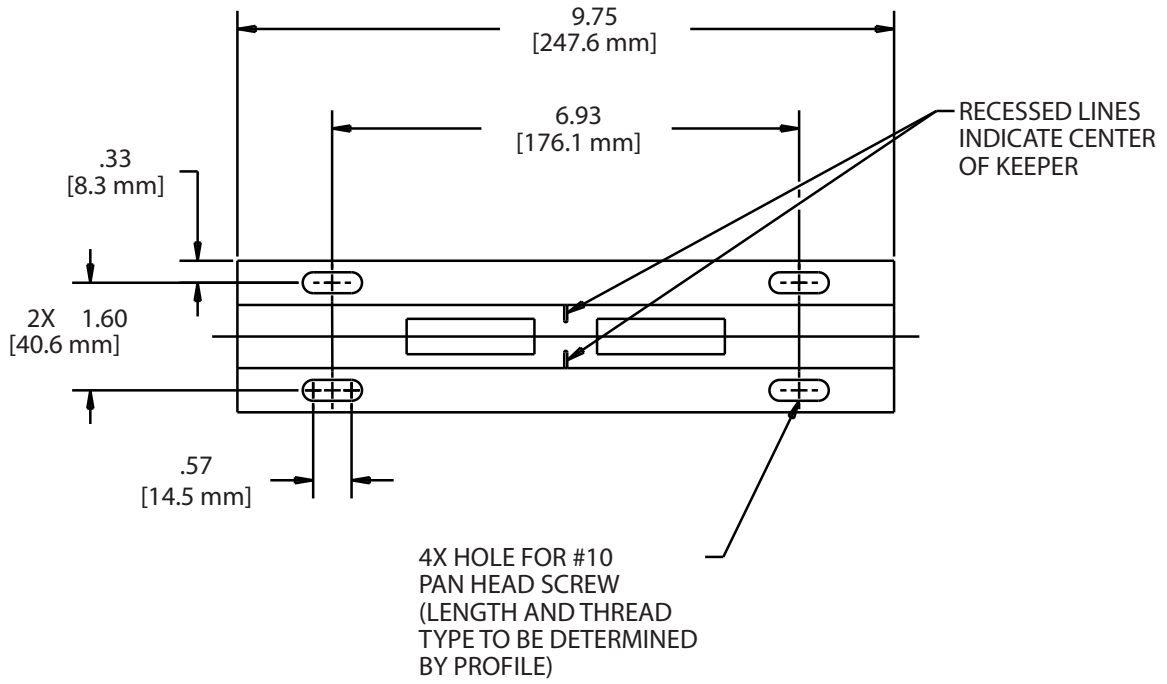
FIG. 8 KEEPER, TWO POINT MORTISE LOCK



PART NUMBER	MATERIAL	MATERIAL THICKNESS	"A" DIMENSION	"B" DIMENSION
33182	STEEL	.09(2.3 mm)	.50(12.7 mm)	.64(16.3 mm)
33183	STAINLESS STEEL	.08(2.0 mm)	.50(12.7 mm)	.64(16.3 mm)
33184	STEEL	.09(2.3 mm)	1.00(25.4 mm)	.73(18.5 mm)
33185	STAINLESS STEEL	.08(2.0 mm)	1.00(25.4 mm)	.73(18.5 mm)
33291	STEEL	.09(2.3 mm)	.75(19.0 mm)	.68(17.3 mm)
33292	STAINLESS STEEL	.08(2.0 mm)	.75(19.0 mm)	.68(17.3 mm)

NEXUS TWO-POINT MORTISE LOCK

FIG. 9 KEEPER, TWO POINT MORTISE LOCK



PART NUMBER	"A" KEEPER HEIGHT
33194	.60(15.2 mm)
33355	.50(12.7 mm)

FIG. 10 KEEPER, TWO POINT MORTISE LOCK PLATE

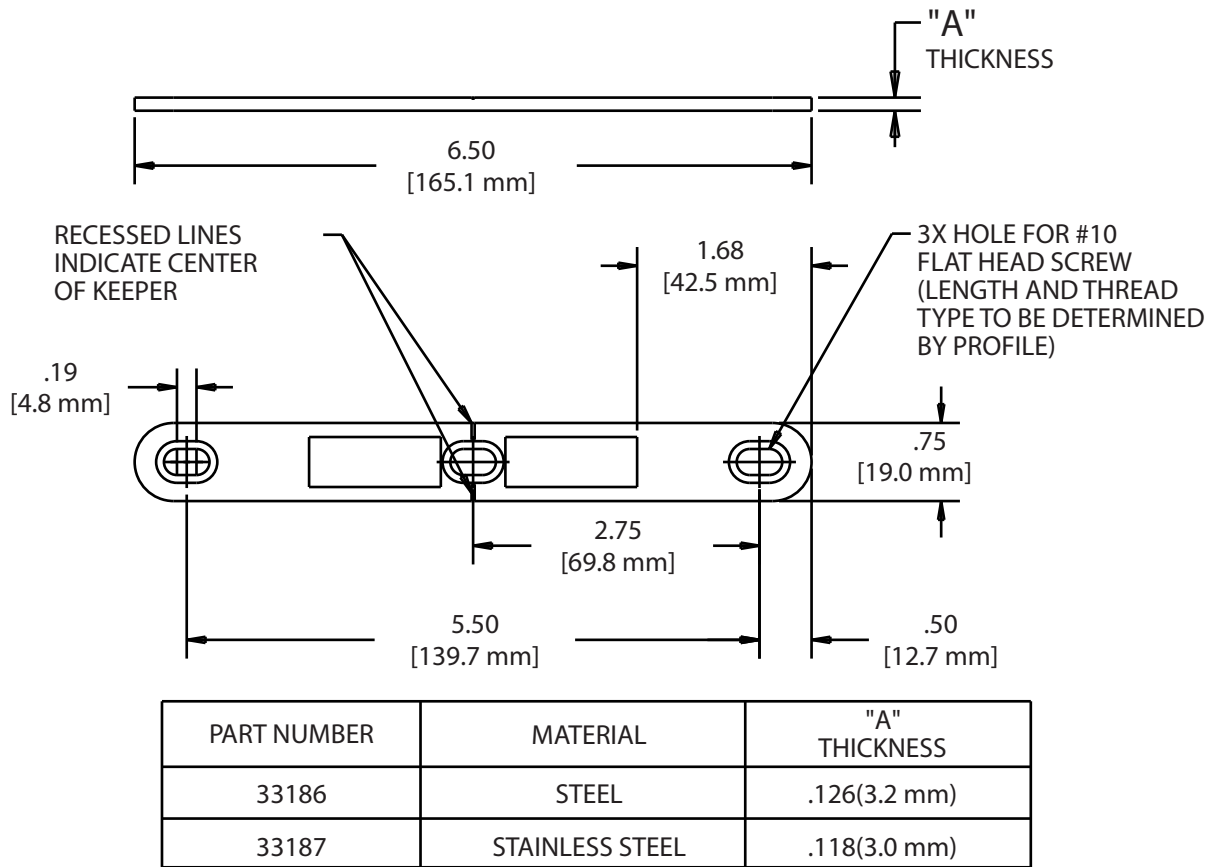
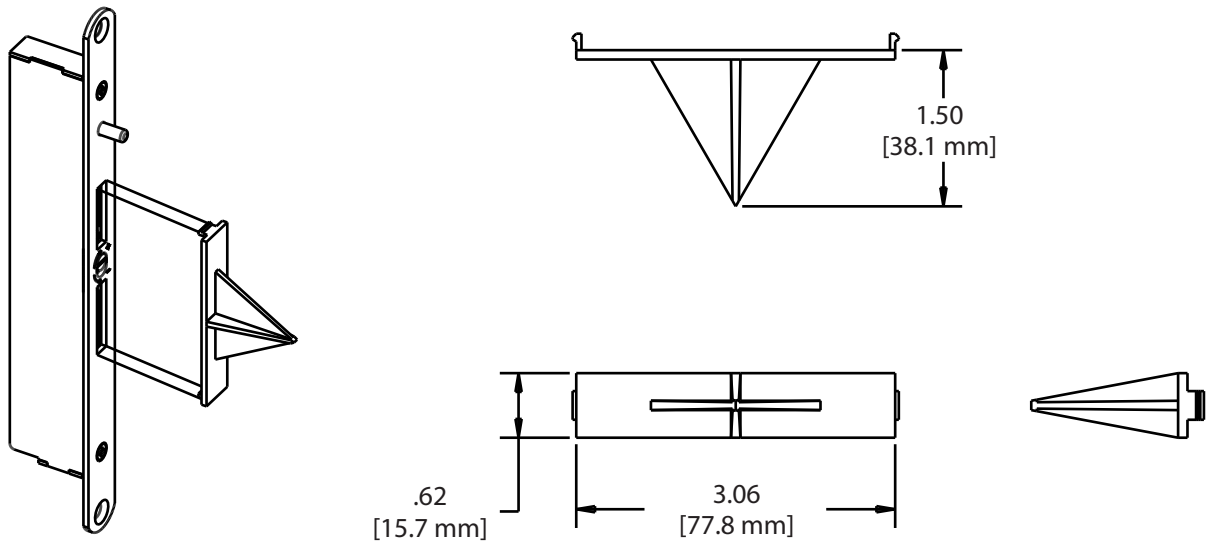
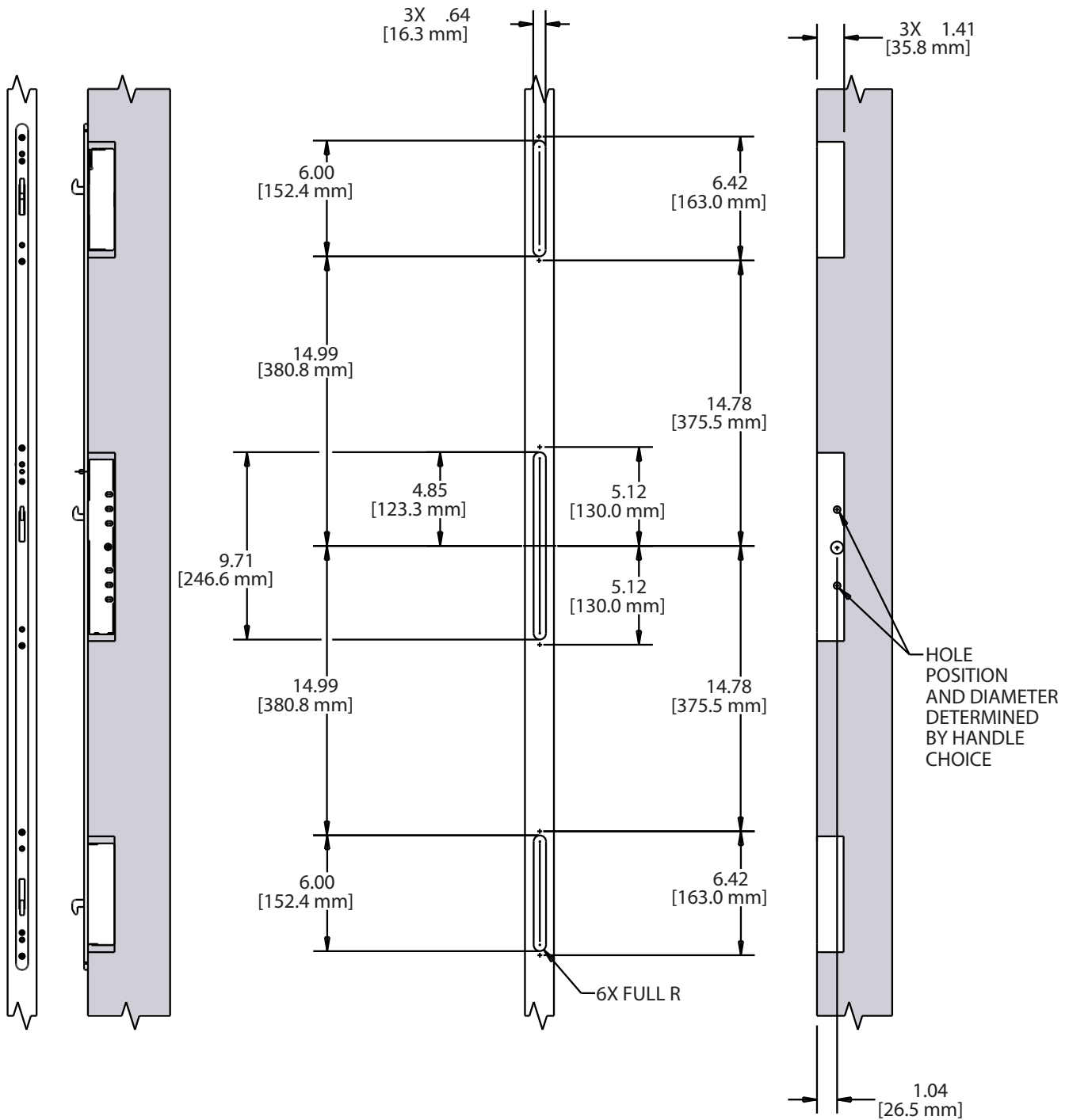


FIG. 11 33276 KEEPER LOCATOR, TWO POINT MORTISE LOCK PLATE



NEXUS THREE-POINT MORTISE LOCK

FIG. 12 THREE POINT MORTISE LOCK, FACE MOUNT APPLICATION

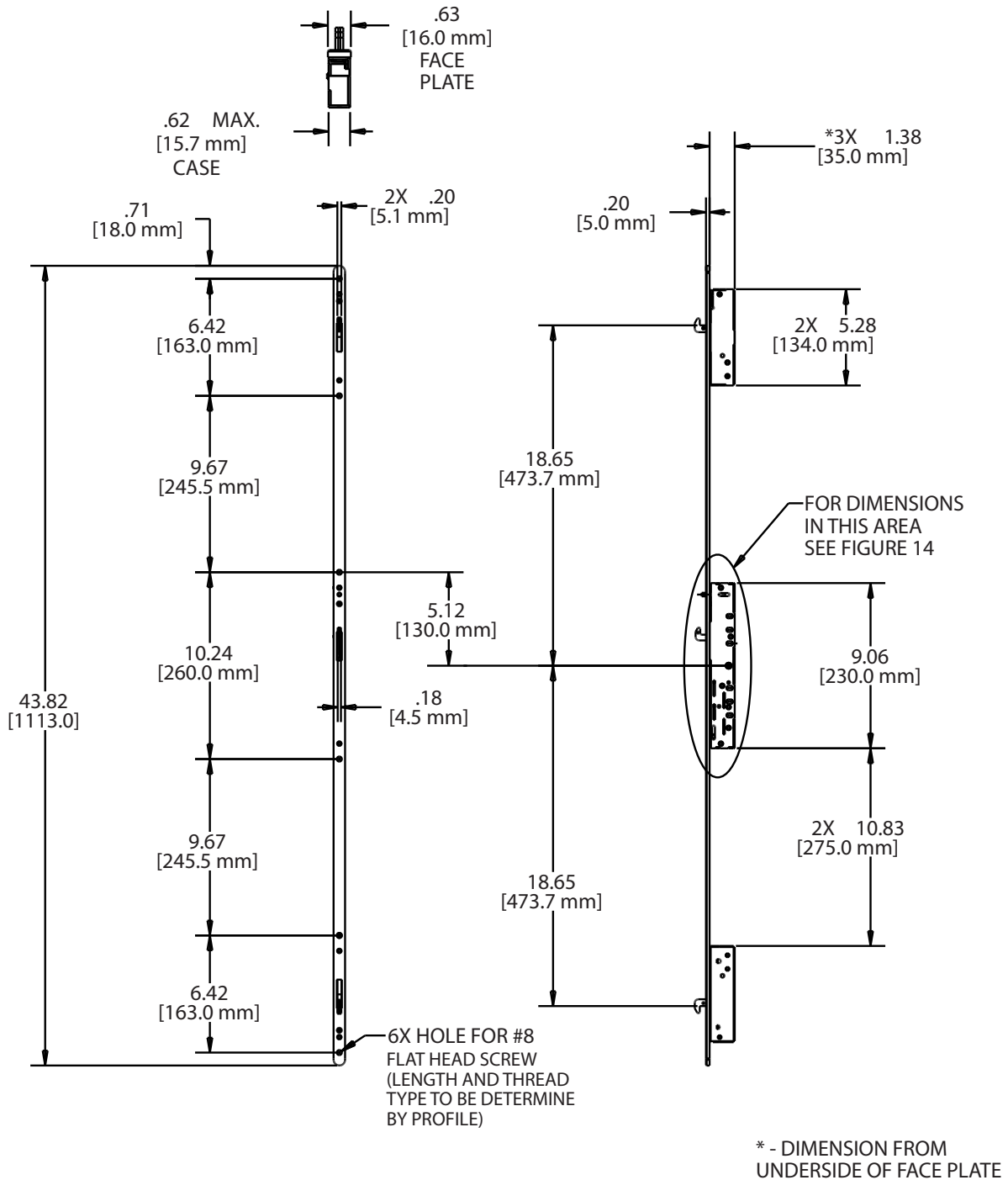


HARDWARE APPLICATION

CUT OUT REQUIRED

NEXUS THREE-POINT MORTISE LOCK

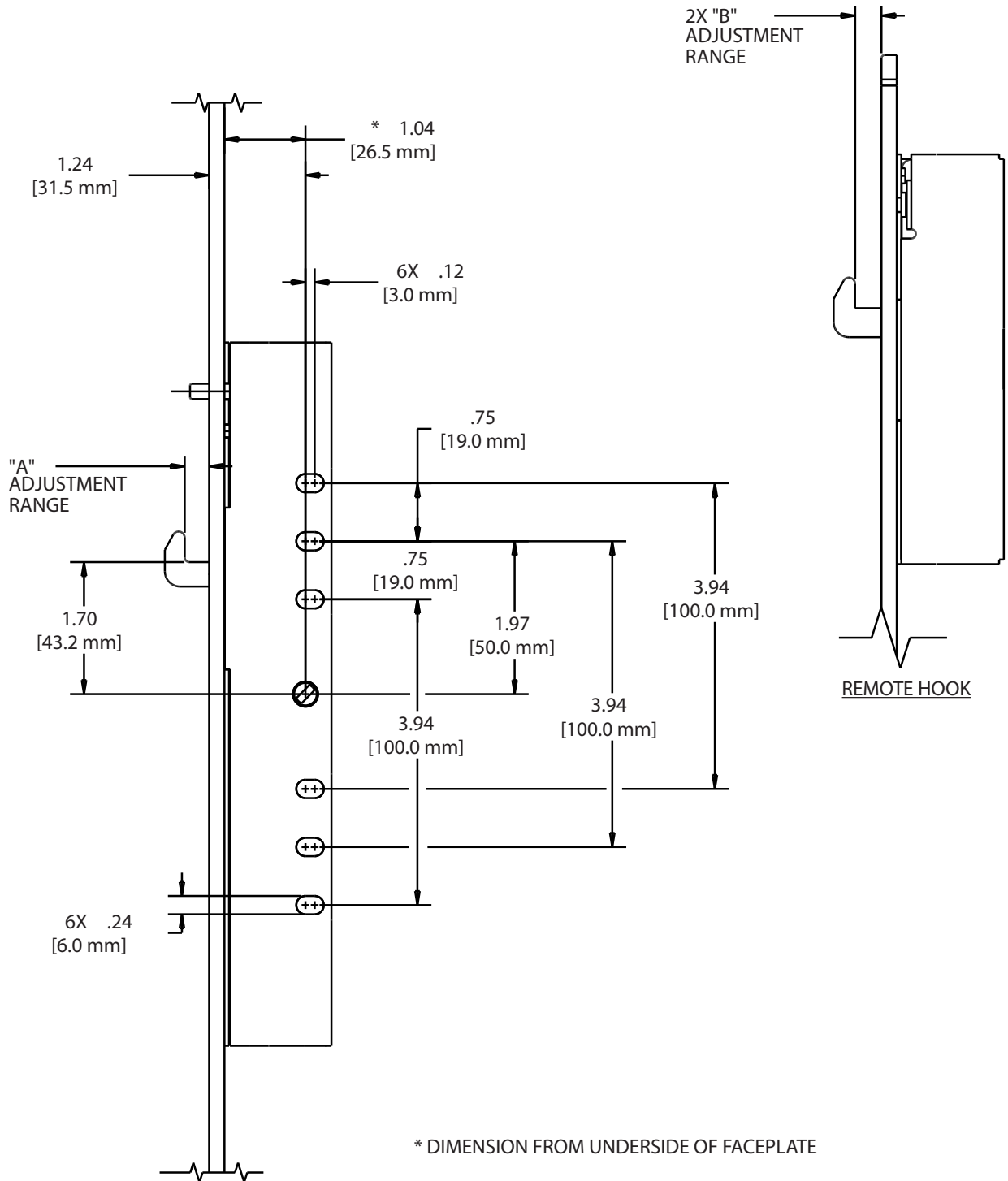
FIG. 13 THREE POINT MORTISE LOCK, FACE MOUNT STANDARD BACKSET



PART NUMBER	HOOK LENGTH	"A" ADJUSTMENT RANGE SEE FIG. 14	"B" ADJUSTMENT RANGE SEE FIG. 14
13340	STANDARD	.18-.31(4.6-7.8mm)	.18-.35 (4.6-8.8mm)
13341	EXTENDED	.28-.41 (7.1-10.3mm)	.30-.46 (7.6-11.8mm)

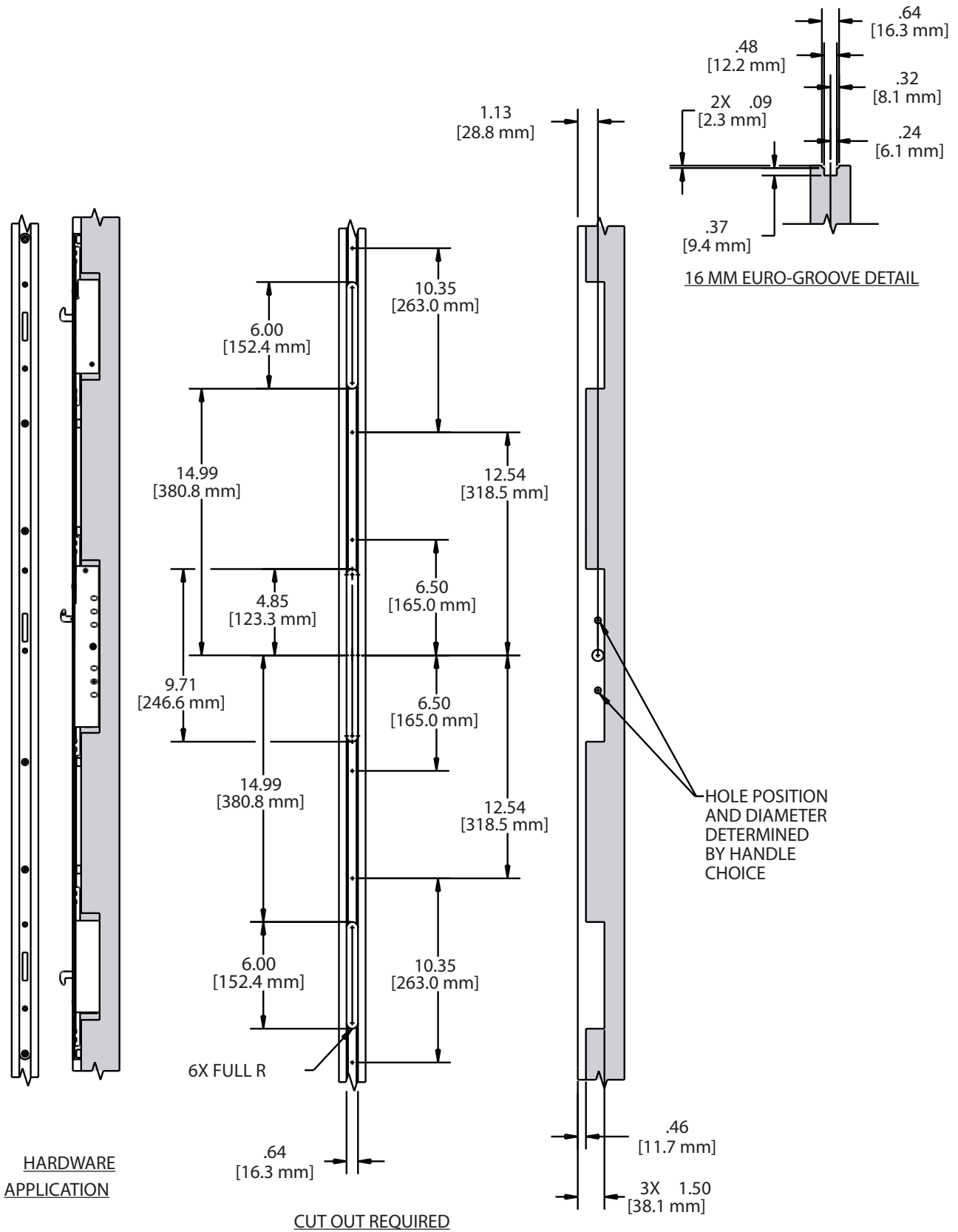
NEXUS THREE-POINT MORTISE LOCK

FIG. 14 THREE POINT MORTISE LOCK, FACE MOUNT DETAIL, STANDARD BACKSET



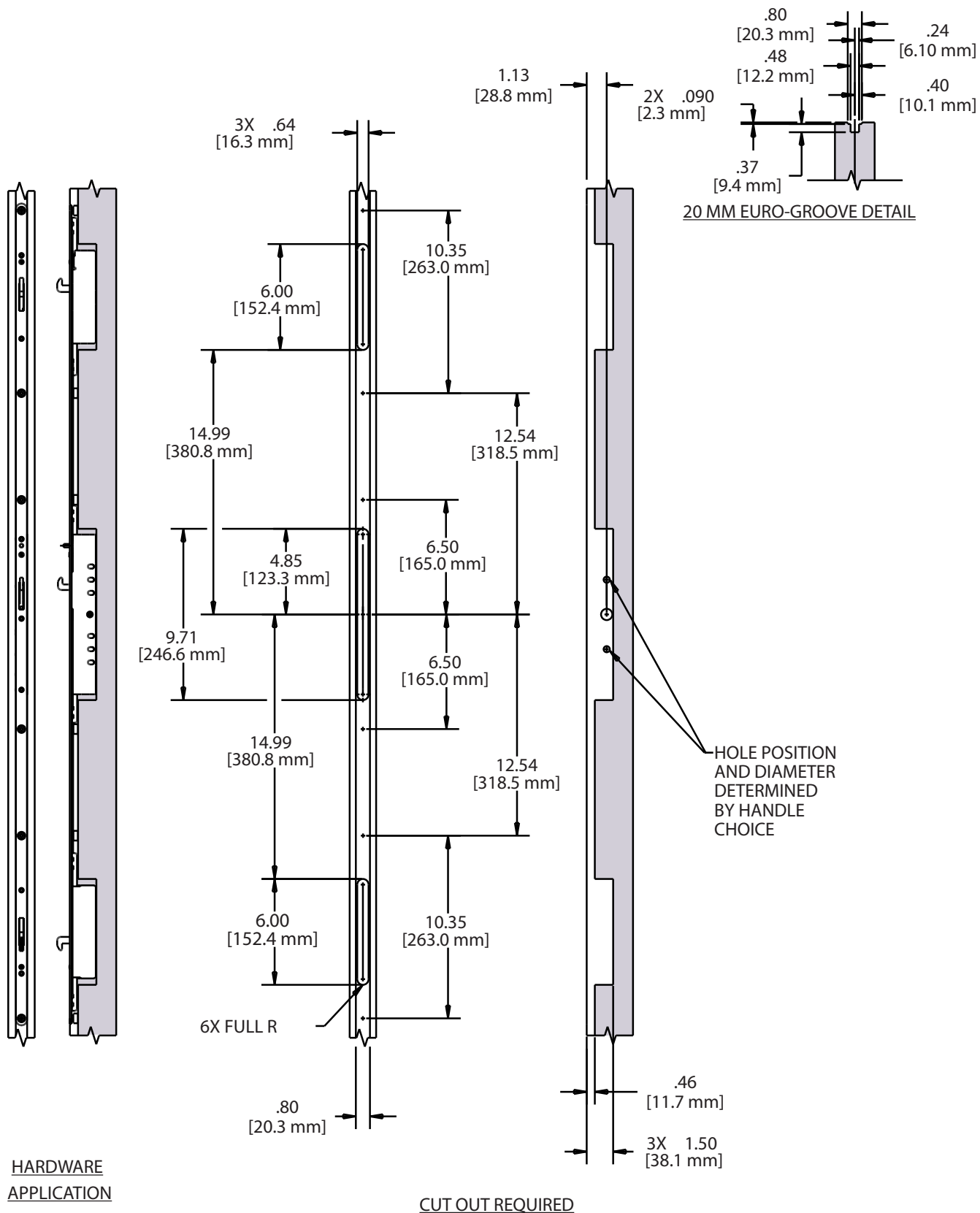
NEXUS THREE-POINT MORTISE LOCK

FIG. 15 THREE POINT MORTISE LOCK, 16mm EURO-GROOVE APPLICATION STANDARD BACKSET



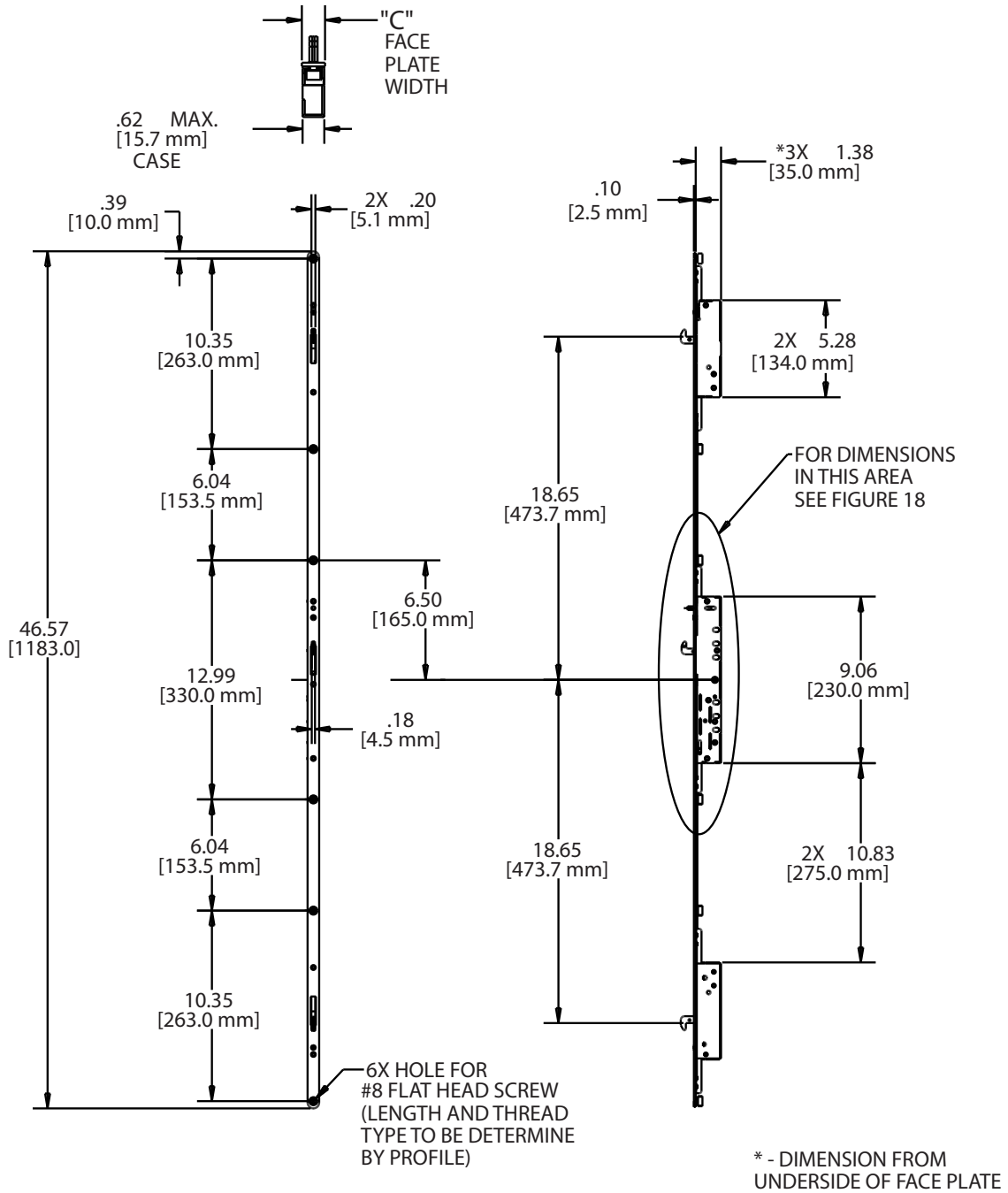
NEXUS THREE-POINT MORTISE LOCK

FIG. 16 THREE POINT MORTISE LOCK, 20mm EURO-GROOVE APPLICATION STANDARD BACKSET



NEXUS THREE-POINT MORTISE LOCK

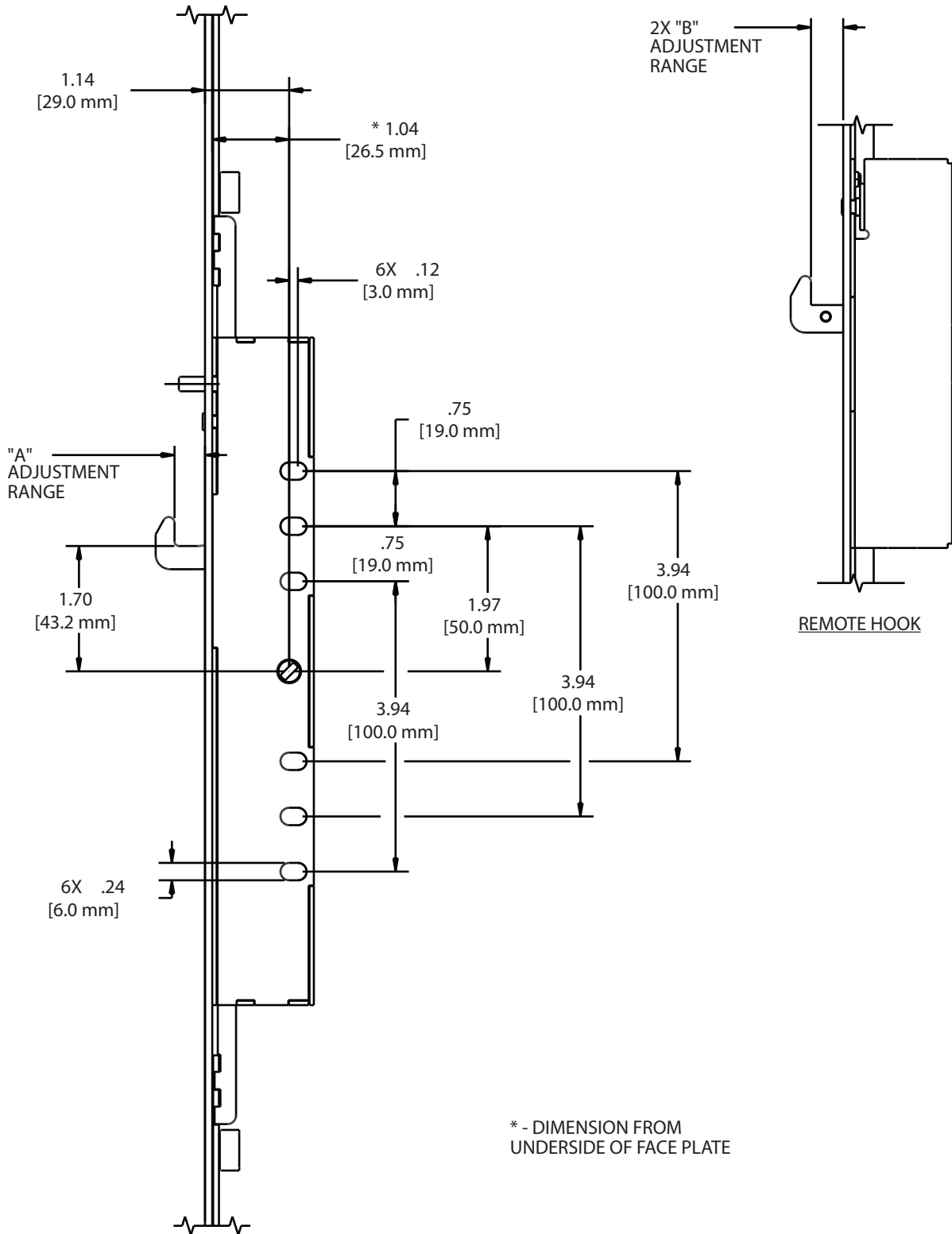
FIG. 17 THREE POINT MORTISE LOCK EURO-GROOVE STANDARD BACKSET (16mm and 20mm)



PART NUMBER	HOOK LENGTH	"A" ADJUSTMENT RANGE SEE FIG. 18	"B" ADJUSTMENT RANGE SEE FIG. 18	"C" FACE PLATE
13149	STANDARD	.15-.28(3.9-7.1 mm)	.15-.32(3.9-8.1 mm)	.63(16 mm)
13150	EXTENDED	.27-.40(6.9-10.1 mm)	.27-.44(6.9-11.1 mm)	.63(16 mm)
13151	STANDARD	.15-.28(3.9-7.1 mm)	.15-.32(3.9-8.1 mm)	.79(20 mm)
13152	EXTENDED	.27-.40(6.9-10.1 mm)	.27-.44(6.9-11.1 mm)	.79(20 mm)

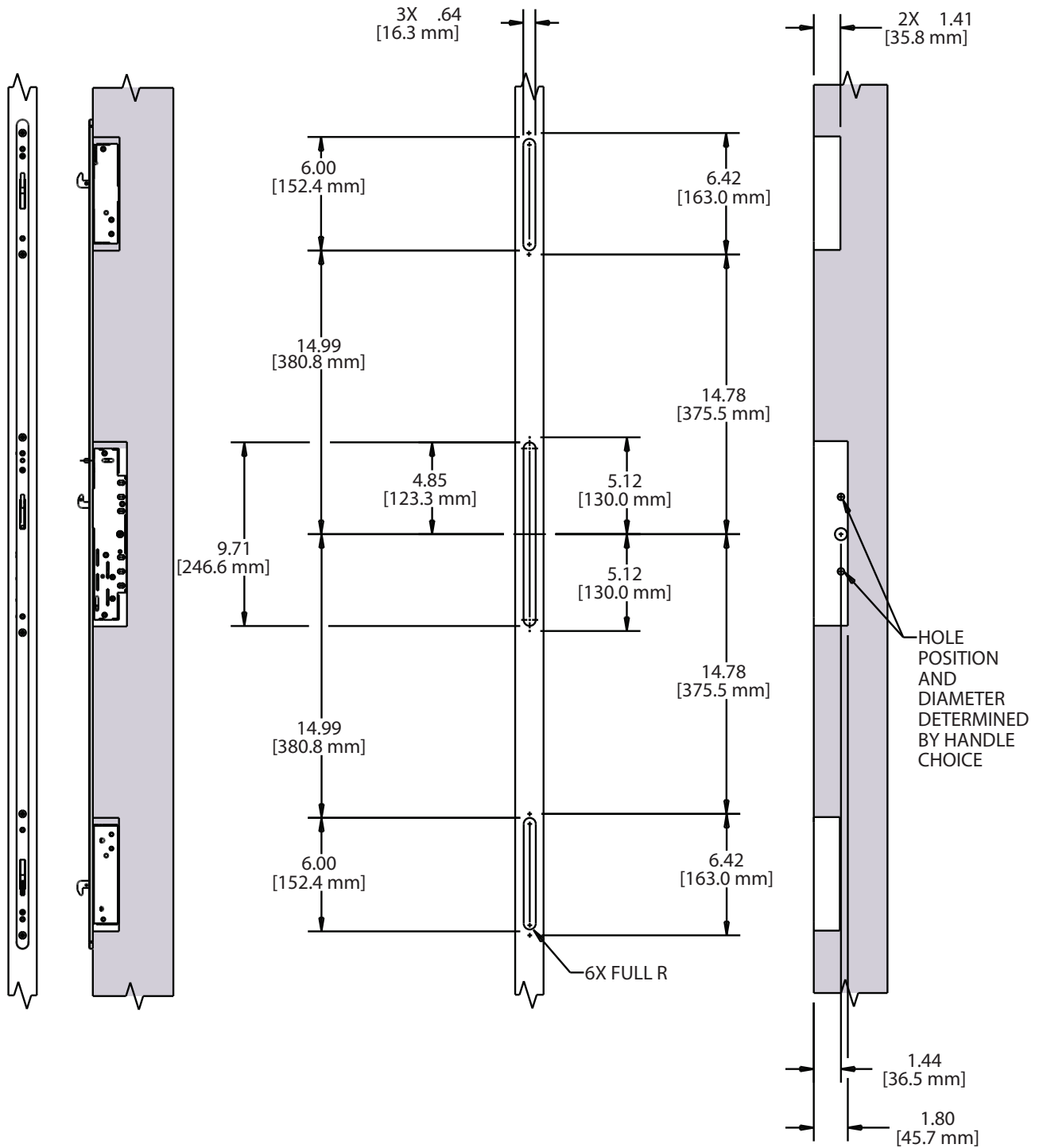
NEXUS THREE-POINT MORTISE LOCK

FIG. 18 THREE POINT MORTISE LOCK, EURO-GROOVE DETAIL, STANDARD BACKSET



NEXUS THREE-POINT MORTISE LOCK

FIG. 19 THREE POINT MORTISE LOCK, FACE MOUNT APPLICATION DEEP BACKSET

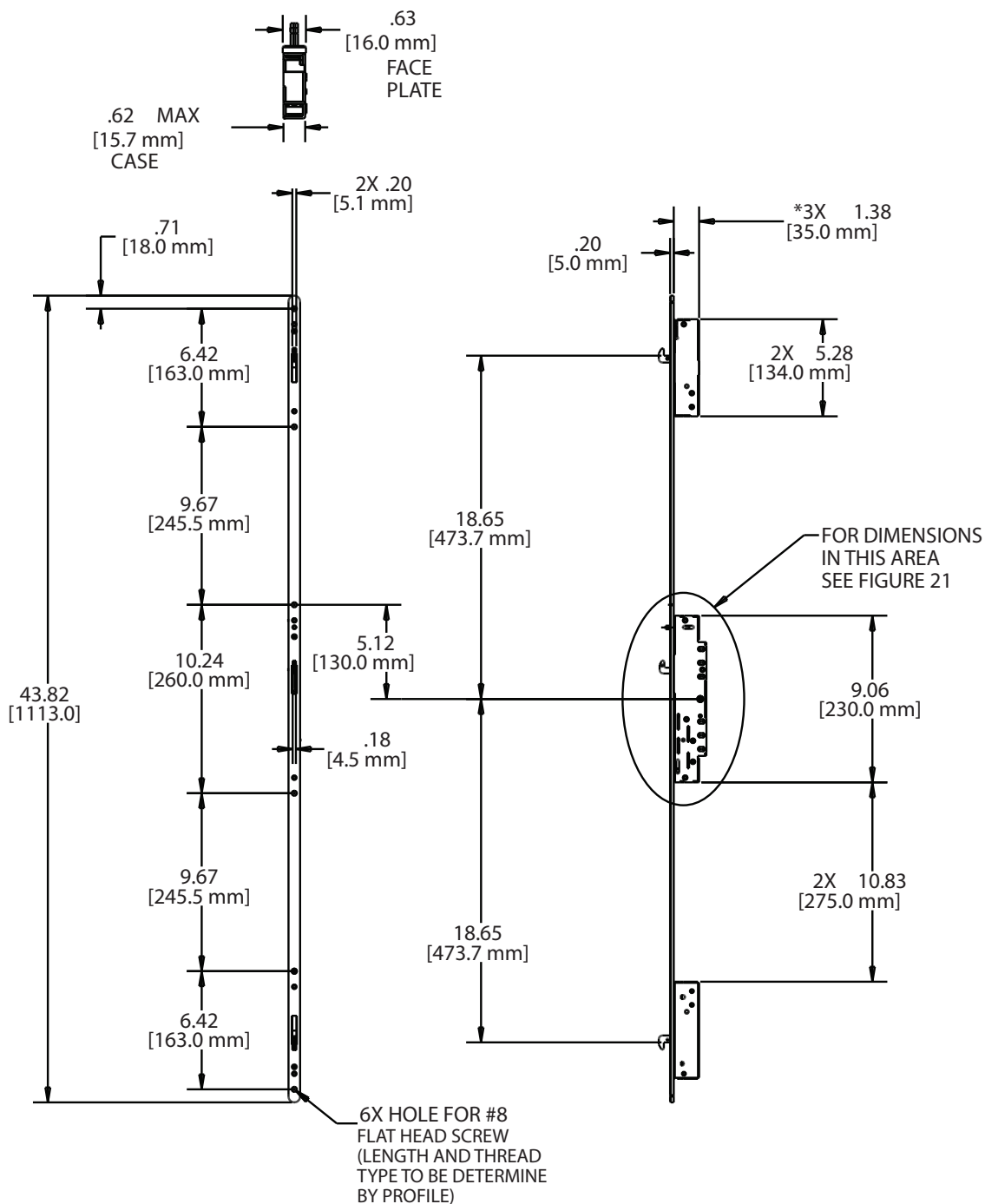


LOCK APPLICATION

CUT OUT REQUIRED

NEXUS THREE-POINT MORTISE LOCK

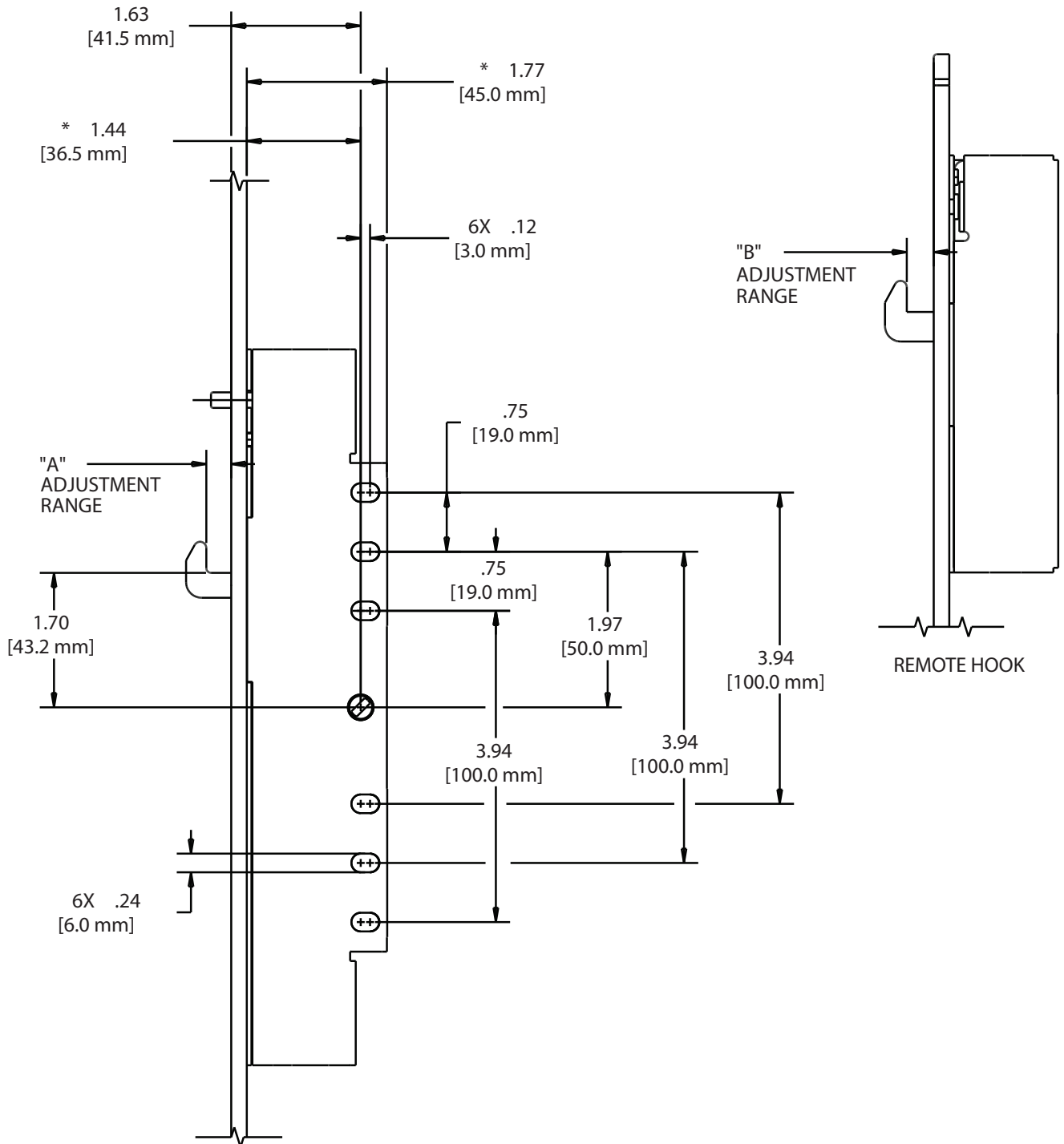
FIG. 20 THREE POINT MORTISE LOCK, FACE MOUNT, DEEP BACKSET



PART NUMBER	HOOK LENGTH	"A" ADJUSTMENT RANGE SEE FIG. 21	"B" ADJUSTMENT RANGE SEE FIG. 21
13781	STANDARD	.18-.31 (4.6-7.8mm)	.18-.35 (4.6-8.8mm)
13782	EXTENDED	.28-.41 (7.1-10.3mm)	.30-.46 (7.6-11.8mm)

**NEXUS
THREE-POINT
MORTISE LOCK**

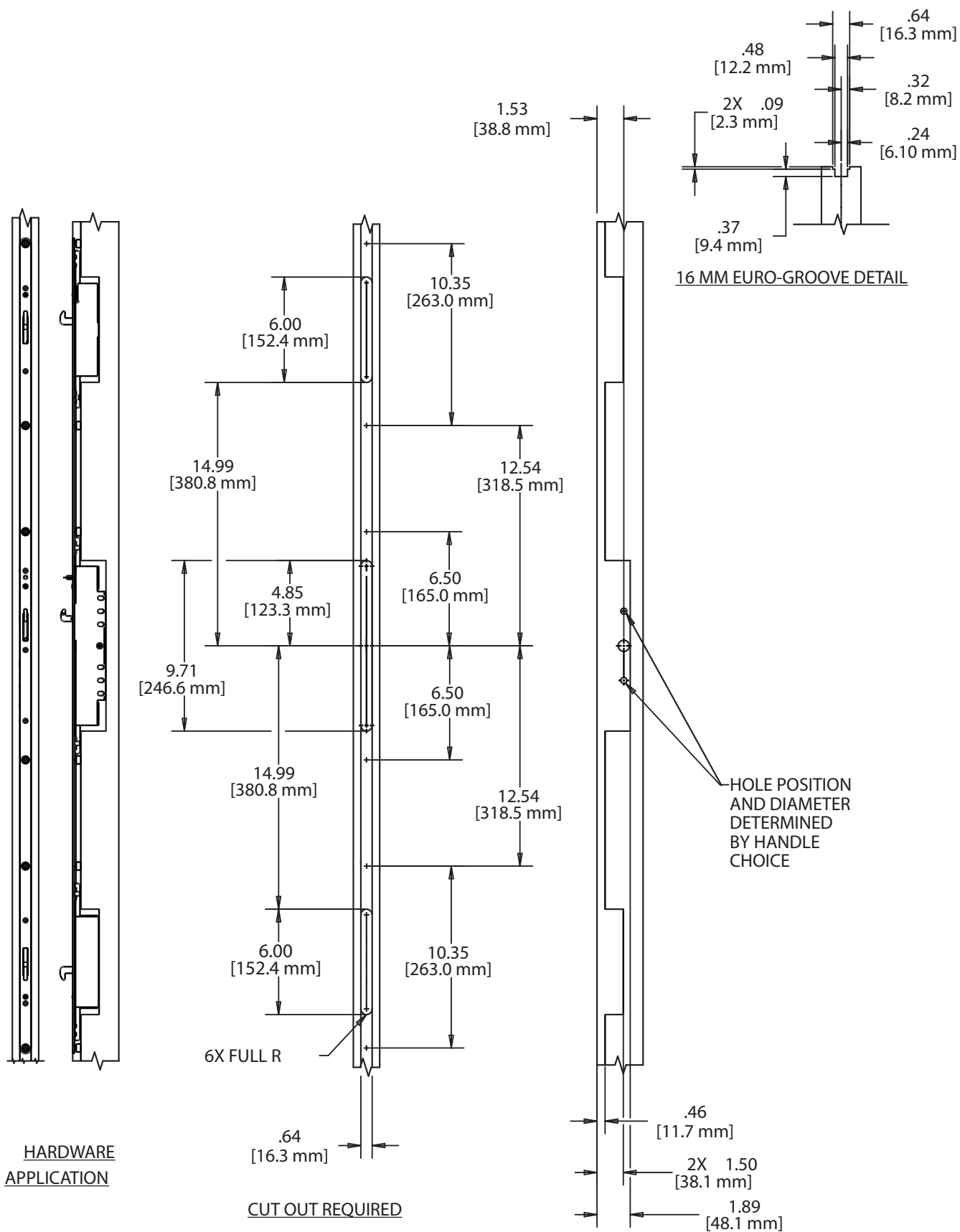
FIG. 21 THREE POINT MORTISE LOCK, FACE MOUNT DETAIL, DEEP BACKSET



* DIMENSION FROM UNDERSIDE OF FACEPLATE

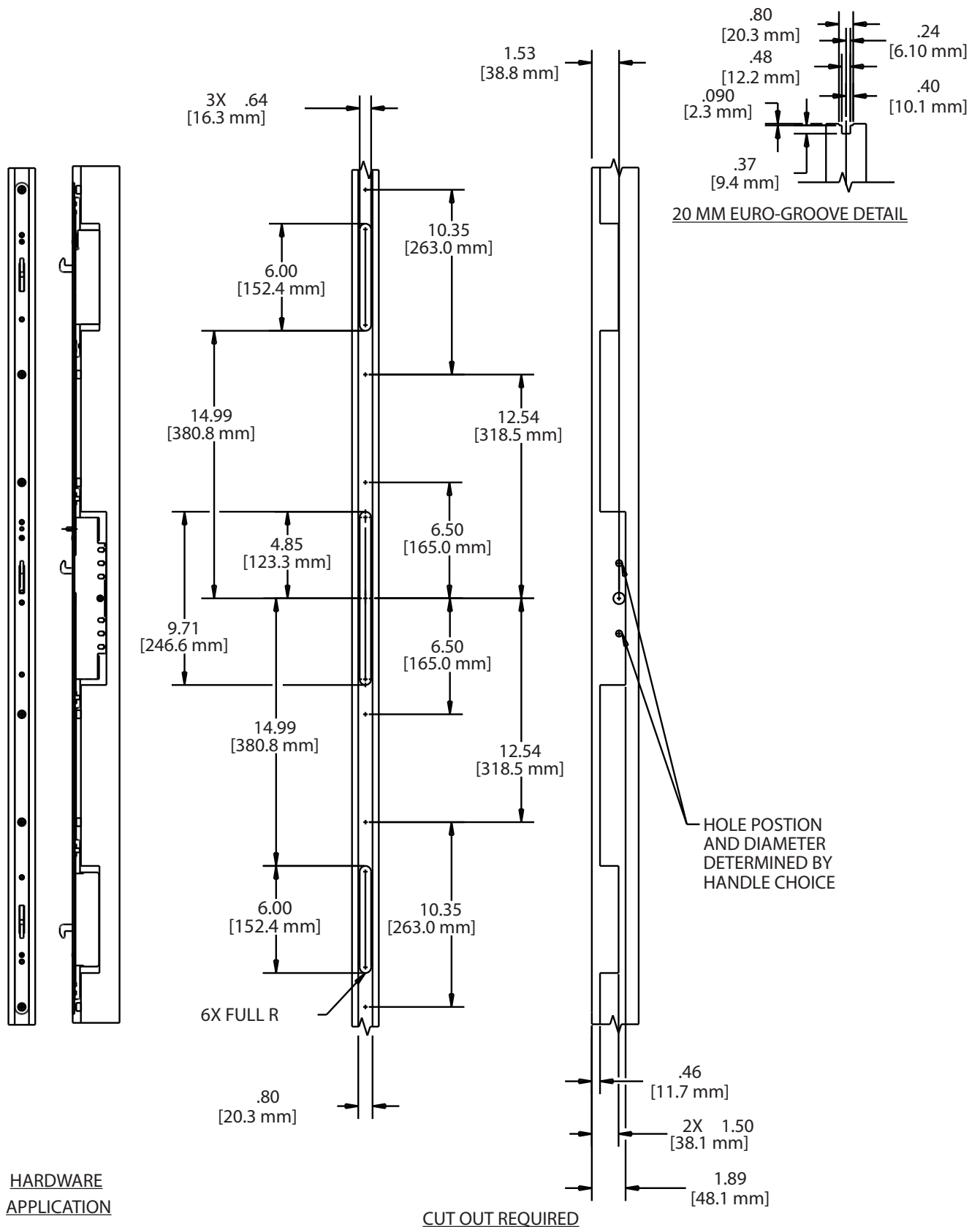
NEXUS THREE-POINT MORTISE LOCK

FIG. 22 THREE POINT MORTISE LOCK, 16mm EURO-GROOVE APPLICATION, DEEP BACKSET



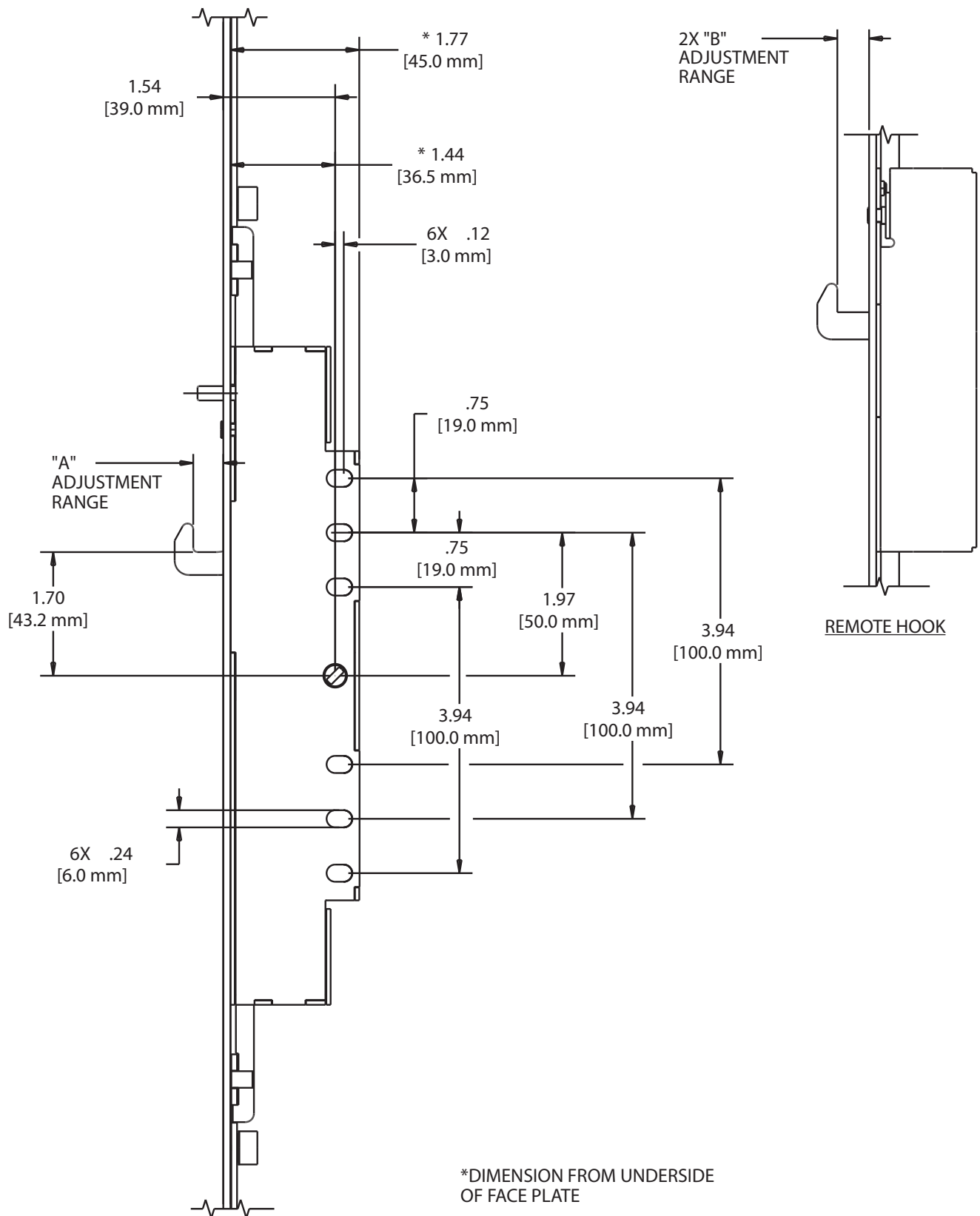
NEXUS THREE-POINT MORTISE LOCK

FIG. 23 THREE POINT MORTISE LOCK, 20mm EURO-GROOVE APPLICATION DEEP BACKSET



**NEXUS
THREE-POINT
MORTISE LOCK**

FIG. 25 THREE POINT MORTISE LOCK, EURO GROOVE DETAIL DEEP BACKSET



NEXUS THREE-POINT MORTISE LOCK

FIG. 26 THREE POINT MORTISE LOCK, 33338 KEEPER

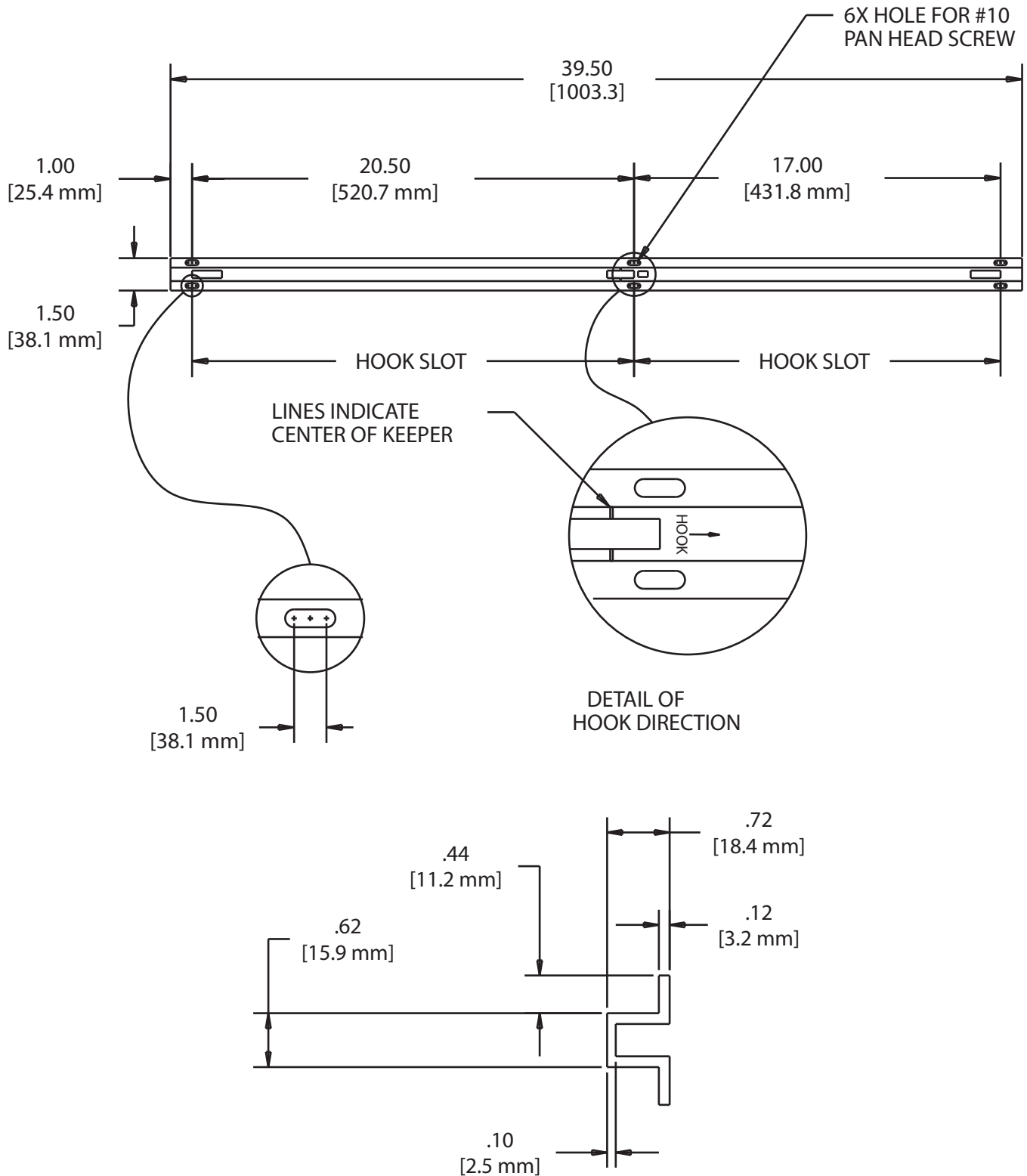
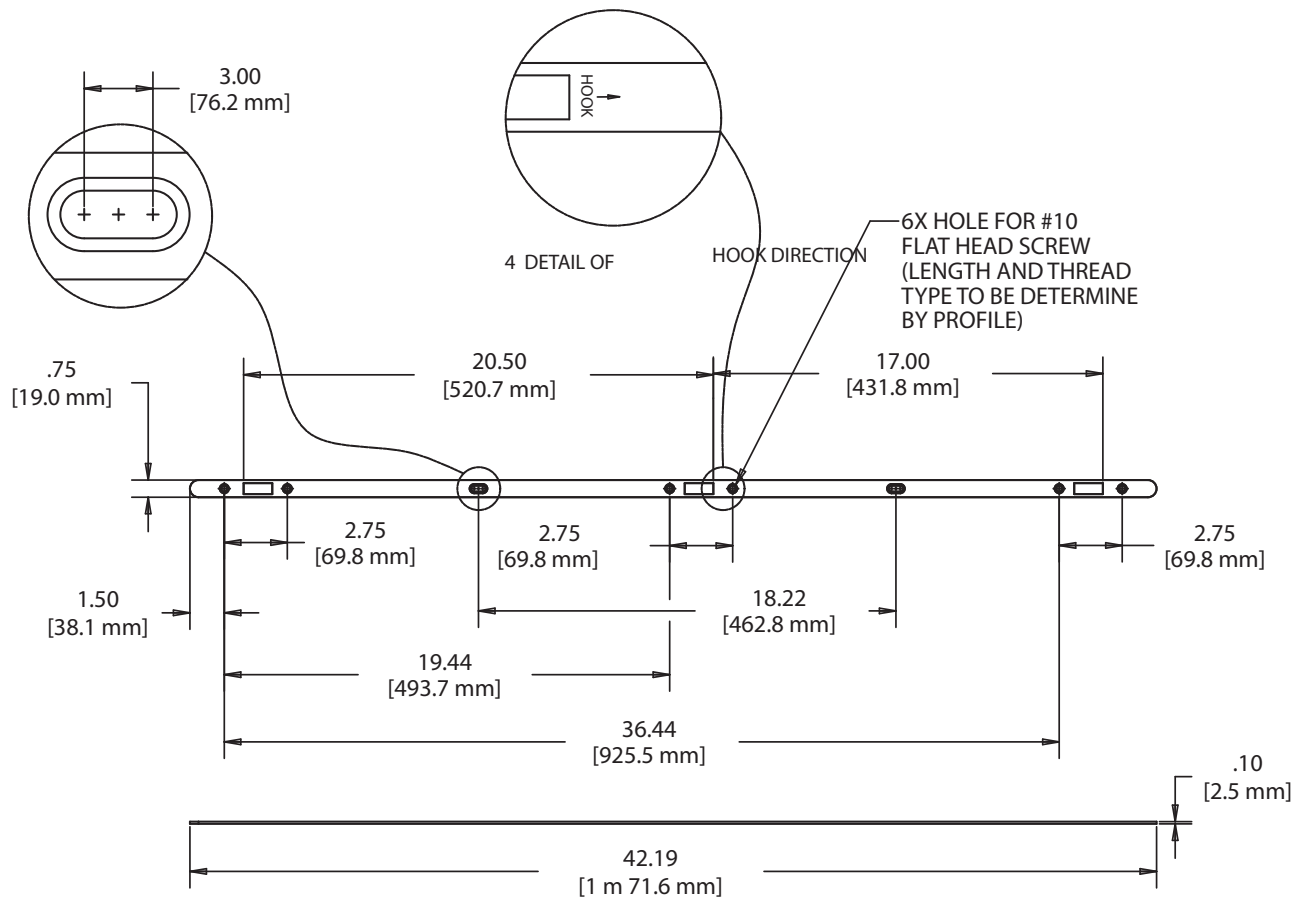
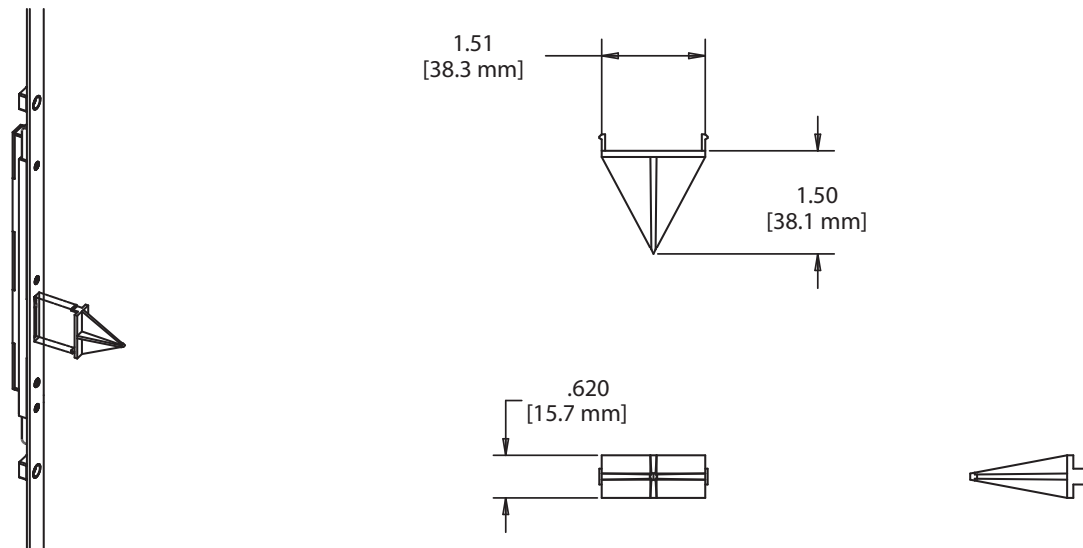


FIG. 27 THREE POINT MORTISE LOCK, 33337 KEEPER



**FIG. 28 THREE POINT MORTISE LOCK
33277 KEEPER LOCATOR**



**NEXUS
THREE-POINT
MORTISE LOCK**

Multi-locking points are becoming the norm for patio doors. Savvy homeowners are now demanding the added security and increased performance that multi-point locking provides. Truth's new two-point mortise lock is ideally suited for any Truth mortise type handle. We've added several versions of this lock, so there is sure to be one that fits your needs. An added feature of Truth's new two-point lock is an "anti-slam" feature which assures that the lock hooks can't be damaged by accidentally closing the door with them extended.

- Two opposing locking hooks extended into a keeper mounted on the frame make it virtually impossible for the door to be lifted out of the track.
- Mortise lock meets AAMA standards for sliding patio doors.
- Lock has an "anti-slam" feature which assures that door is shut before the lock can be actuated. This prevents potential damage to the locking bolts by not allowing the bolts to be extended unless the door is closed against the frame. Anti-slam feature is achieved with a button that must be depressed against the frame for the lock to be actuated.
- Adjustability in the amount of hook extension is achieved by simply adjusting a set screw in the matching keeper.
- Mortise lock is available in three different face plate configurations to fit most wood, vinyl and aluminum patio door designs.

MATERIAL & FINISHES:

Keepers and face plates are made of plated steel with yellow dichromate unless otherwise noted. Pocket adaptor is made from plated zinc with yellow dichromate. The mortise lock features a heat treated steel bolt for maximum strength. A corrosion resistant version featuring a stainless steel case is also available – see tables within drawings for specific item numbers.

WARRANTY:

Protected under the terms of the Truth Warranty for Window and Door Manufacturers and Authorized Distributors. Refer to Truth's Terms & Conditions for further details.

ORDERING INFORMATION:

Because of the variety of sliding patio door designs on the market, Truth Hardware suggests that you contact one of Truth's Technical Managers to help you identify the components that will best meet your requirements. These components can include offset locks and recessed adapters.

To assist us in helping you identify the product that you need, please be prepared to provide Truth with the type and style of profile that you are mounting the hardware to.

#32608 – Standard two-point mortise lock with center drive

#32609 – Standard two-point mortise lock with offset drive

#32610 – Lock with long faceplate center drive

#32611 – Lock with long faceplate offset drive

#32612 – Lock with recessed adapter center drive

#32613 – Lock with recessed adapter offset drive

#32614 – Keeper

Stainless steel options are also available – please refer to drawings for specific item numbers

TRUTH TIPS:

1. A Truth Hardware Secondary Patio Door Lock or Limiter can be added for applications requiring additional security
2. Bumper guards (Truth item number 22082.XX), to keep door sash from contacting the opposite jamb during its travel are highly recommended (see Handle set accessories section).
3. If hardware shown cannot be fitted to the door because of door/hardware interference, contact Truth for other available options



#32608 Shown

4. Installation of longer screws into the keeper rail will increase security. Screws long enough to reach the rough opening frame are recommended.

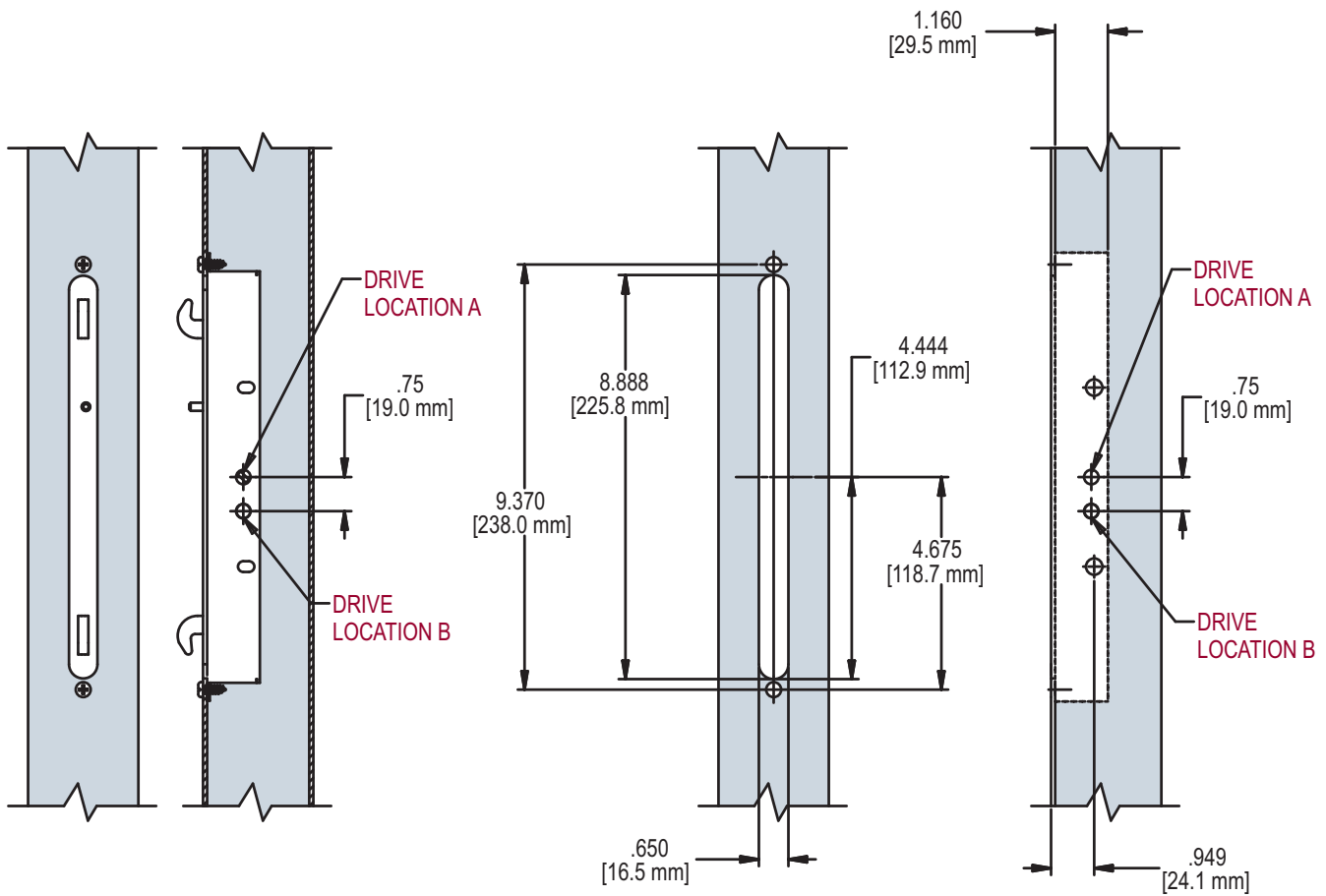
5. For easy correction of out of square or racked door installations, the use of Jamb Jack (frame adjusters) are recommended. Frame adjustment can improve both weather seal tightness and door operation over the life of the door.

6. For vinyl applications, mounting screws should pass through two PVC walls or one PVC wall and one insert wall. For this reason, it may be necessary to use a longer screw than is recommended.

7. A 1/8" Allen Wrench is required for adjustments. Not supplied by Truth Hardware.

TWO-POINT MORTISE LOCK

FIG. 1 TWO POINT MORTISE LOCK SHORT FACEPLATE APPLICATION



CUT-OUT REQUIRED

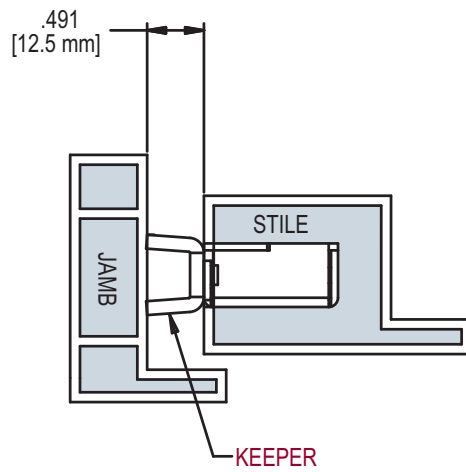
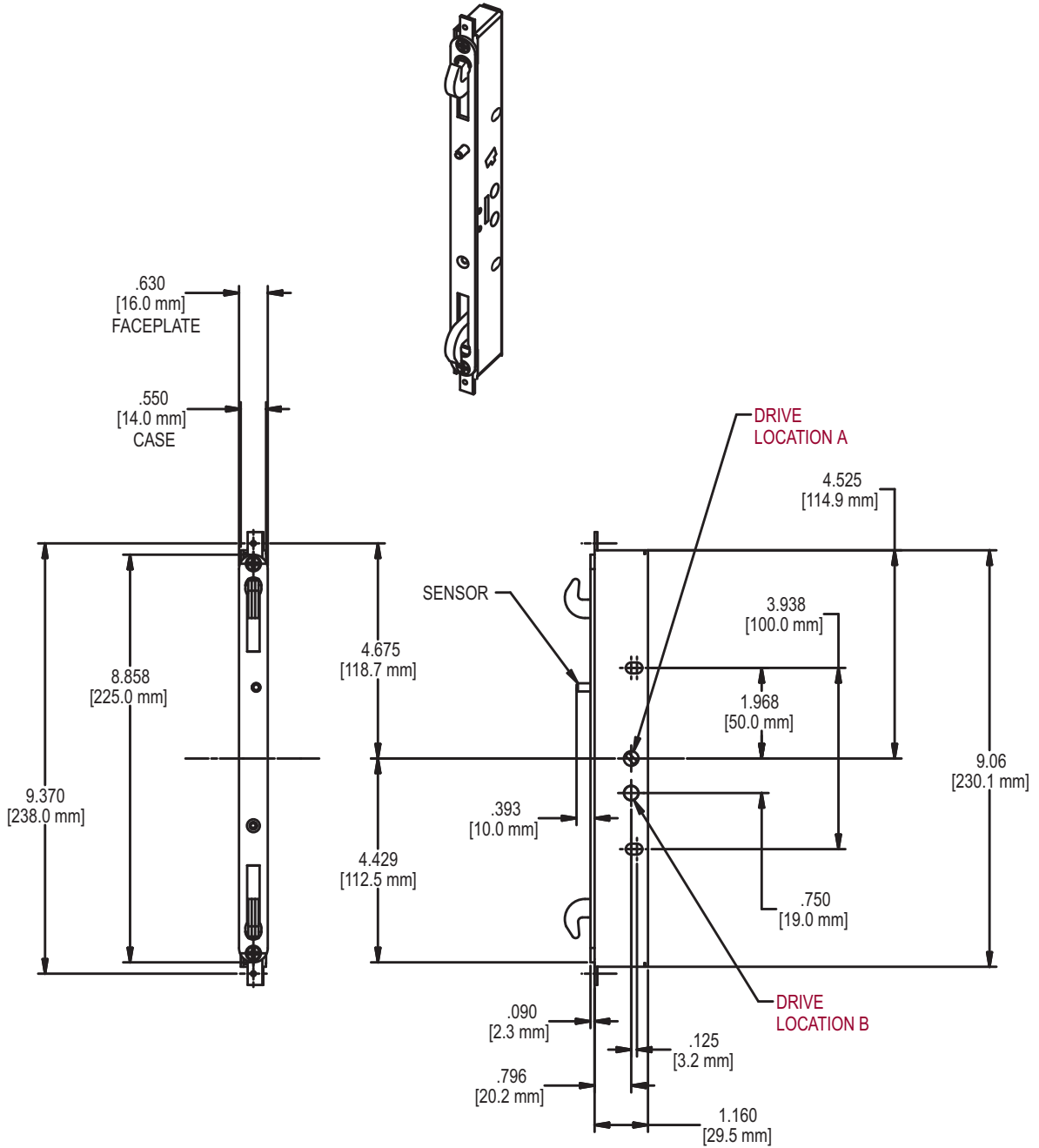


FIG. 2 32608 & 32609 TWO POINT MORTISE LOCK, SHORT FACEPLATE



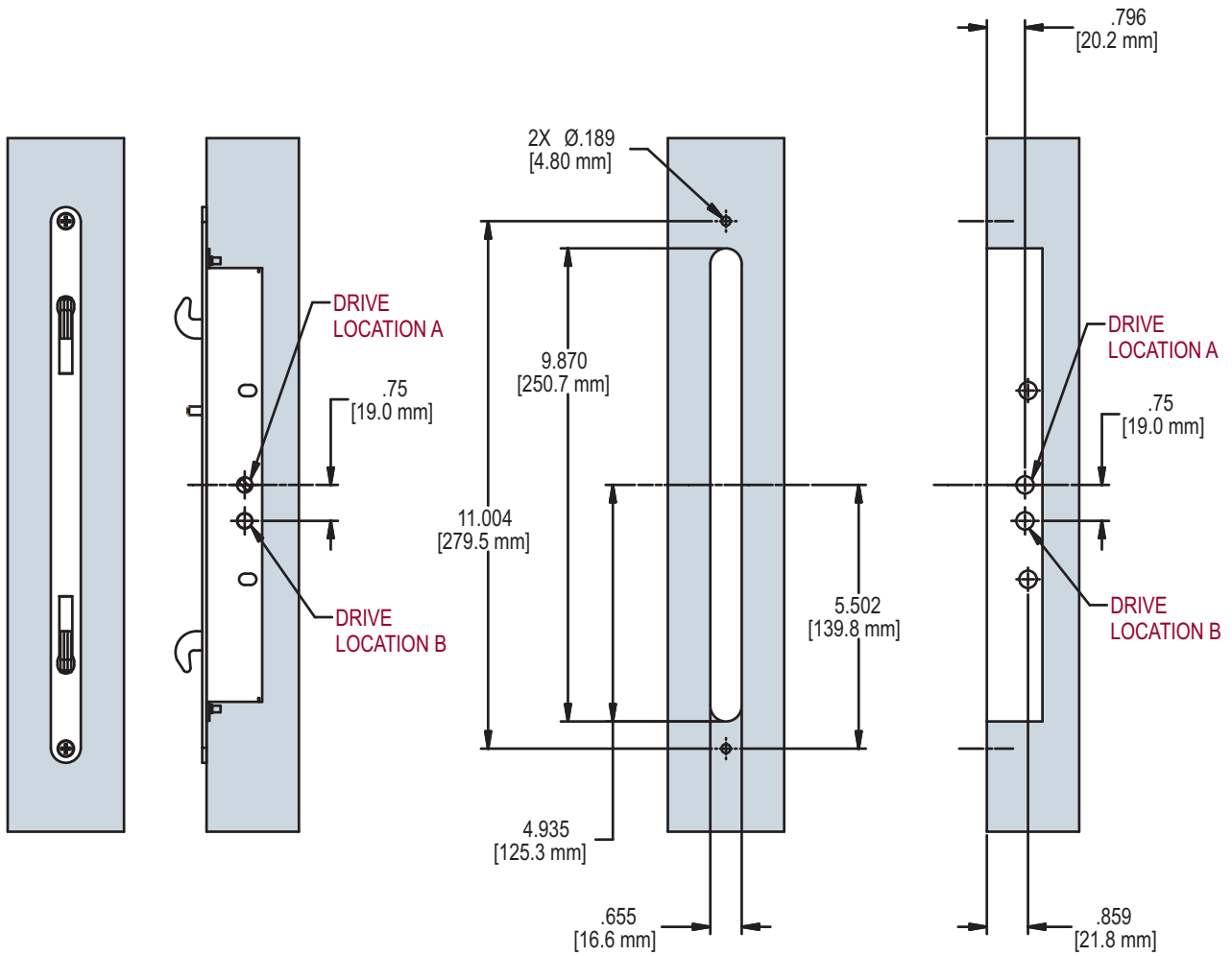
RECOMMENDED SCREWS:

(QTY 2) #6-32 PHILLIPS TRUSS HEAD SCREWS
(LENGTH AND THREAD TYPE TO BE
DETERMINED BY PROFILE)

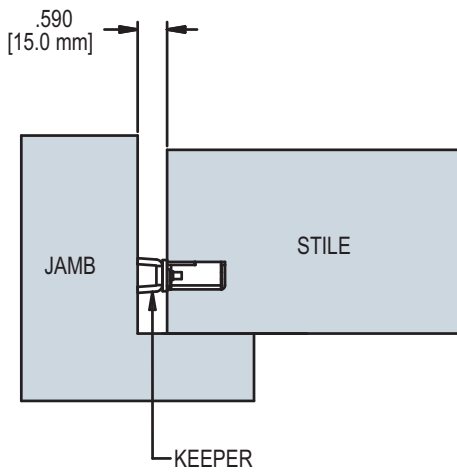
	STEEL P/N	SST P/N
DRIVE A	32608	32608.00.0500
DRIVE B	32609	32609.00.0500

TWO-POINT MORTISE LOCK

FIG. 3 TWO POINT MORTISE LOCK LONG FACEPLATE APPLICATION

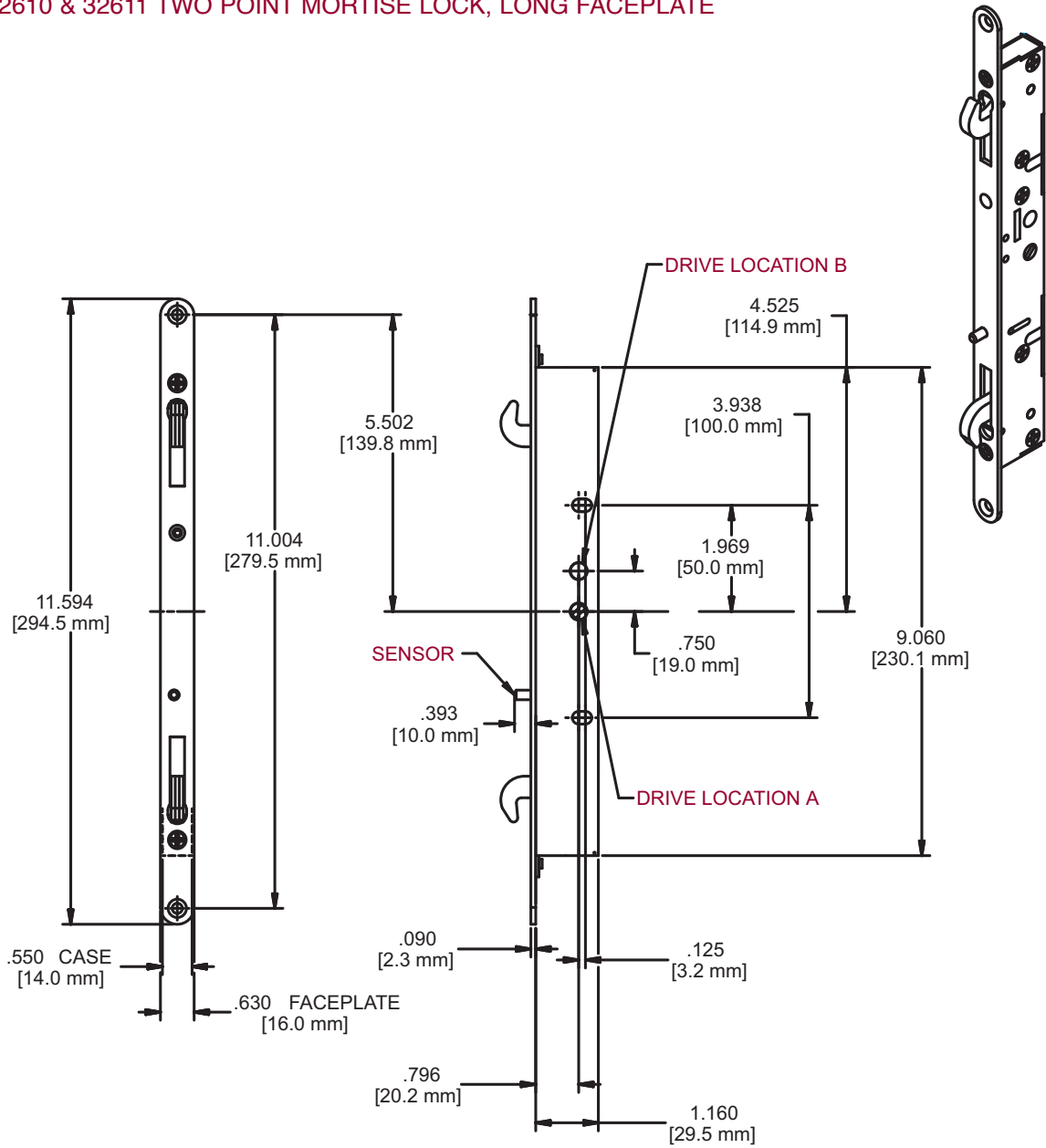


CUT-OUT REQUIRED



TWO-POINT MORTISE LOCK

FIG. 4 32610 & 32611 TWO POINT MORTISE LOCK, LONG FACEPLATE



RECOMMENDED SCREWS:

(QTY 2) #8 PHILLIPS FLAT HEAD SCREWS (THREAD TYPE AND LENGTH TO BE DETERMINED BY PROFILE)

	STEEL P/N	SST P/N
DRIVE A	32610	32610.00.0500
DRIVE B	32611	32611.00.0500

TWO-POINT MORTISE LOCK

FIG. 5 TWO POINT MORTISE LOCK RECESSED FACEPLATE APPLICATION

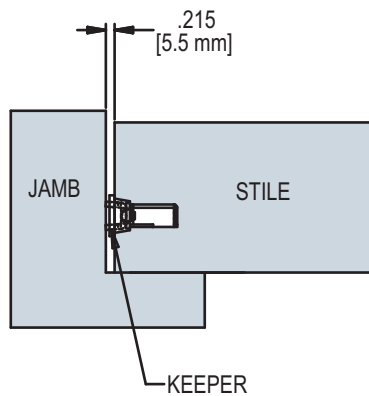
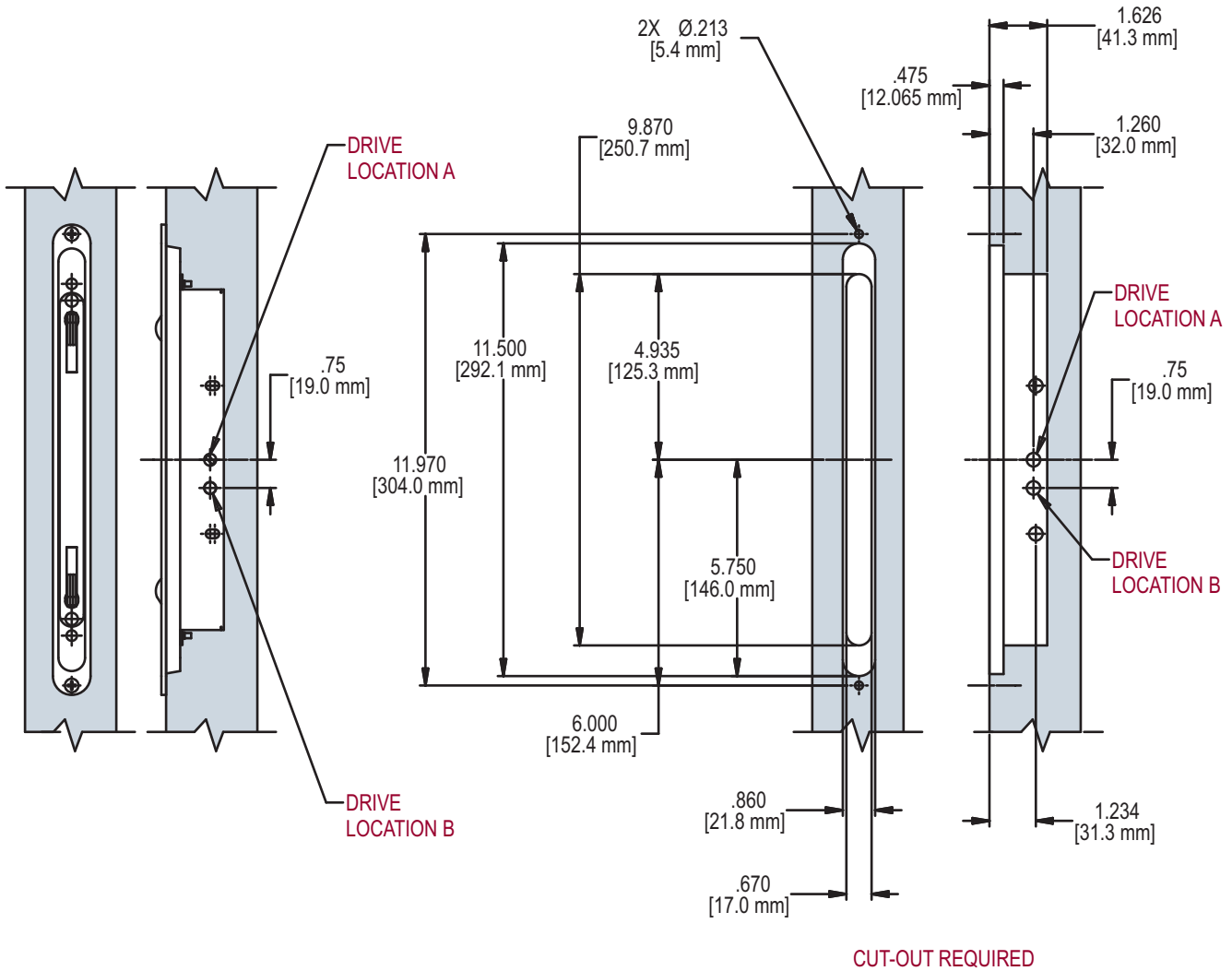
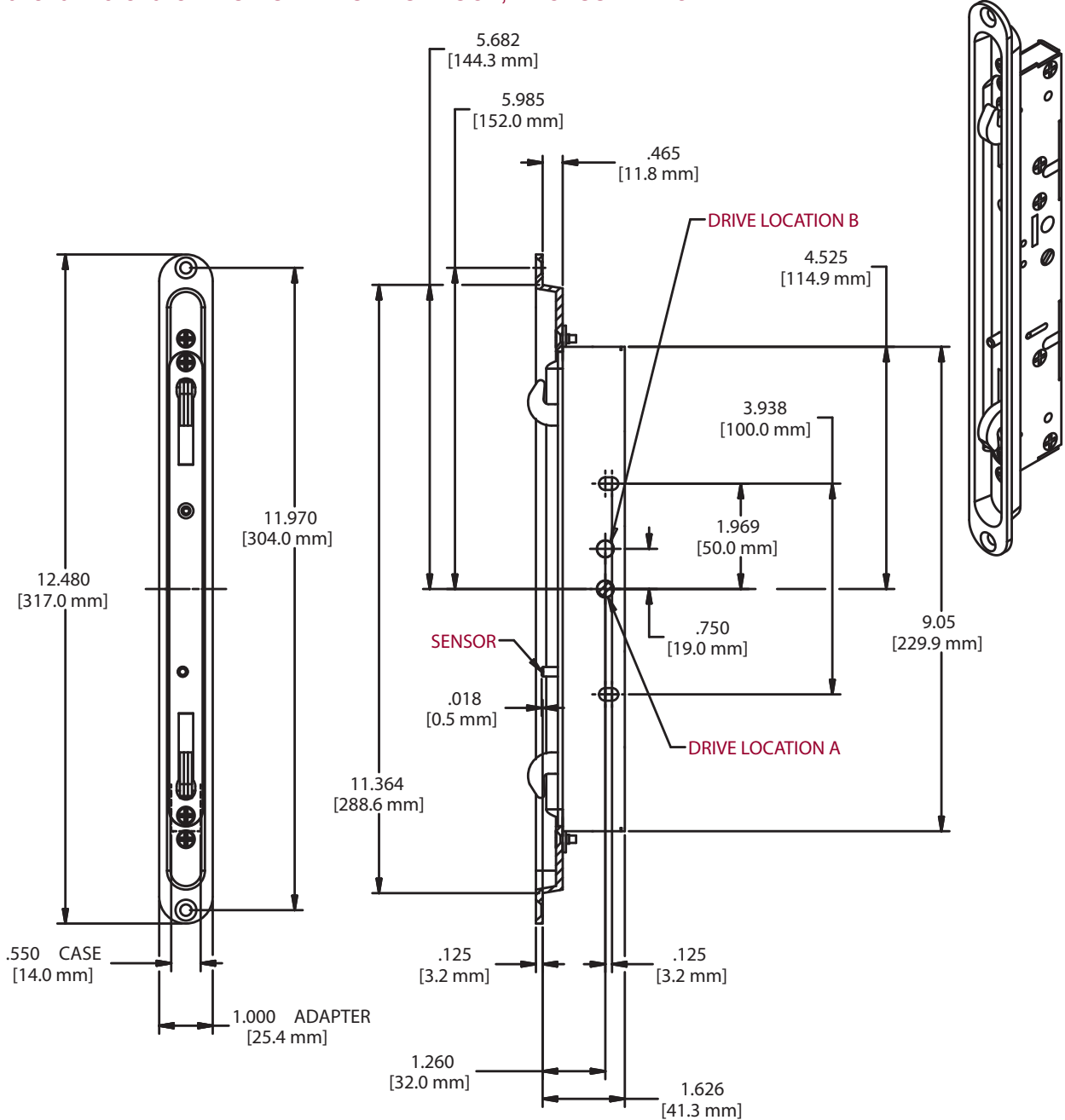


FIG. 6 32612 & 32613 TWO POINT MORTISE LOCK, RECESSED FACEPLATE



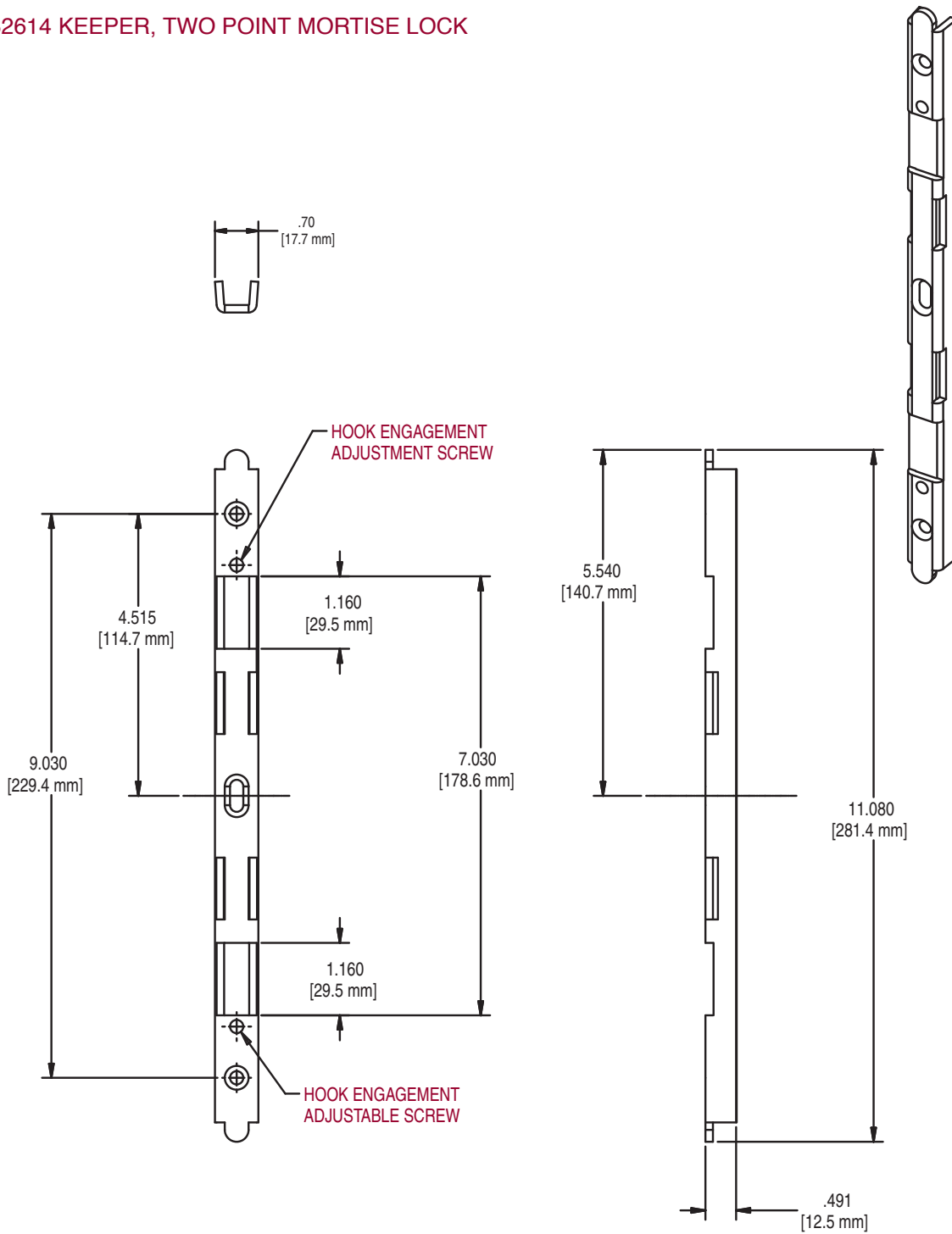
RECOMMENDED SCREWS:

(QTY 2) #10 PHILLIPS FLAT HEAD SCREWS (THREAD TYPE AND LENGTH TO BE DETERMINED BY PROFILE)

	STEEL P/N	SST P/N
DRIVE A	32612	32612.00.0500
DRIVE B	32613	32613.00.0500

TWO-POINT MORTISE LOCK

FIG. 7 32614 KEEPER, TWO POINT MORTISE LOCK



RECOMMENDED SCREWS:

(QTY 3)#10 PHILLIPS, FLAT HEAD SCREWS
(THREAD TYPE AND LENGTH TO BE
DETERMINED BY PROFILE)

STEEL	32614
STAINLESS STEEL	32614.00.0500

Spring loaded and foot-operated, this sturdy device easily engages to provide a more secure door and easily releases to provide a ready means of escape. In fact, this patio door limiter has been tested to withstand a forced entry attempt of 400 lbs. of force.

WARRANTY:

Protected under the terms of the Truth Warranty for Window and Door Manufacturers and Authorized Distributors. Refer to Truth's Terms and Conditions for further details.

MATERIAL: Acetal body, release lever and button. Cold-rolled steel bolt.

FINISH: Molded in a variety of colors including 03 Bronze and 32 White. Steel bolt is zinc plated with a clear chromate finish.

MOUNTING: Mounts to bottom rail of sliding door and engages in sill, or into the face of the stationary door. See mounting positions "A" and "B".

ORDERING INFORMATION & OPTIONS:

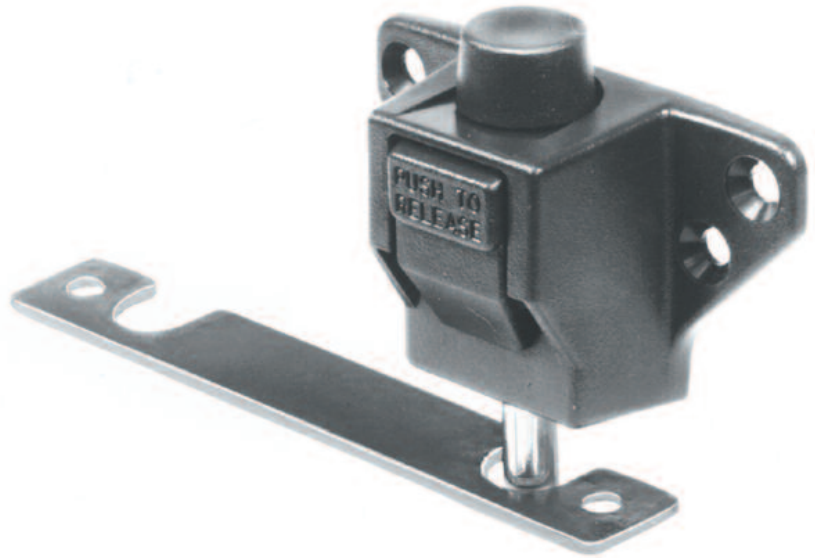
1. Choose Patio Door Limiter style desired (specify by part number).
#41.10 Patio Door Limiter or
#41.12 Patio Door Limiter (1/2" longer bolt) or
#41.13 Wingless Patio Door Limiter
#41.14 Wingless Patio Door Limiter (1/2" longer bolt).
2. Specify finish number.
3. Select keeper style which best matches your application. See drawings for further information (sold separately).

RECOMMENDED SCREWS:

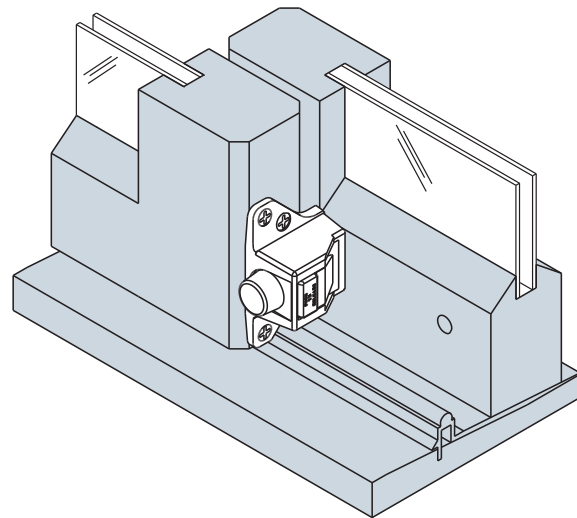
Type of screws required determined by material of profile used. Refer to drawings for complete information on screw type and quantity needed (sold separately). For additional information regarding screw selection see Tech Notes.

INCLUDE TRUTH SPECS IN YOUR NEXT WINDOW PROJECT:

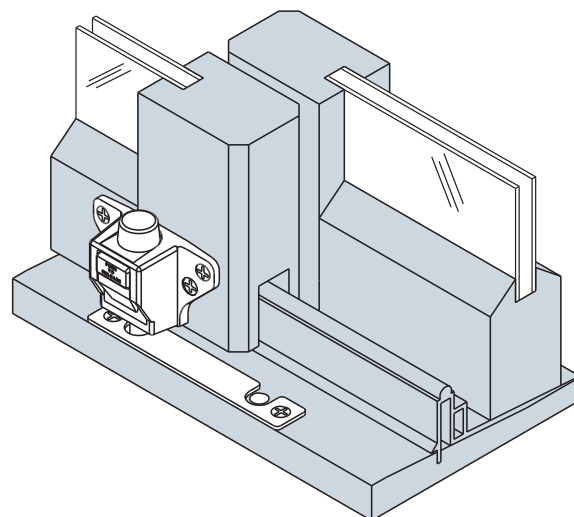
A night latch or limiting device must be provided which is foot operated and provides forced entry resistance of up to 400 lbs. Security device shall be 41 series Secondary Patio Door Limiter as manufactured by Truth Hardware, Owatonna, Minnesota.



MOUNTING POSITION A

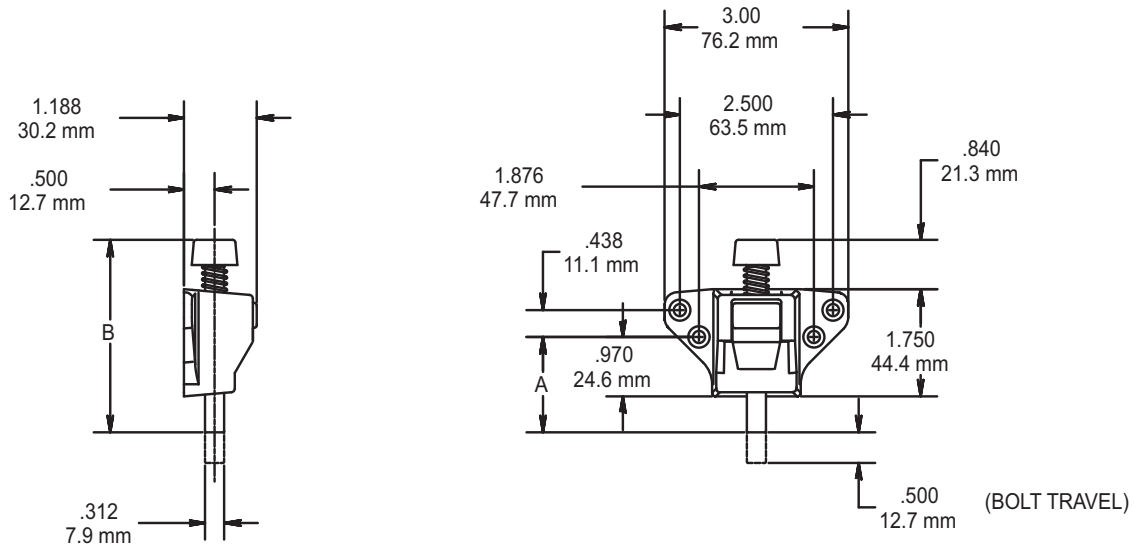


MOUNTING POSITION B



41 SECONDARY PATIO DOOR LIMITER

FIG. 1 SECONDARY PATIO DOOR LIMITER 41.10 AND 41.12



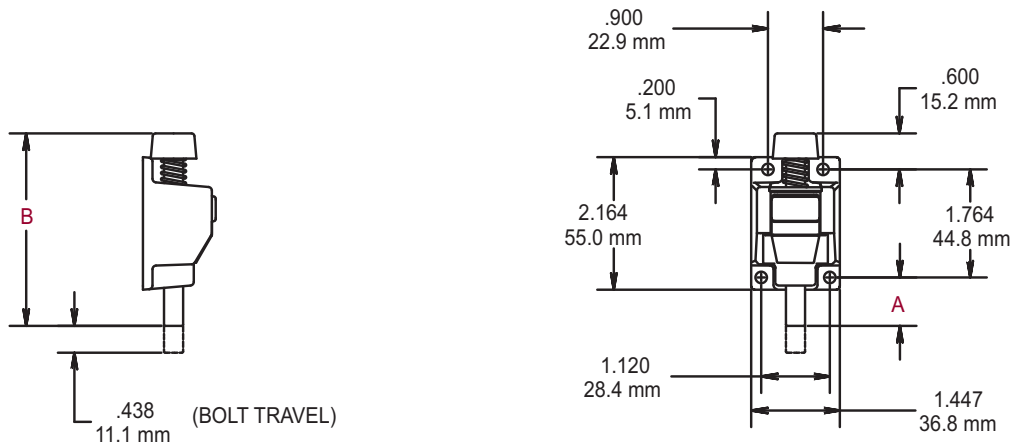
PART NO.	A	B
41.10	1.016 / 25.8mm	2.645 / 67.2mm
41.12	1.562 / 19.9mm	3.152 / 80.1mm

AVAILABLE KEEPERS
20824
30680
30672

RECOMMENDED SCREWS:

WOOD: 4 (P/N 19240) #8 X 1.0 PHILLIPS, FLAT HEAD, SHEET METAL SCREWS
 PVC/METAL: 4-#8 PHILLIPS, FLAT HEAD SCREWS (LENGTHS AND THREAD TYPE TO BE DETERMINED BY PROFILE)

FIG. 2 SECONDARY PATIO DOOR LIMITER 41.13 AND 41.14



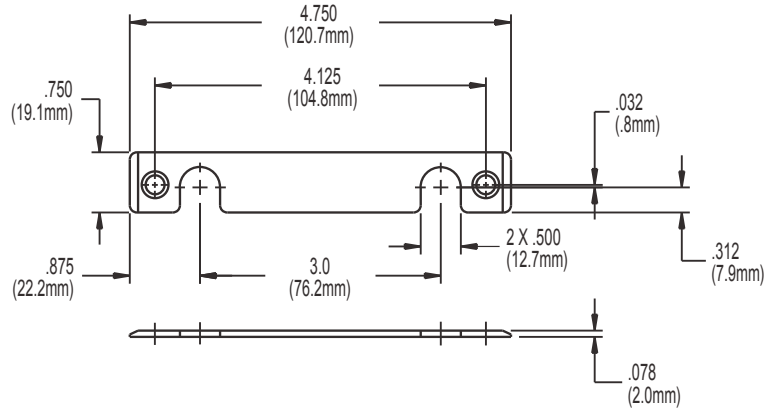
PART NO.	A	B
41.13	.284 / 7.2mm	2.650 / 67.3mm
41.14	.790 / 20.0mm	3.150 / 80.0mm

AVAILABLE KEEPERS
20824
30680
30672

RECOMMENDED SCREWS:

WOOD: 4 (P/N 19240) #8 X 1.0 PHILLIPS, FLAT HEAD, SHEET METAL SCREWS
 PVC/METAL: 4-#8 PHILLIPS, FLAT HEAD SCREWS (LENGTHS AND THREAD TYPE TO BE DETERMINED BY PROFILE)

FIG. 3 KEEPER 20824

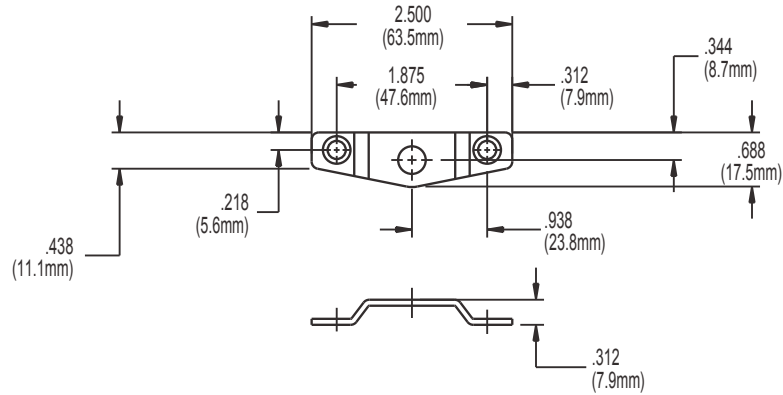


RECOMMENDED SCREWS:

WOOD: 2 (P/N 19240) #8 X 1.0 PHILLIPS, FLAT HEAD, SHEET METAL SCREWS

PVC/METAL: 2 #8 PHILLIPS, FLAT HEAD SCREWS (LENGTH AND THREAD TYPE TO BE DETERMINED BY PROFILE)

FIG. 4 KEEPER 30672

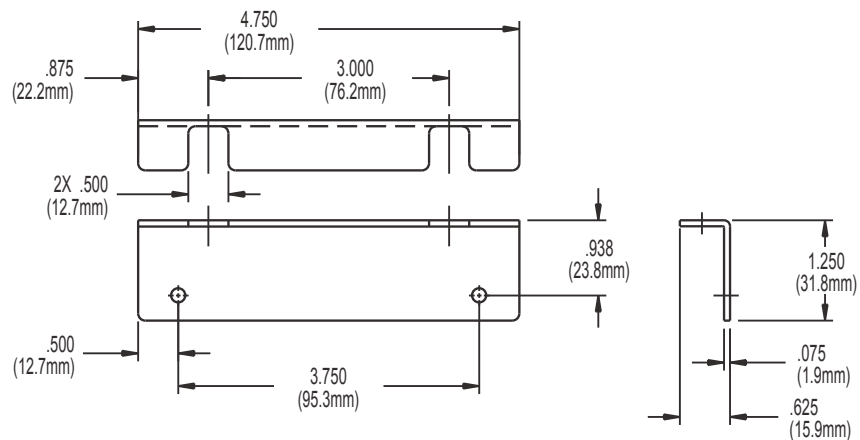


RECOMMENDED SCREWS:

WOOD: 2 (P/N 19380) #8 X 1.0 PHILLIPS, FLAT HEAD, SHEET METAL SCREWS

PVC/METAL: 2 #8 PHILLIPS, FLAT HEAD SCREWS (LENGTH AND THREAD TYPE TO BE DETERMINED BY PROFILE)

FIG. 5 KEEPER 30680

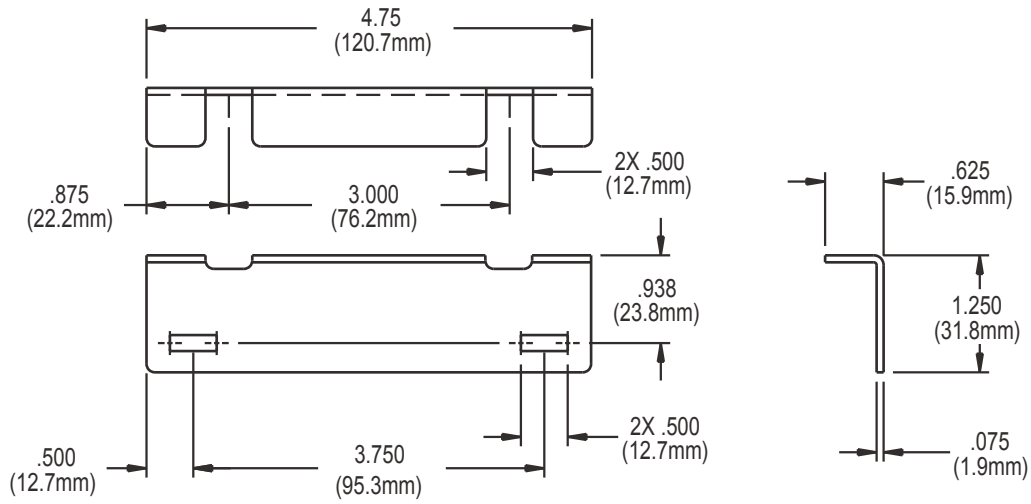


RECOMMENDED SCREWS:

WOOD: 2 (P/N 19230) #8 X 1.0 PHILLIPS, PAN HEAD, SHEET METAL SCREWS

PVC/METAL: 2 #8 PHILLIPS, PAN HEAD SCREWS (LENGTH AND THREAD TYPE TO BE DETERMINED BY PROFILE)

FIG. 6 KEEPER 31725

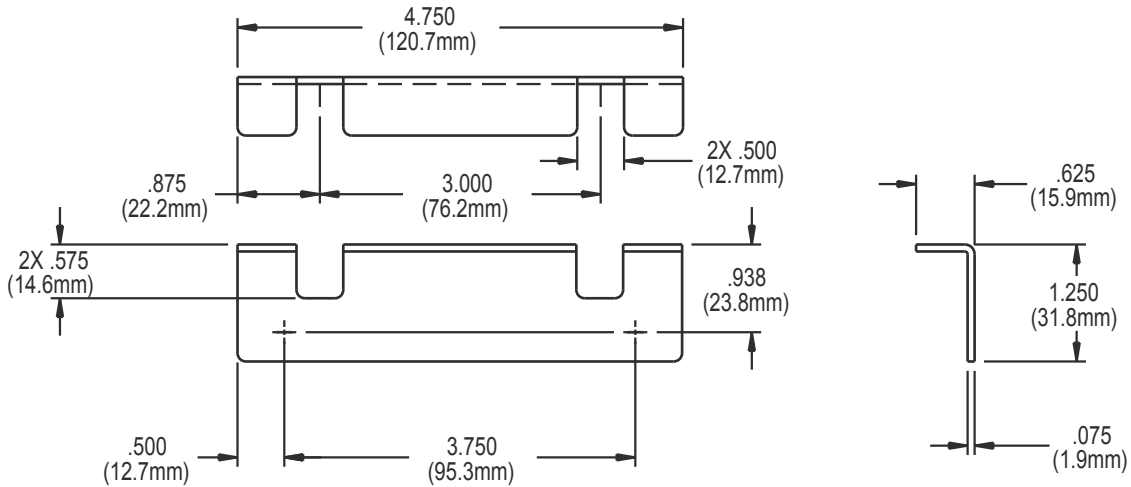


RECOMMENDED SCREWS:

WOOD: 2 (P/N 19230) #8 X 1.0 PHILLIPS, PAN HEAD, SHEET METAL SCREWS

PVC/METAL: 2 #8 PHILLIPS, PAN HEAD SCREWS (LENGTH AND THREAD TYPE TO BE DETERMINED BY PROFILE)

FIG. 7 KEEPER 31756



RECOMMENDED SCREWS:

WOOD: 2 (P/N 19230) #8 X 1.0 PHILLIPS, PAN HEAD, SHEET METAL SCREWS

PVC/METAL: 2 #8 PHILLIPS, PAN HEAD SCREWS (LENGTH AND THREAD TYPE TO BE DETERMINED BY PROFILE)

Now you can install and adjust doors & windows quicker and easier than ever before. Truth's Jamb Jacks are a specially designed fastening system for mounting door & window frames into rough openings. Jamb Jacks replace the shims used to square the window or door in the rough opening.

FASTER INSTALLATION:

Using the unique adjustable "screws" (Jamb Jacks) a single unit can be installed without shims in just minutes.

SIMPLE ADJUSTMENT:

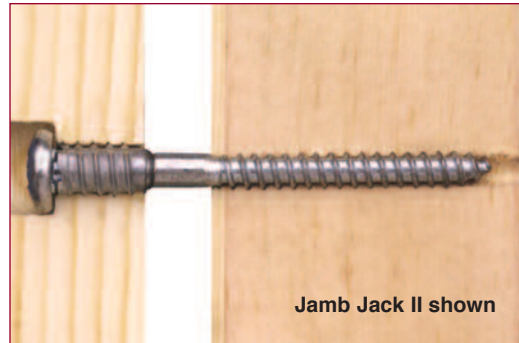
Jamb Jacks provide quick and precise window and door adjustment at the time of installation and when future problems develop caused by foundation settlement. No more need to tear apart a door or window to re-shim it. By simply turning the Jamb Jack screws all necessary adjustments can easily be made while the unit is in place.

VERSATILE:

Jamb Jacks are available for most wood door and window systems, including residential, light commercial or replacement applications, with wood or masonry openings.

MATERIAL:

Steel screws. Acetal insert and finishing cap.



Jamb Jack II shown

ORDERING INFORMATION:

Jamb Jack II (windows)

1. Order **#21170** - Jamb Jack II. See Truth Tip #2.

Optional

#21146.73 Finishing Cap. (See Truth Tip #3).

Jamb Jack III (windows and doors)

1. Order Insert & Screw separately.

Door Application (See Truth Tip #2):

#21150 Door Insert

#21171 Door Screw

Window Application

#21151 Window Insert

#21175 Window Screw

2. Order **#21146.73** White Finishing Cap. (See Truth Tip #3).

3. Order **#21183** Turbo Driver Installation Bit (power installation of insert).

4. Also available pre-packaged as installer packs for doors or windows - includes: inserts, screws, finishing cap and turbo driver.

#11076 Installer Pack (door)

TRUTH TIPS:

1. When installing the Jamb Jack III screw into the frame, make sure that the screw snaps twice into the insert.
2. Truth recommends that six Jamb Jack's be used in every door application (three per jamb) and four be used in window applications (two per jamb). NOTE: Additional Jamb Jacks may be required for window applications depending upon the size of the unit.
3. White Finishing Cap may be painted to match non-standard colors.
4. T25 Torx Driver is required for installing and adjusting Jamb Jack III Screws. Not available from Truth Hardware.
5. Solid shims are recommended behind the strike plate locations on door jamb installations.
6. Due to the design of both Jamb Jack II and Jamb Jack III, neither system can be removed once they are installed. Care must be used when selecting installation points for any Jamb Jack unit.

FIG. 1 INSTALLATION OF JAMB JACK II

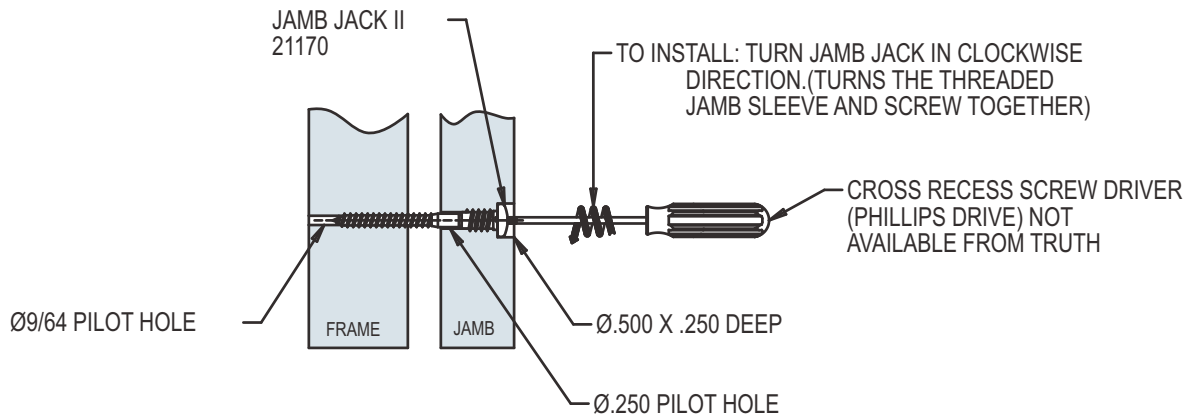


FIG. 2 ADJUSTMENT OF JAMB JACK II

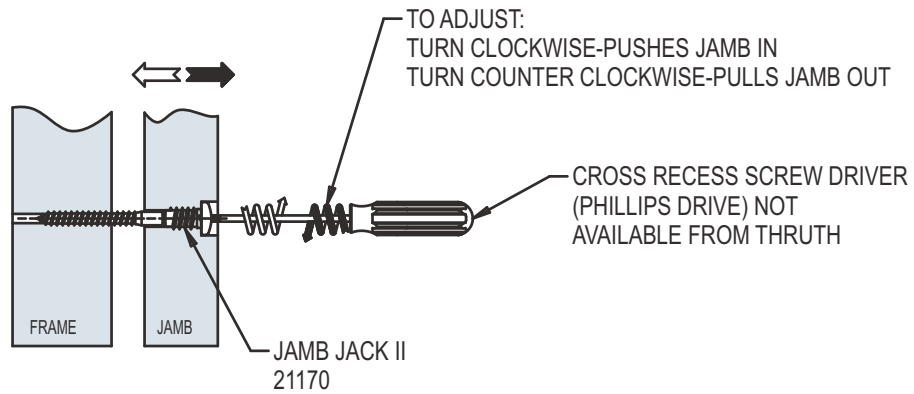


FIG. 3 INSTALLATION OF JAMB JACK III WINDOW INSERT

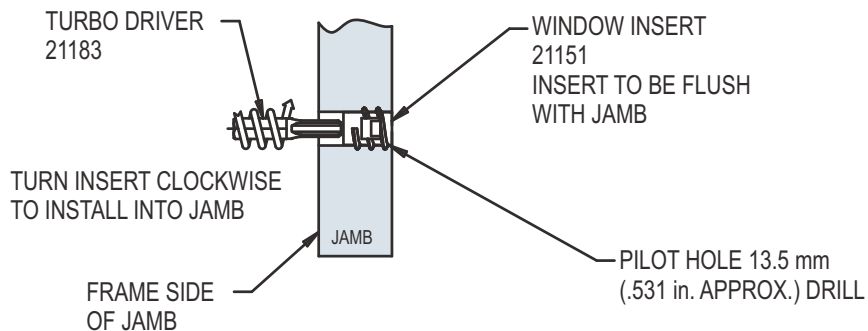


FIG. 4 ADJUSTMENT OF JAMB JACK III FOR WINDOWS

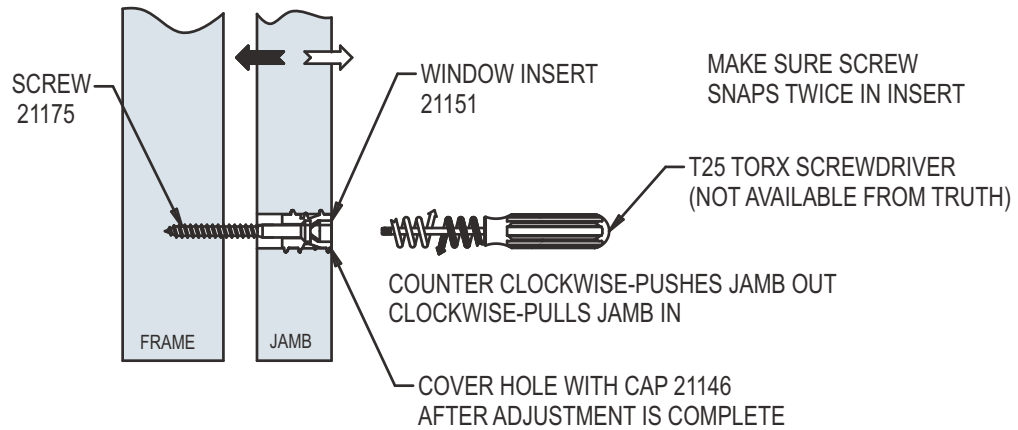


FIG. 5 INSTALLATION OF JAMB JACK III DOOR INSERT

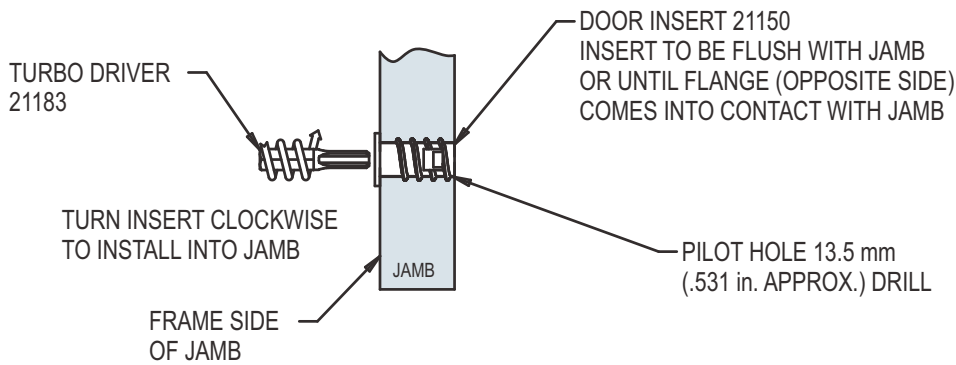


FIG. 6 ADJUSTMENT OF JAMB JACK III FOR DOORS

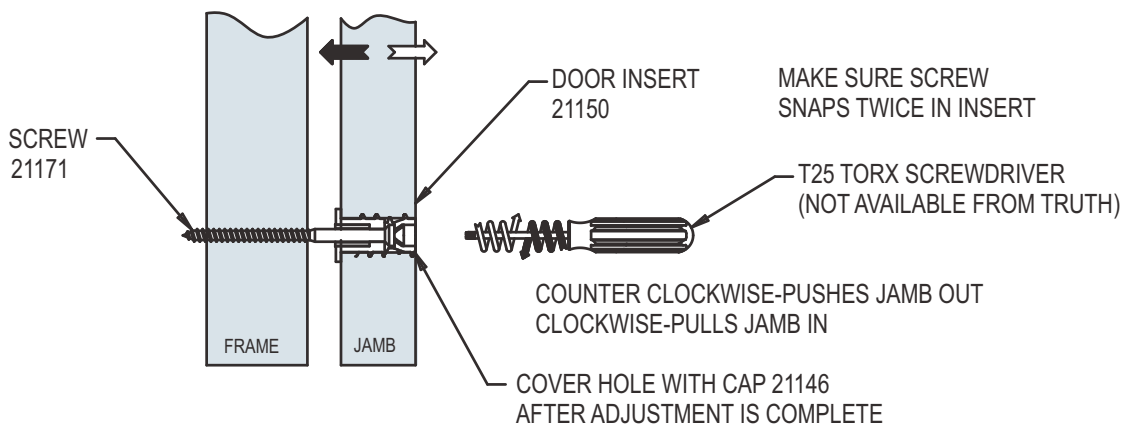


FIG. 7 JAMB JACK II 21170
(For Windows)

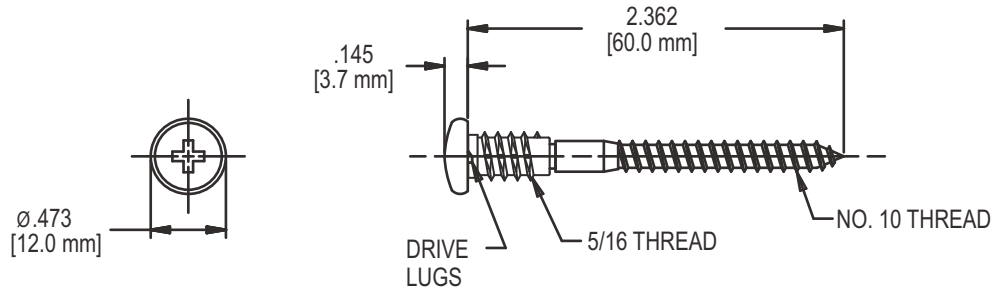


FIG. 8 JAMB JACK III 21175
(For Windows)

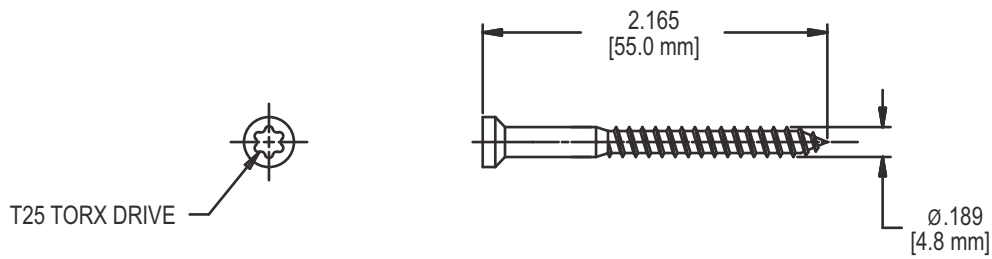


FIG. 9 JAMB JACK III SCREW 21171
(For Doors)

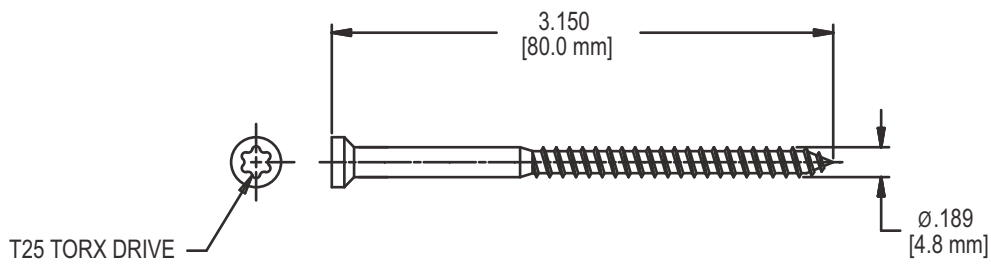


FIG. 10 JAMB JACK III INSERT 21150
(For Doors)

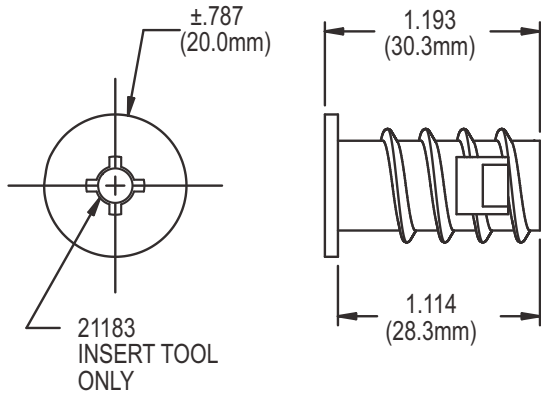


FIG. 11 JAMB JACK III INSERT 21151
(For Windows)

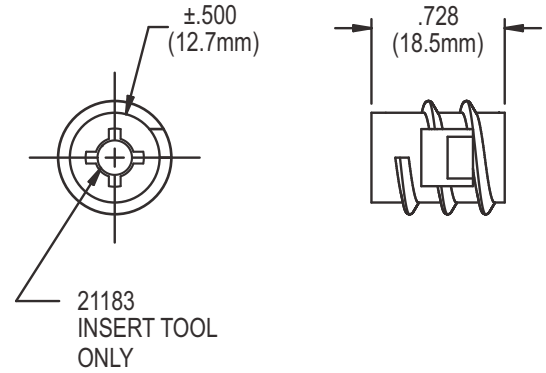
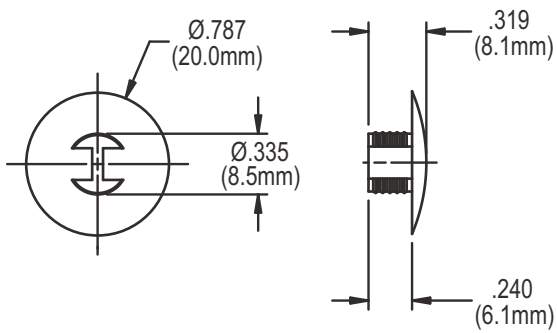
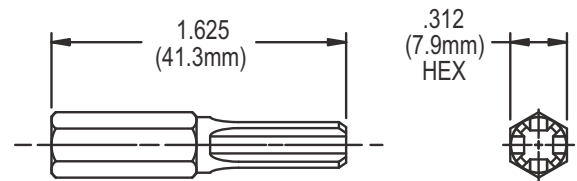


FIG. 12 COVER CAP 21146



FOR USE WITH JAMB JACK III WINDOW OR DOOR
INSERTS (SNAPS INTO INSERT)

FIG. 13 TURBO DRIVER 21183



FOR INSTALLATION OF JAMB JACK III
INSERTS #21150 OR #21151



Truth Hardware presents the new Sentry™ Multi-Point Hinged Patio Door System – a North American designed system that combines the flexibility and security that you want with the quality and performance you expect. Truth's Sentry System now gives you the ability to purchase your multi-point swinging door hardware from the same reliable manufacturer you have come to trust for your window and sliding door hardware. Check out these customer-focused features and benefits:

FLEXIBLE

- The Sentry Hinged Door Locking System can be customized into 3 or 5 point tongue, hook or shoot bolt version.
- Featuring a modular design, this system modifies easily to fit custom door sizes.

INTUITIVE

- Independent dead bolt feature allows you to secure the door without engaging the remote lock points.

MARKET FOCUSED

- Featuring a 90 degree thumbturn above the handle, this system is designed specifically for the North American market.
- Truth's Sentry Locking System is available with 16 or 20 mm faceplates to fit standard eurogrooves.
- Industry standard 92 mm spacing between the handle and the thumbturn.

SECURE

- The Locking System offers superior strength with a 1" throw on the dead bolt and shoot bolts.
- Laminated SST dead bolt with anti-saw pin and anti-back drive feature prevents tampering for added security.
- Remote lock-point locations optimized closer to top and bottom

of the door for improved locking performance.

- When dead bolt is activated, center latch cannot be depressed thus producing an added measure of security.
- Passive hardware is available in either a handle activated eurogroove version or a manual dual direction single lever flush bolt.

RELIABLE

- Durable handle return spring prevents handle sash sag over time, while corrosion resistant 300 series SST ensures the good looks and performance of the product for years to come.

SMOOTH

- Dual direction operation of the center cassette balances the system providing smoother, easier performance compared to single direction systems.
- Wear strip on center latch prevents marring of strike plates helping to ensure a quality appearance over time.

INSTALLATION FRIENDLY

- The center latch can be reversed with the hardware already installed in the door.
- Non-handed anti-slam device automatically moves to the correct position when the door is closed preventing damage to the door and hardware.
- Modular system with quick pin-hole connections for easy installation.
- Tongue option fits standard 16 mm and 20 mm eurogrooves without additional remote lock processing.

MATERIAL

300 series stainless steel.

WARRANTY

Protected under the terms of the Truth Warranty for Window and Door



Manufacturers and Authorized Distributors. Refer to Truth's Terms and Conditions for further details.

ORDERING INFORMATION

To assist you in selecting the correct components to fit your door, Truth Hardware has developed easy to use matrices for each of the available lock versions. Please refer to the tables beginning with Fig. 1 for this important information. Should you require any additional application support – please contact Truth's Application Specialists directly.

SENTRY™ MULTI-POINT HINGED PATIO DOOR SYSTEM

TRUTH TIPS

1. For easy correction of out of square or racked door installations, the use of Truth Jamb Jack frame adjusters are recommended. Frame adjustment can improve weatherseal tightness and door operation over the life of the door.
2. Solid shims are recommended behind jamb at all strike plate locations.
3. See Tech Notes for information dealing with the care of plated decorative finishes.

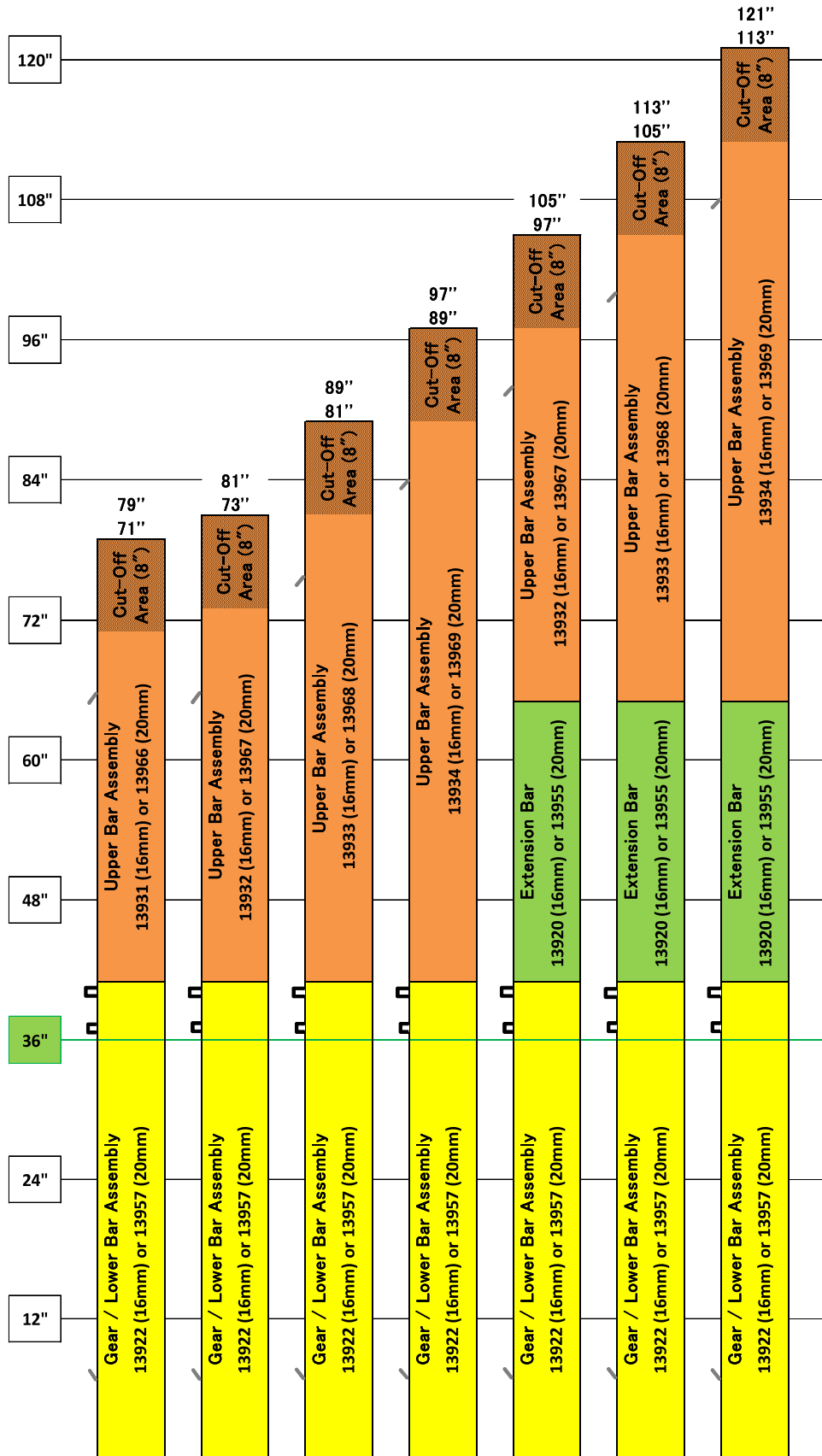
MULTI-POINT HARDWARE SPECIFICATIONS

Multi-Point Door Locking System for exterior or entrance doors, which provides high security and easy operation.

Multi-Point hardware shall be made of 300 series SST and fit into standard 16 or 20 mm eurogroove and feature 90 degree thumbturn located above the handle. 1" throw on all dead bolt and shoot bolts required and have reversible center latch and non-handed anti-slam device built into the hardware system.

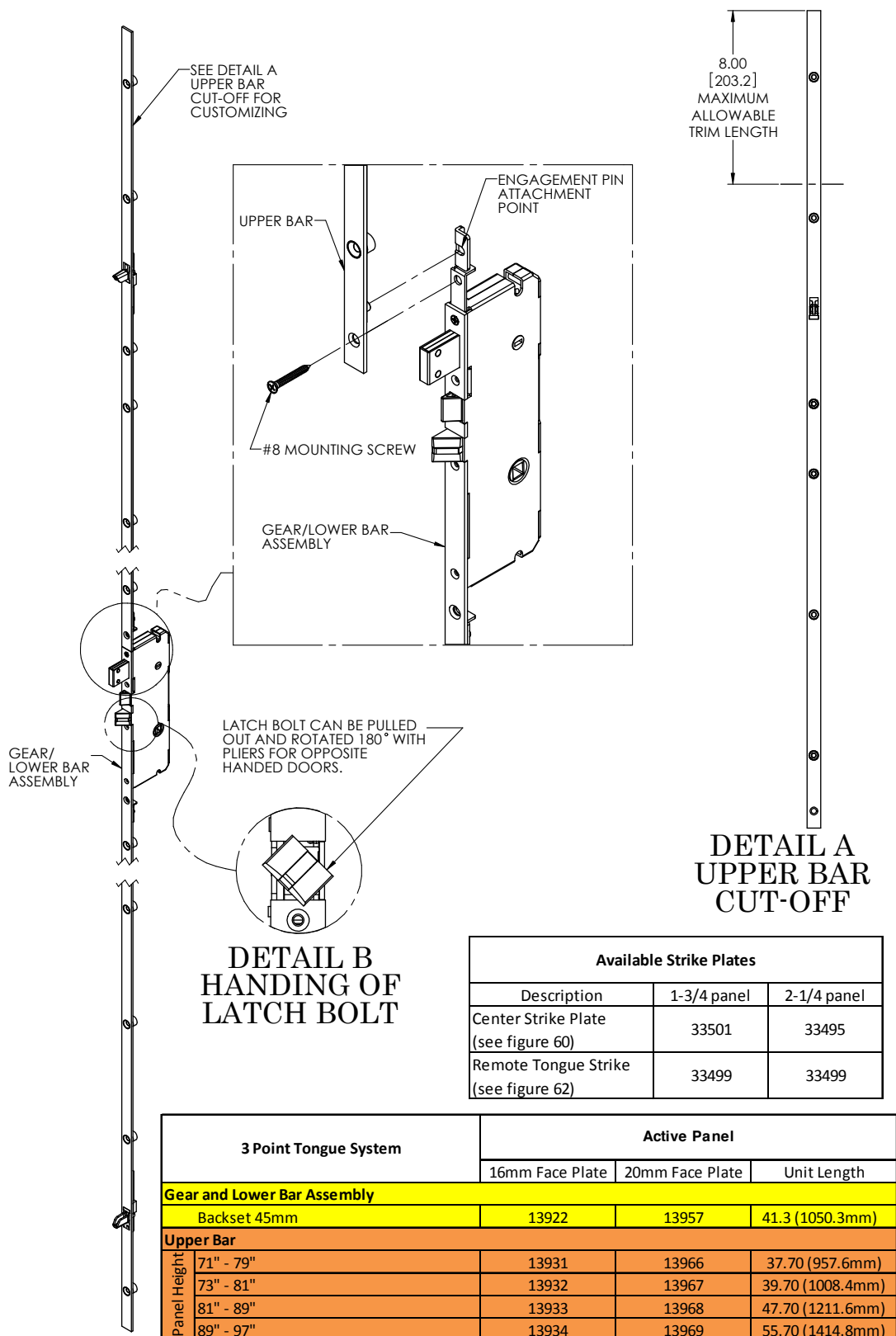
Door hardware shall be Sentry™ Multi-Point Hinged Patio Door Hardware System manufactured by Truth Hardware.

**FIG. 1 SENTRY HINGED PATIO DOOR LOCKS
3 POINT TONGUE CONFIGURATION MATRIX**



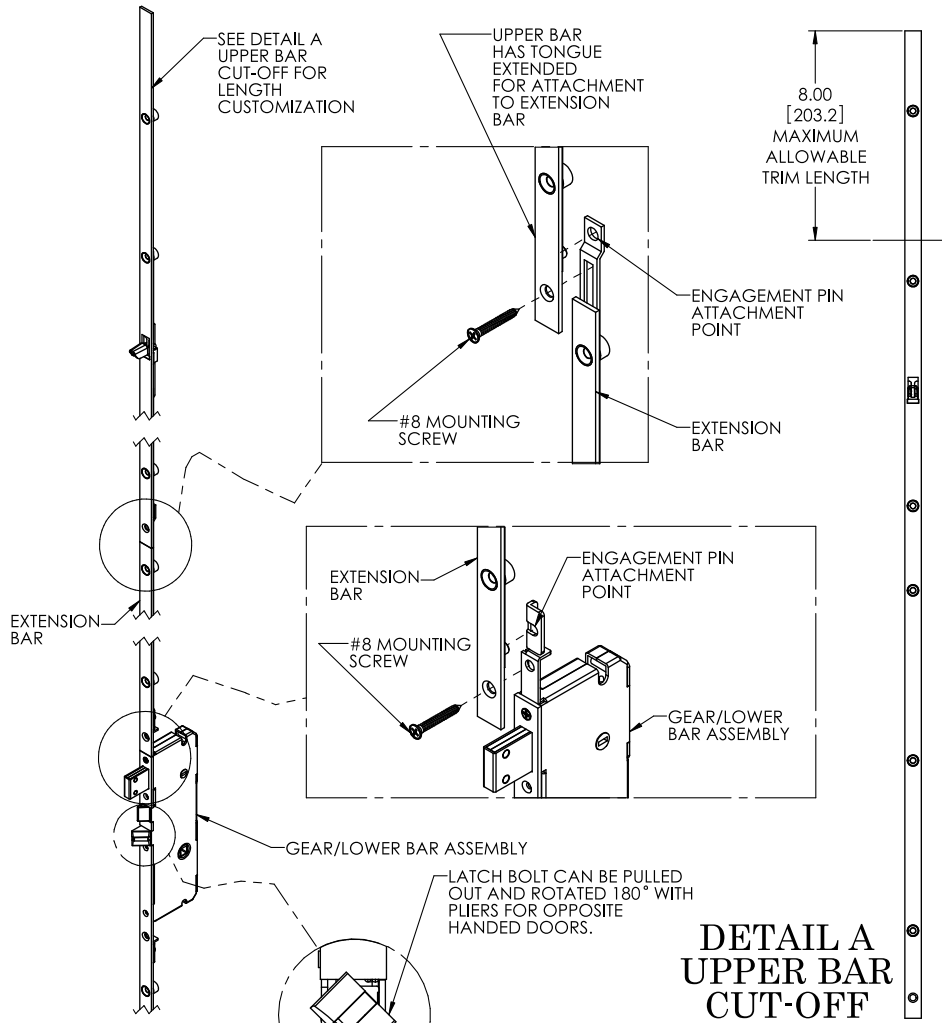
SENTRY™ MULTI-POINT HINGED PATIO DOOR SYSTEM

FIG. 2 SENTRY HINGED PATIO DOOR LOCKS
3 POINT TONGUE ASSEMBLY FOR PANELS 71" TO 97"



*See Fig 3 for panel heights greater than 97"

**FIG. 3 SENTRY HINGED PATIO DOOR LOCKS
3 POINT TONGUE ASSEMBLY FOR PANELS 97" TO 121"**



**DETAIL A
UPPER BAR
CUT-OFF**

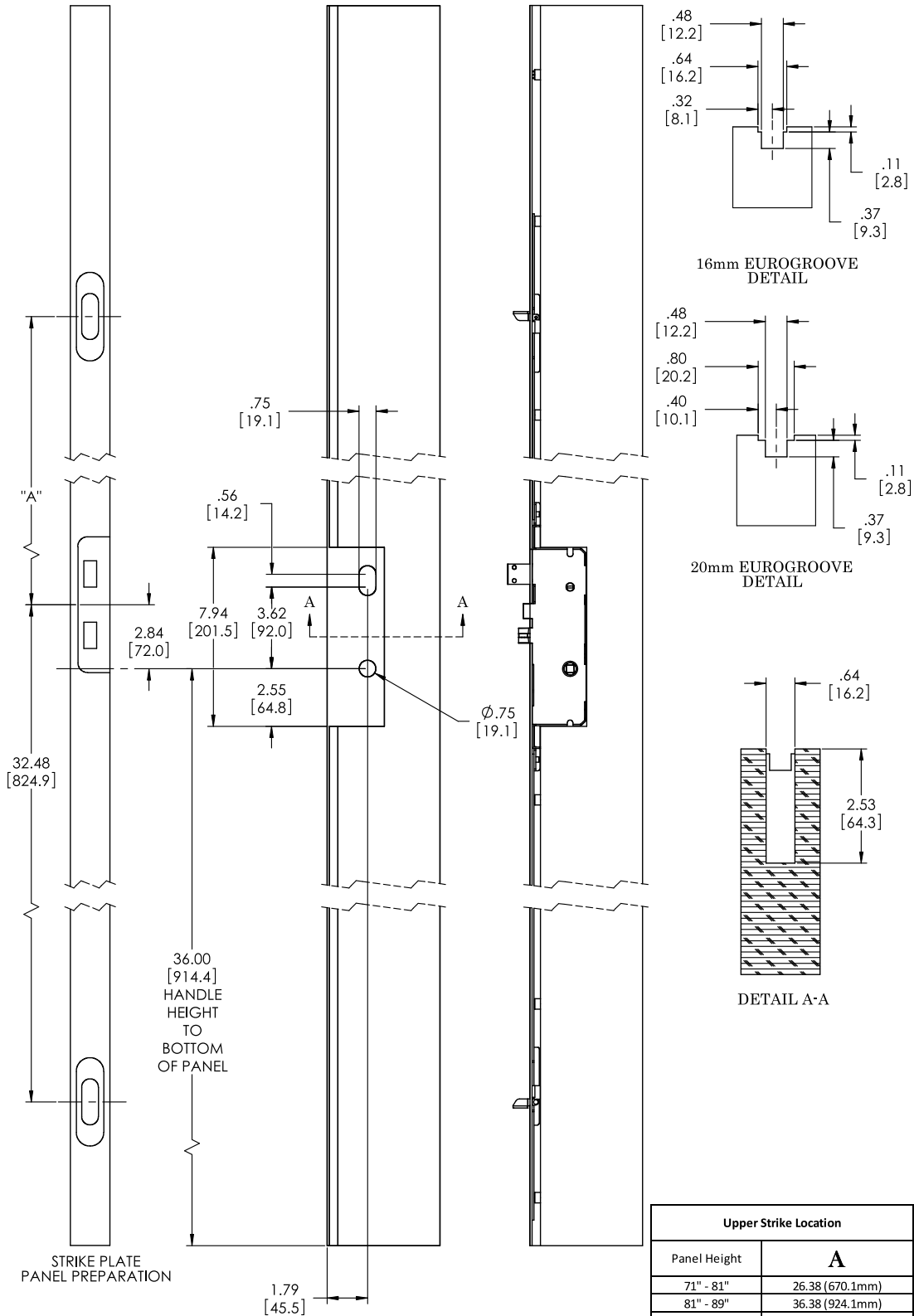
**DETAIL B
HANDING OF
LATCH BOLT**

Available Strike Plates		
Description	1-3/4 panel	2-1/4 panel
Center Strike Plate (see figure 60)	33501	33495
Remote Tongue Strike (see figure 62)	33499	33499

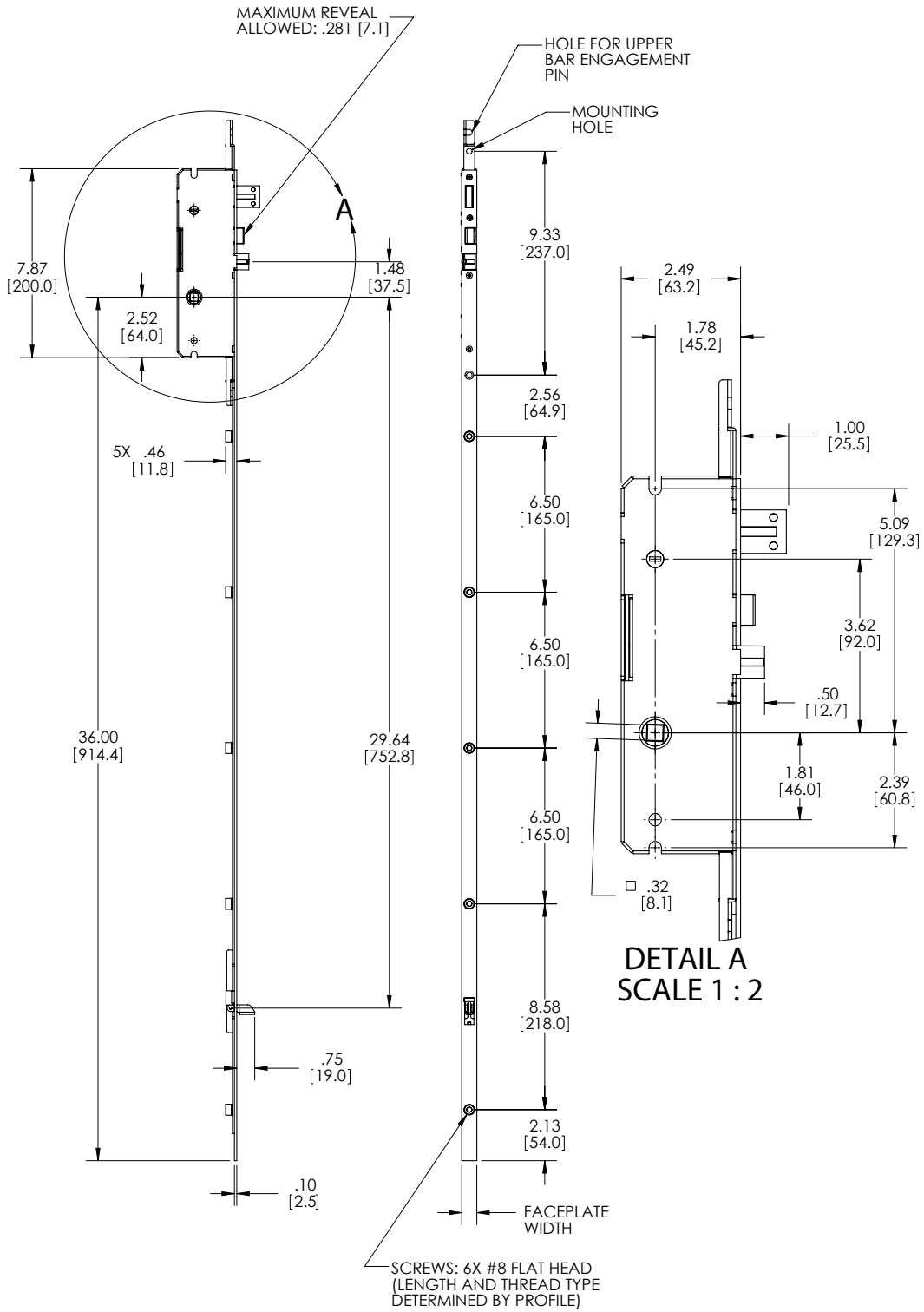
3 Point Tongue System		Active Panel			
		16mm Face Plate	20mm Face Plate	Unit Length	
Gear and Lower Bar Assembly					
Backset 45mm		13922	13957	41.3 (1050.3mm)	
Upper Bar					
Panel Height	97" - 105"	Upper Bar	13932	13967	39.70 (1008.4mm)
		Extension Bar	13920	13955	24.00 (609.6mm)
	105" - 113"	Upper Bar	13933	13968	47.70 (1211.6mm)
		Extension Bar	13920	13955	24.00 (609.6mm)
	113" - 121"	Upper Bar	13934	13969	55.70 (1414.8mm)
		Extension Bar	13920	13955	24.00 (609.6mm)

SENTRY™ MULTI-POINT HINGED PATIO DOOR SYSTEM

FIG. 4 SENTRY HINGED PATIO DOOR LOCKS
3 POINT TONGUE PANEL PREPARATION

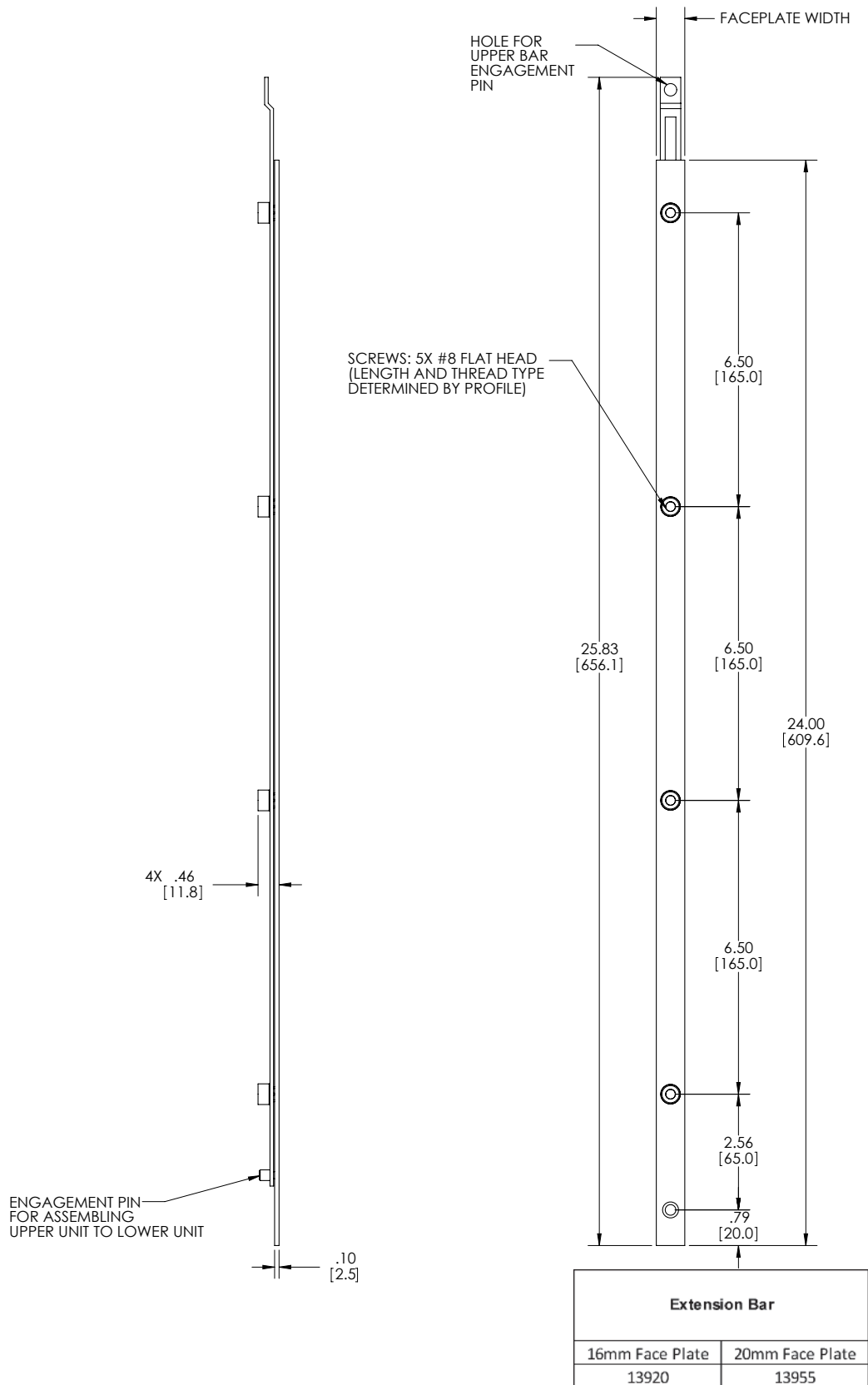


**FIG. 5 SENTRY HINGED PATIO DOOR LOCKS
3 POINT TONGUE GEAR AND LOWER BAR ASSEMBLY**



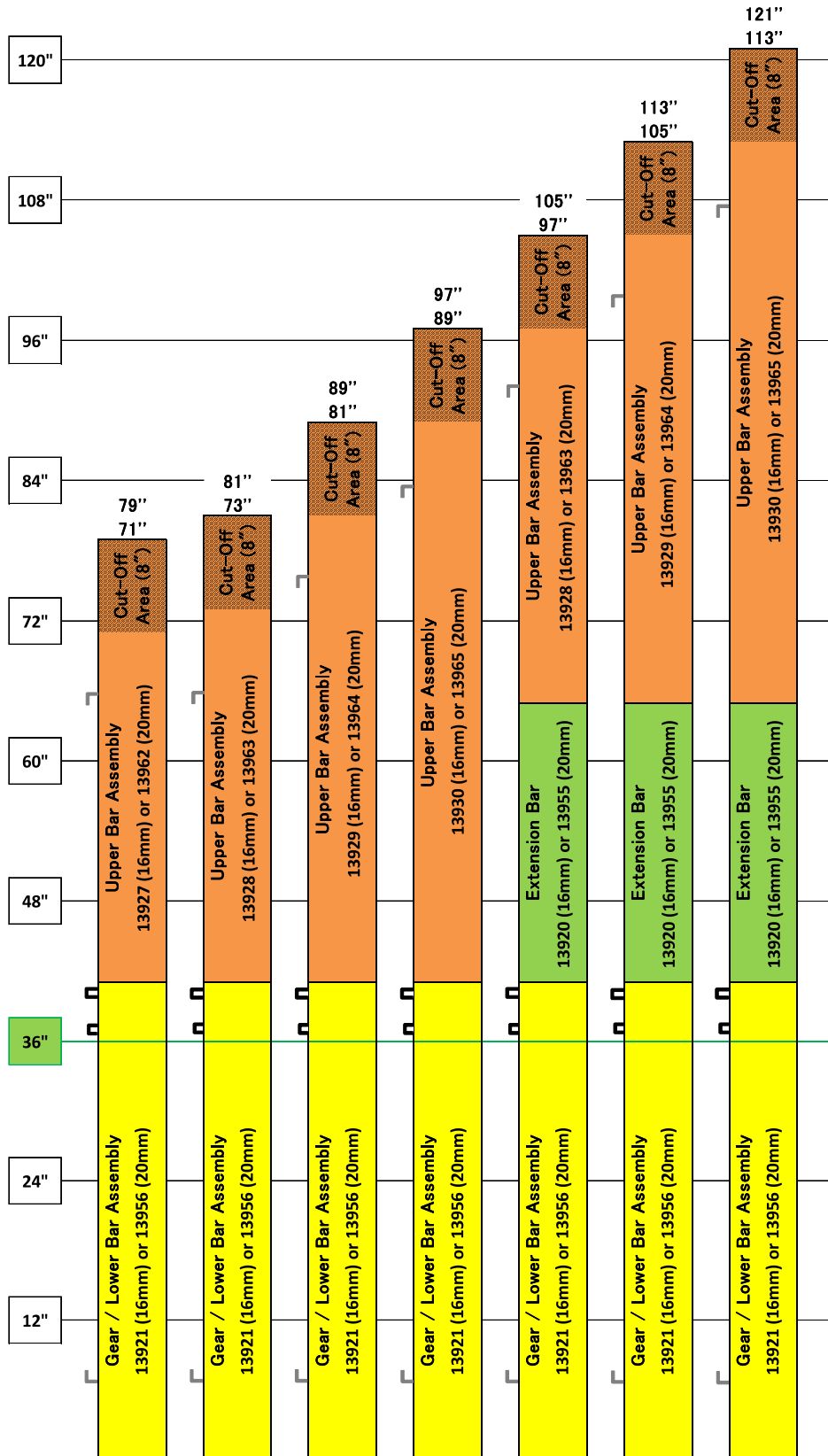
Gear and Lower Bar Assembly	
16mm Face Plate	20mm Face Plate
13922	13957

**FIG. 7 SENTRY HINGED PATIO DOOR LOCKS
EXTENSION BAR ASSEMBLY**

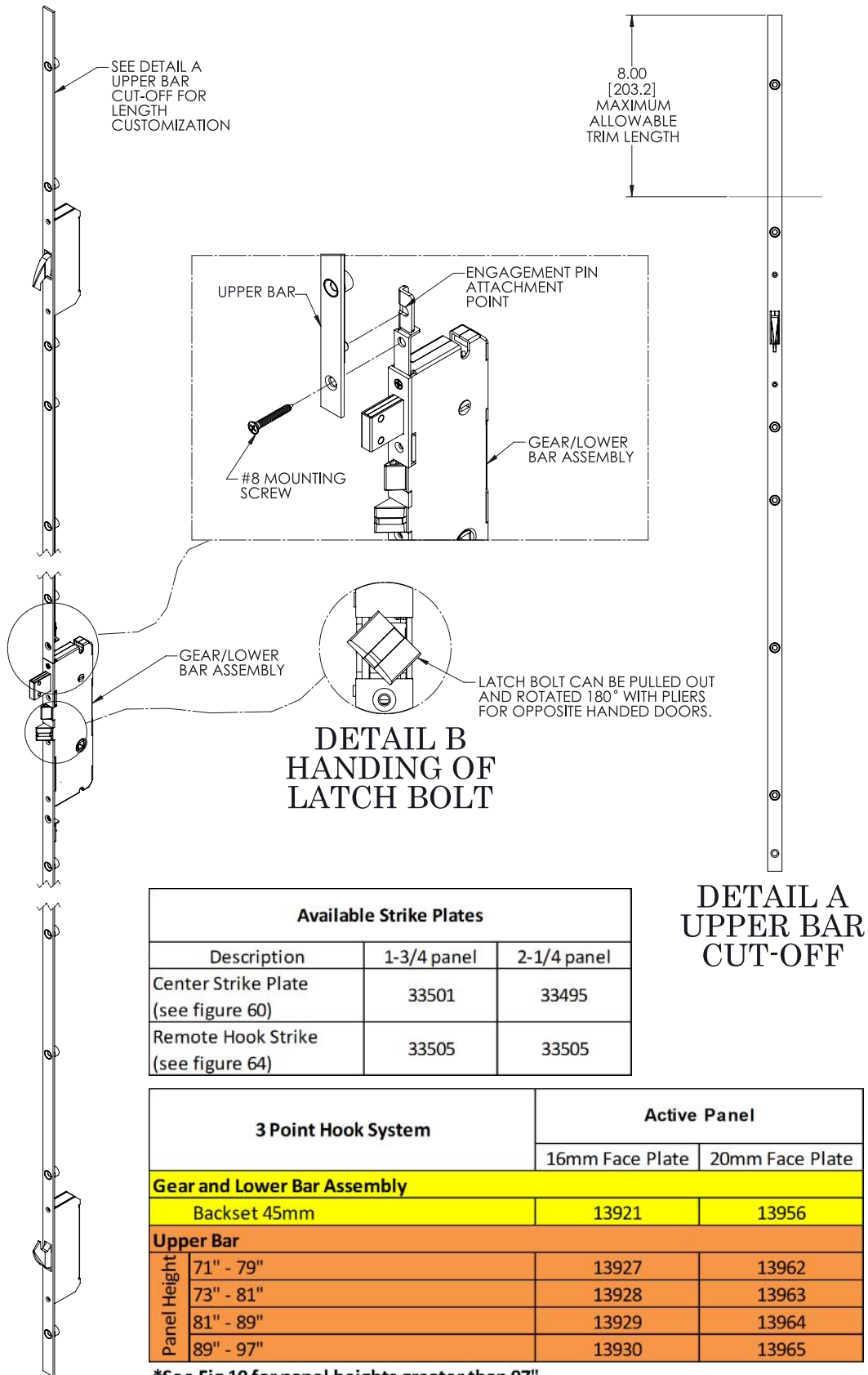


SENTRY™ MULTI-POINT HINGED PATIO DOOR SYSTEM

FIG. 8 SENTRY HINGED PATIO DOOR LOCKS
3 POINT HOOK CONFIGURATION MATRIX



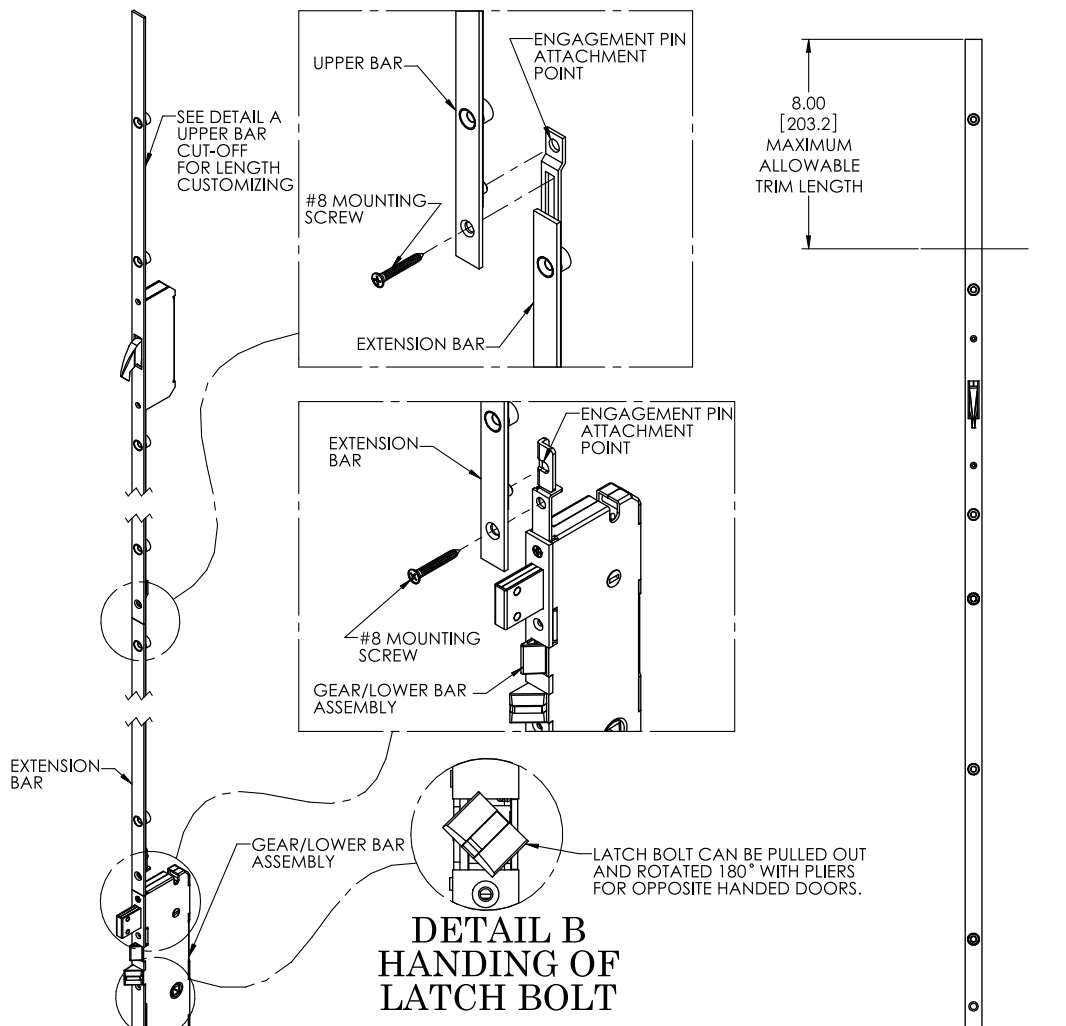
**FIG. 9 SENTRY HINGED PATIO DOOR LOCKS
3 POINT HOOK ASSEMBLY FOR PANELS 71" TO 97"**



*See Fig 10 for panel heights greater than 97"

SENTRY™ MULTI-POINT HINGED PATIO DOOR SYSTEM

FIG. 10 SENTRY HINGED PATIO DOOR LOCKS
3 POINT HOOK ASSEMBLY FOR PANELS 97" TO 121"

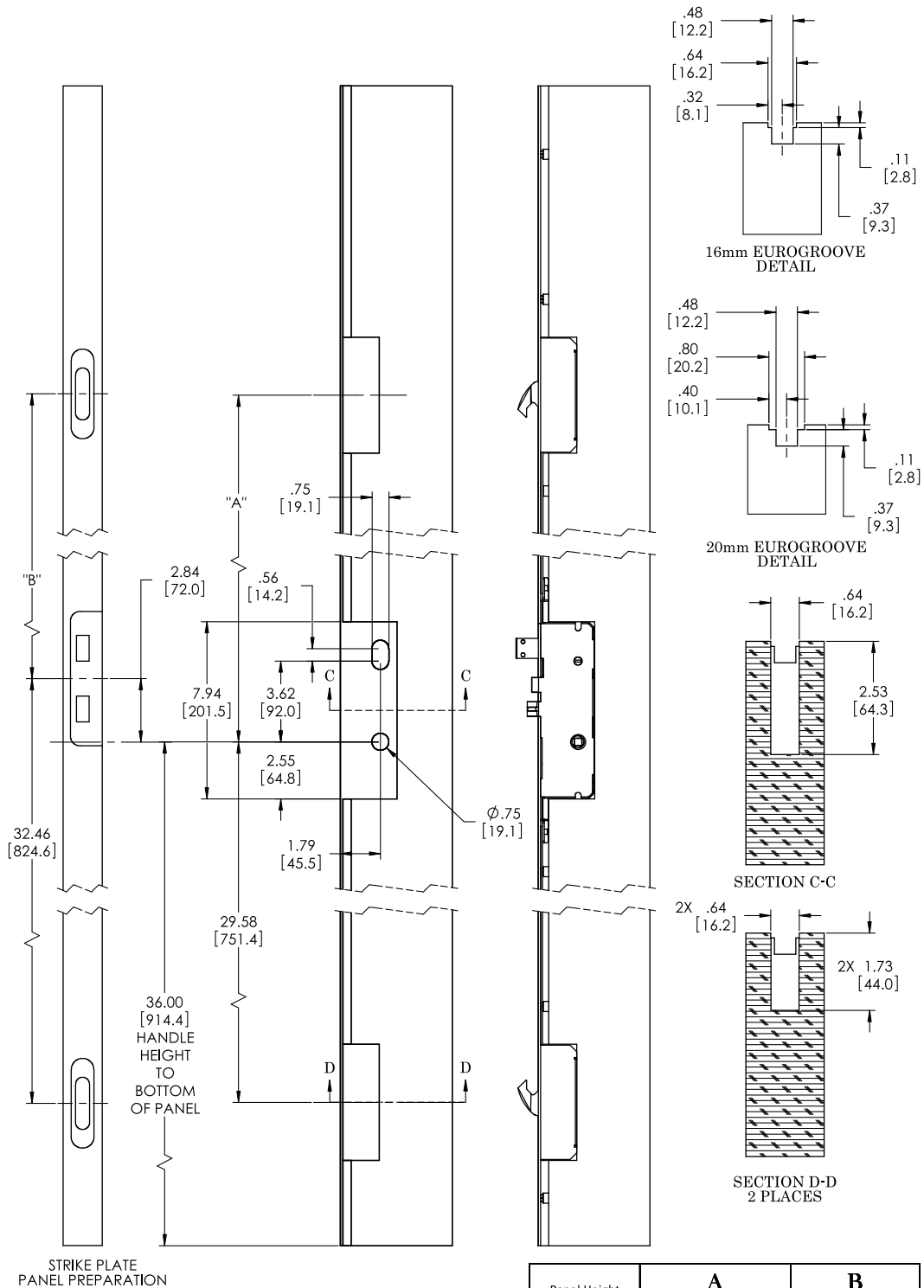


DETAIL A
UPPER BAR
CUT-OFF

Available Strike Plates		
Description	1-3/4 panel	2-1/4 panel
Center Strike Plate (see figure 60)	33501	33495
Remote Hook Strike (see figure 64)	33505	33505

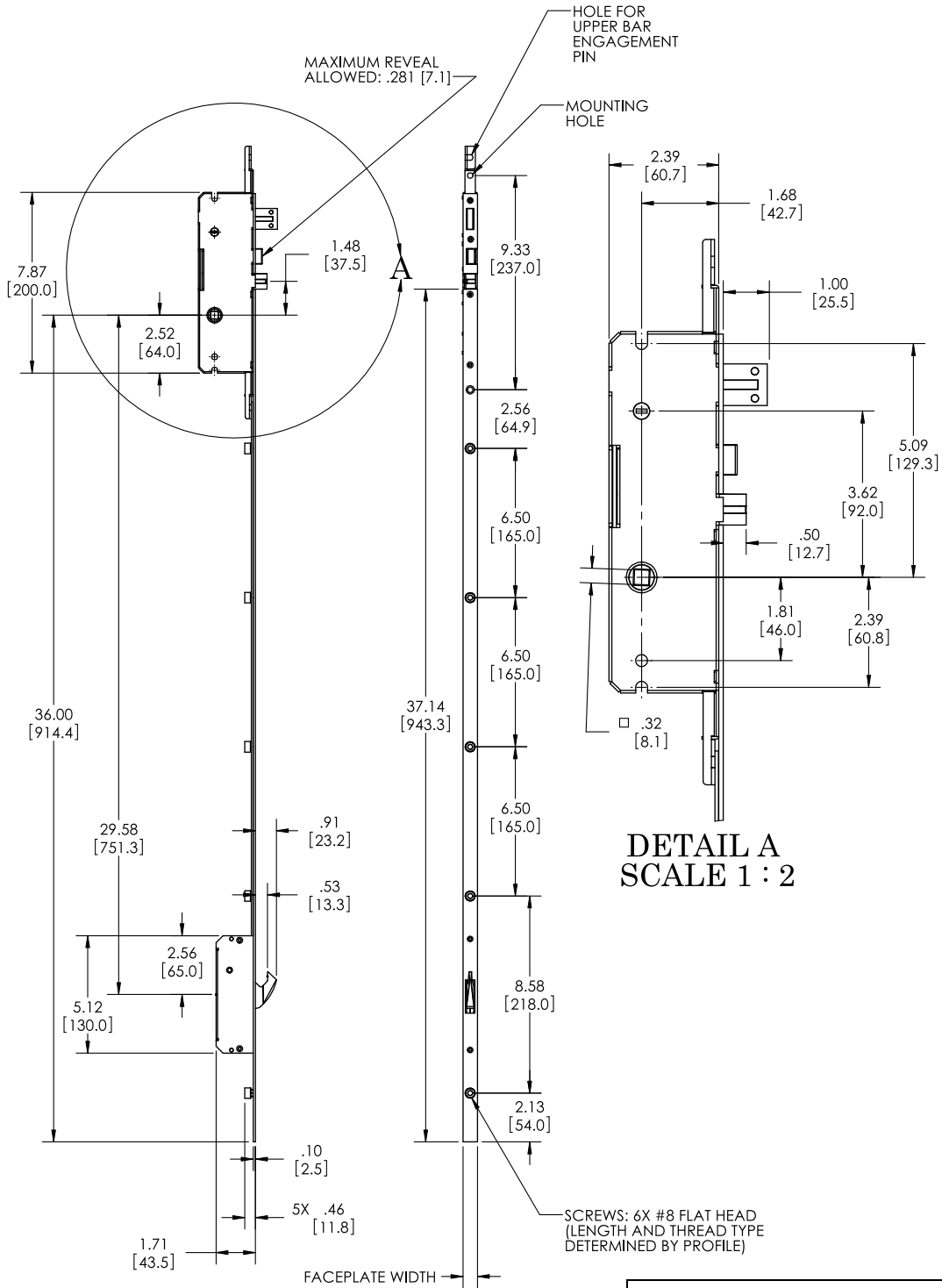
3 point Hook System		Active Panel			
		16mm Face Plate	20mm Face Plate	Unit Length	
Gear and Lower Bar Assembly					
Backset 45mm		13921	13956	41.3 (1050.3mm)	
Upper Bar					
Panel Height	97" - 105"	Upper Bar	13928	13963	39.70 (1008.4mm)
		Extension Bar	13920	13955	24.00 (609.6mm)
	105" - 113"	Upper Bar	13929	13964	47.70 (1211.6mm)
		Extension Bar	13920	13955	24.00 (609.6mm)
	113" - 121"	Upper Bar	13930	13965	55.70 (1414.8mm)
		Extension Bar	13920	13955	24.00 (609.6mm)

**FIG. 11 SENTRY HINGED PATIO DOOR LOCKS
3 POINT HOOK PANEL PREPARATION**



SENTRY™ MULTI-POINT HINGED PATIO DOOR SYSTEM

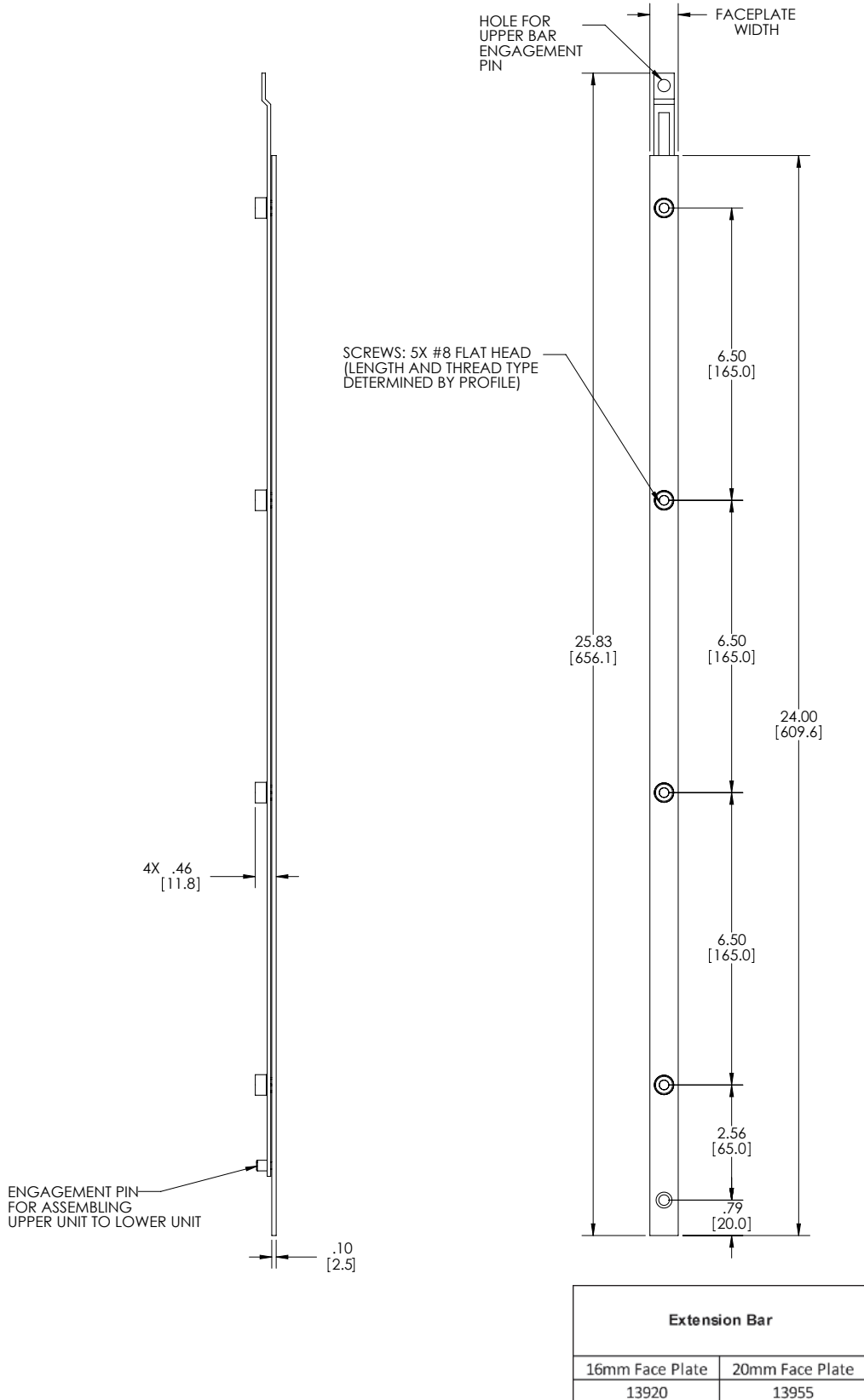
FIG. 12 SENTRY HINGED PATIO DOOR LOCKS
3 POINT HOOK GEAR AND LOWER BAR ASSEMBLY



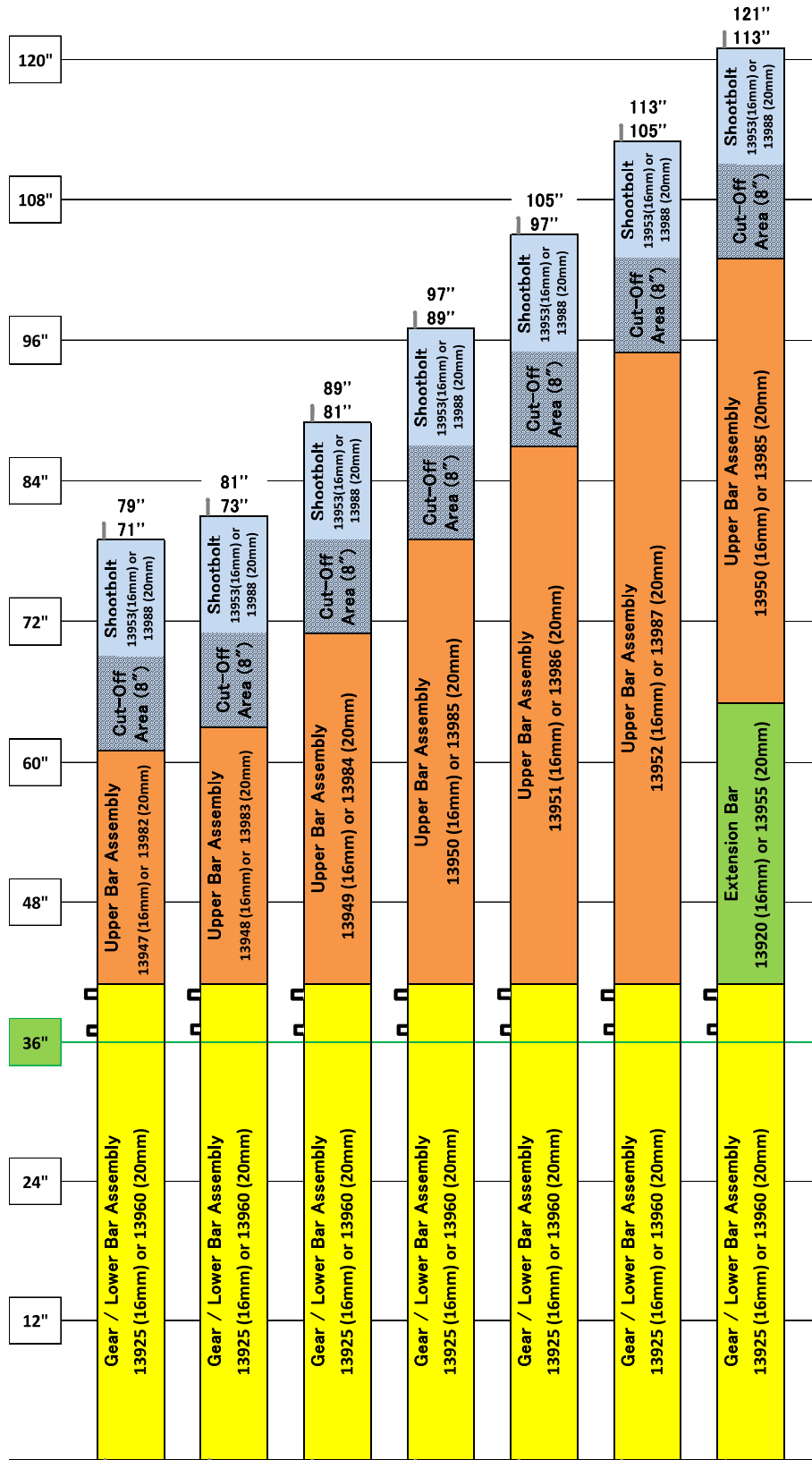
Gear and Lower Bar Assembly	
16mm Face Plate	20mm Face Plate
13921	13956

SENTRY™ MULTI-POINT HINGED PATIO DOOR SYSTEM

FIG. 14 SENTRY HINGED PATIO DOOR LOCKS
EXTENSION BAR ASSEMBLY

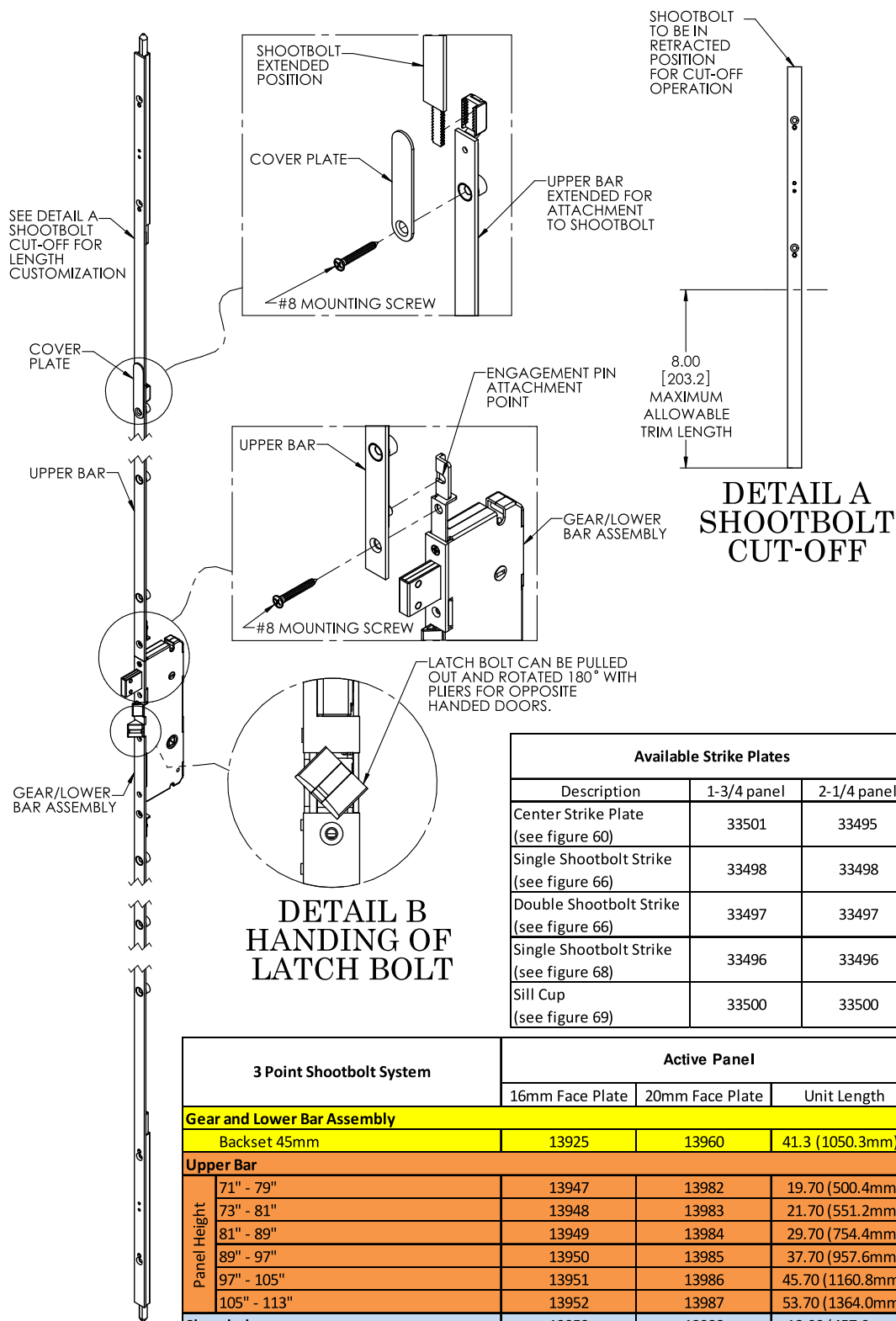


**FIG. 15 SENTRY HINGED PATIO DOOR LOCKS
3 POINT SHOOTBOLT CONFIGURATION MATRIX**



SENTRY™ MULTI-POINT HINGED PATIO DOOR SYSTEM

FIG. 16 SENTRY HINGED PATIO DOOR LOCKS
3 POINT SHOOTBOLT ASSEMBLY FOR PANELS 71" TO 113"



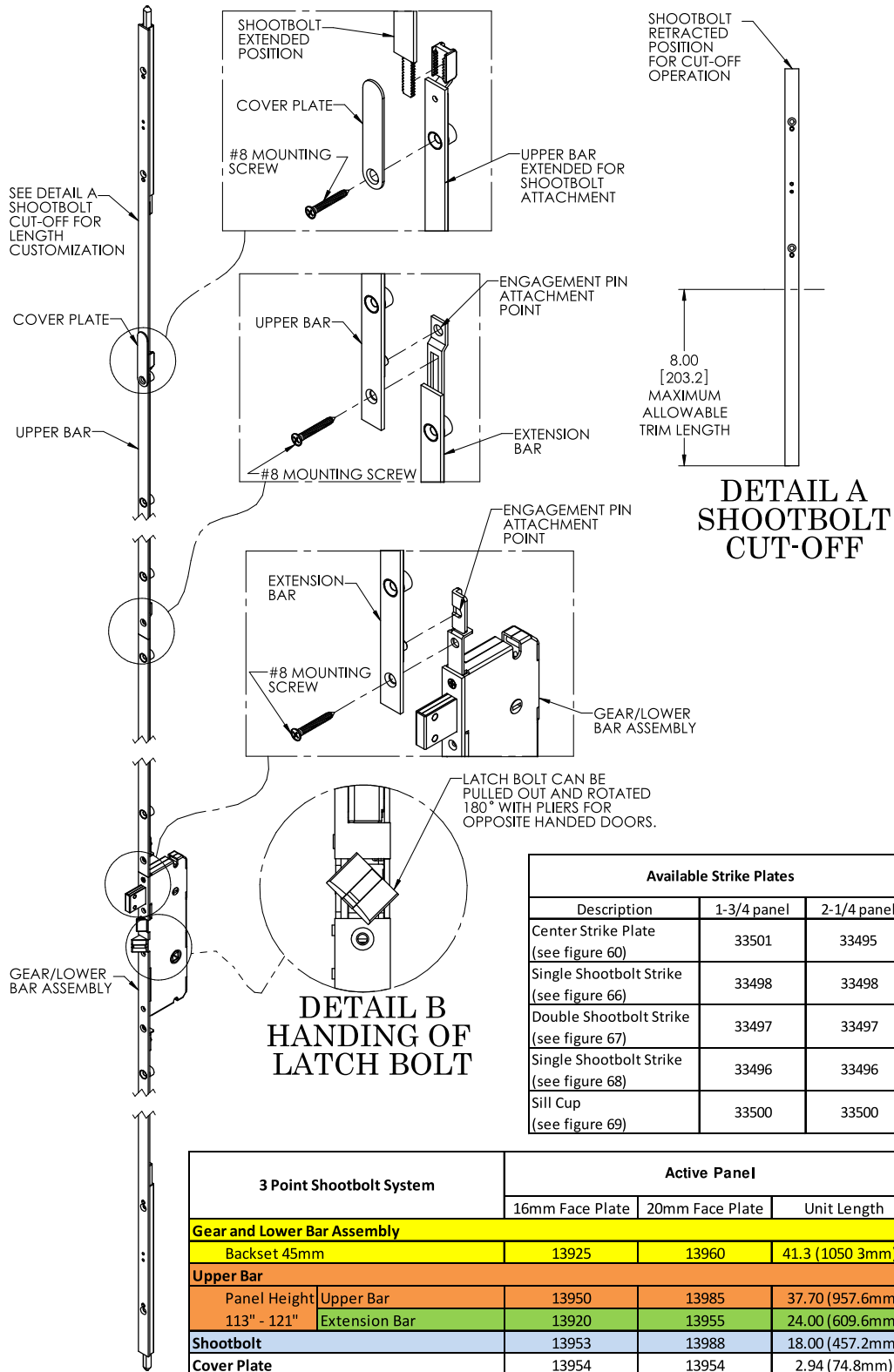
Available Strike Plates		
Description	1-3/4 panel	2-1/4 panel
Center Strike Plate (see figure 60)	33501	33495
Single Shootbolt Strike (see figure 66)	33498	33498
Double Shootbolt Strike (see figure 66)	33497	33497
Single Shootbolt Strike (see figure 68)	33496	33496
Sill Cup (see figure 69)	33500	33500

3 Point Shootbolt System		Active Panel		
		16mm Face Plate	20mm Face Plate	Unit Length
Gear and Lower Bar Assembly				
Backset 45mm		13925	13960	41.3 (1050.3mm)
Upper Bar				
Panel Height	71" - 79"	13947	13982	19.70 (500.4mm)
	73" - 81"	13948	13983	21.70 (551.2mm)
	81" - 89"	13949	13984	29.70 (754.4mm)
	89" - 97"	13950	13985	37.70 (957.6mm)
	97" - 105"	13951	13986	45.70 (1160.8mm)
	105" - 113"	13952	13987	53.70 (1364.0mm)
Shootbolt		13953	13988	18.00 (457.2mm)
Cover Plate		13954	13954	2.94 (74.8mm)

*See Fig 17 for panel heights greater than 113"

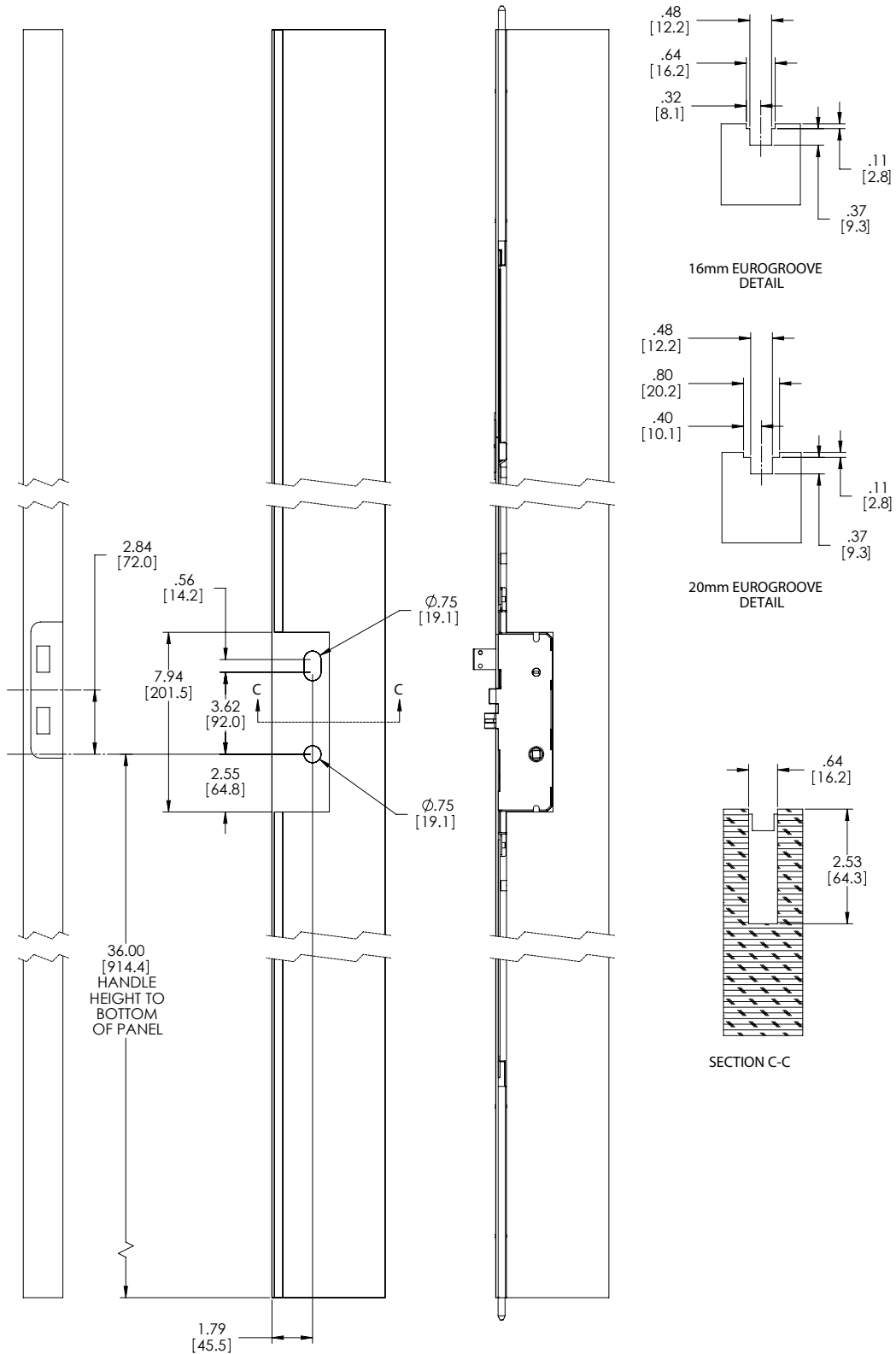
SENTRY™ MULTI-POINT HINGED PATIO DOOR SYSTEM

FIG. 17 SENTRY HINGED PATIO DOOR LOCKS
3 POINT SHOOTBOLT ASSEMBLY FOR PANELS 113" TO 121"

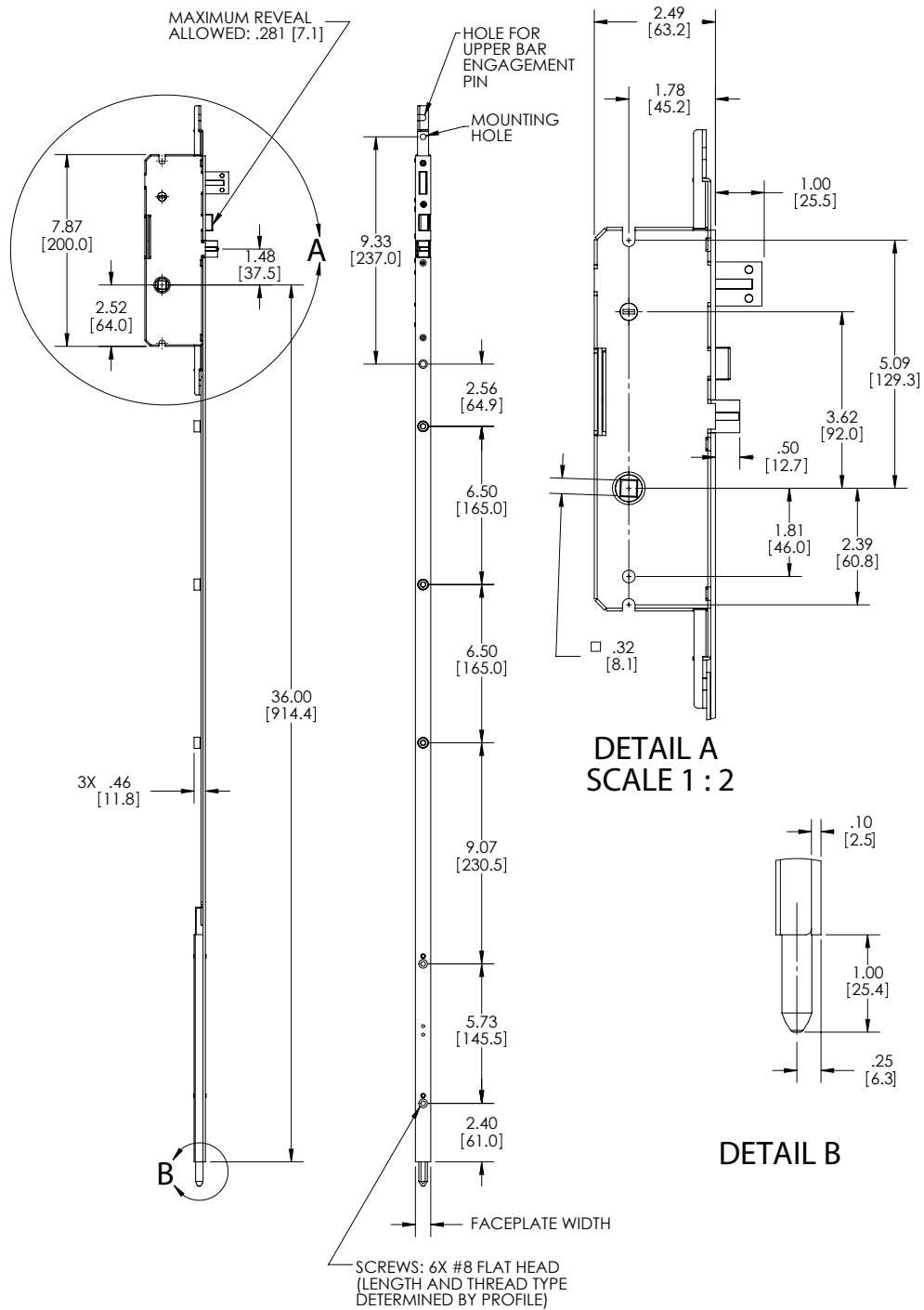


SENTRY™ MULTI-POINT HINGED PATIO DOOR SYSTEM

FIG. 18 SENTRY HINGED PATIO DOOR LOCKS
3 POINT SHOOTBOLT PANEL PREPARATION

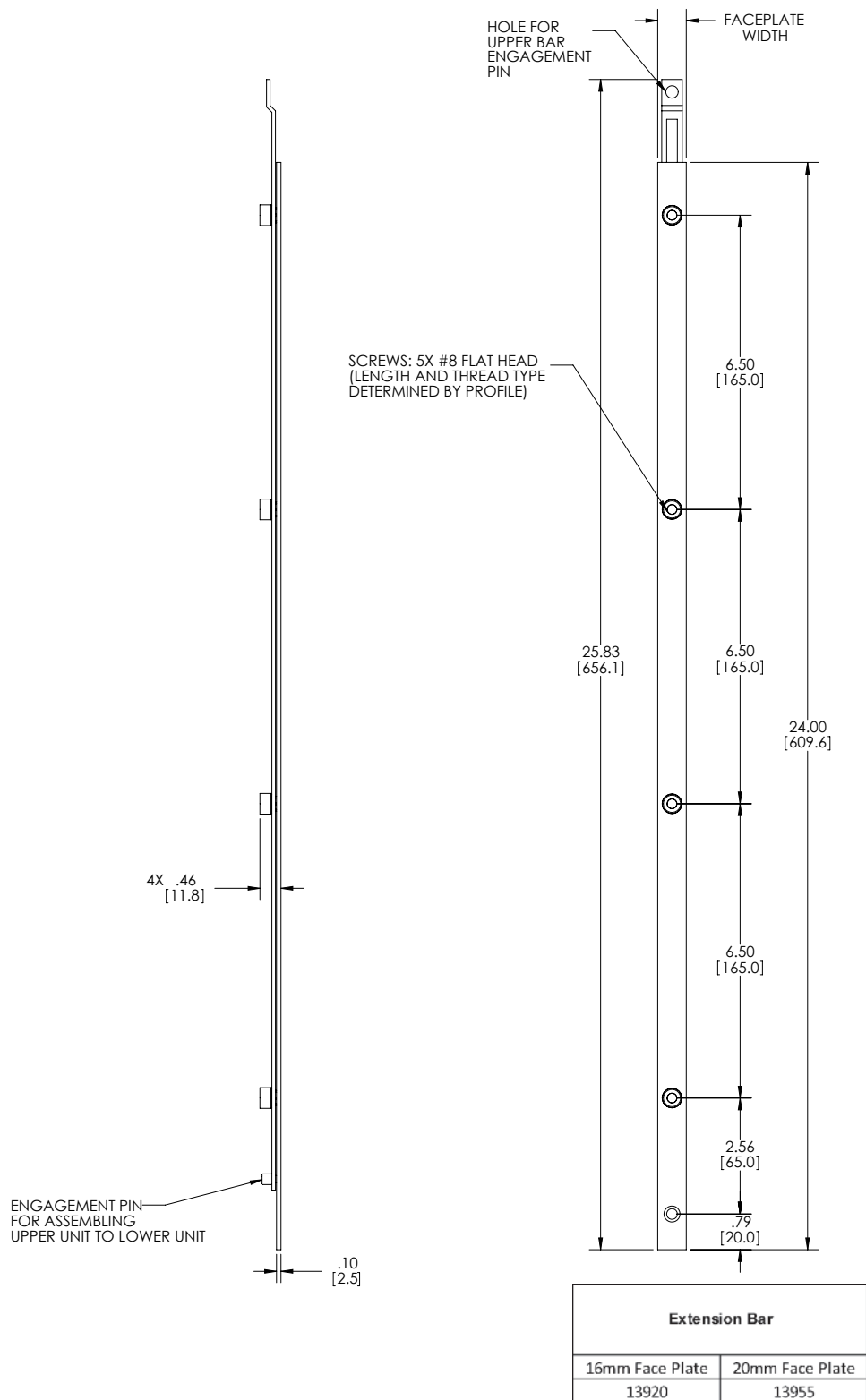


**FIG. 19 SENTRY HINGED PATIO DOOR LOCKS
3 POINT SHOOTBOLT GEAR AND LOWER BAR ASSEMBLY**



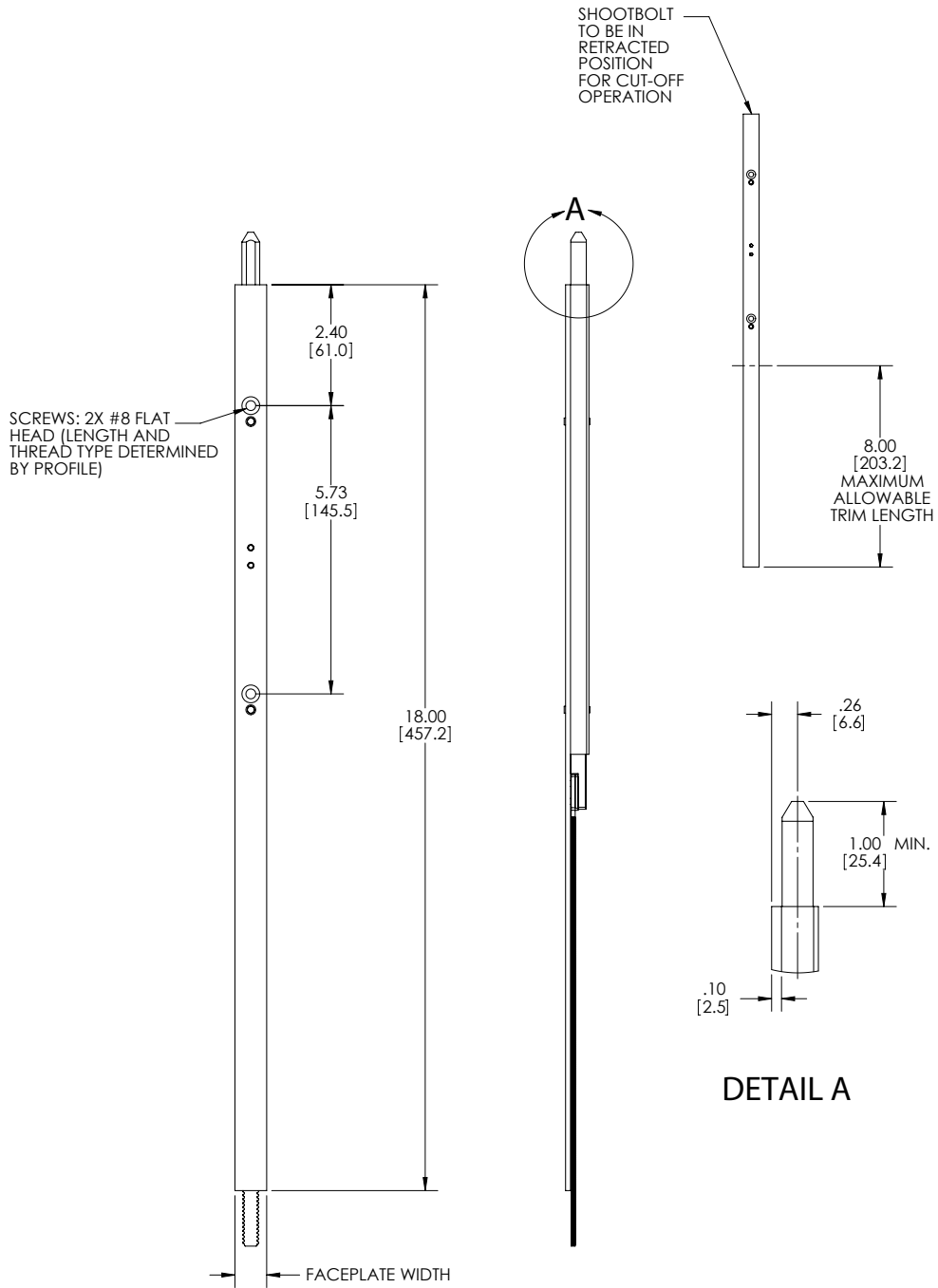
Gear and Lower Bar Assembly	
16mm Face Plate	20mm Face Plate
13925	13960

FIG. 21 SENTRY HINGED PATIO DOOR LOCKS
EXTENSION BAR ASSEMBLY



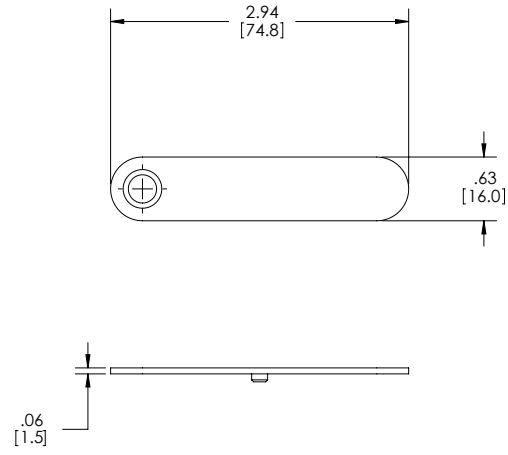
SENTRY™ MULTI-POINT HINGED PATIO DOOR SYSTEM

FIG. 22 SENTRY HINGED PATIO DOOR LOCKS
SHOOTBOLT ASSEMBLY



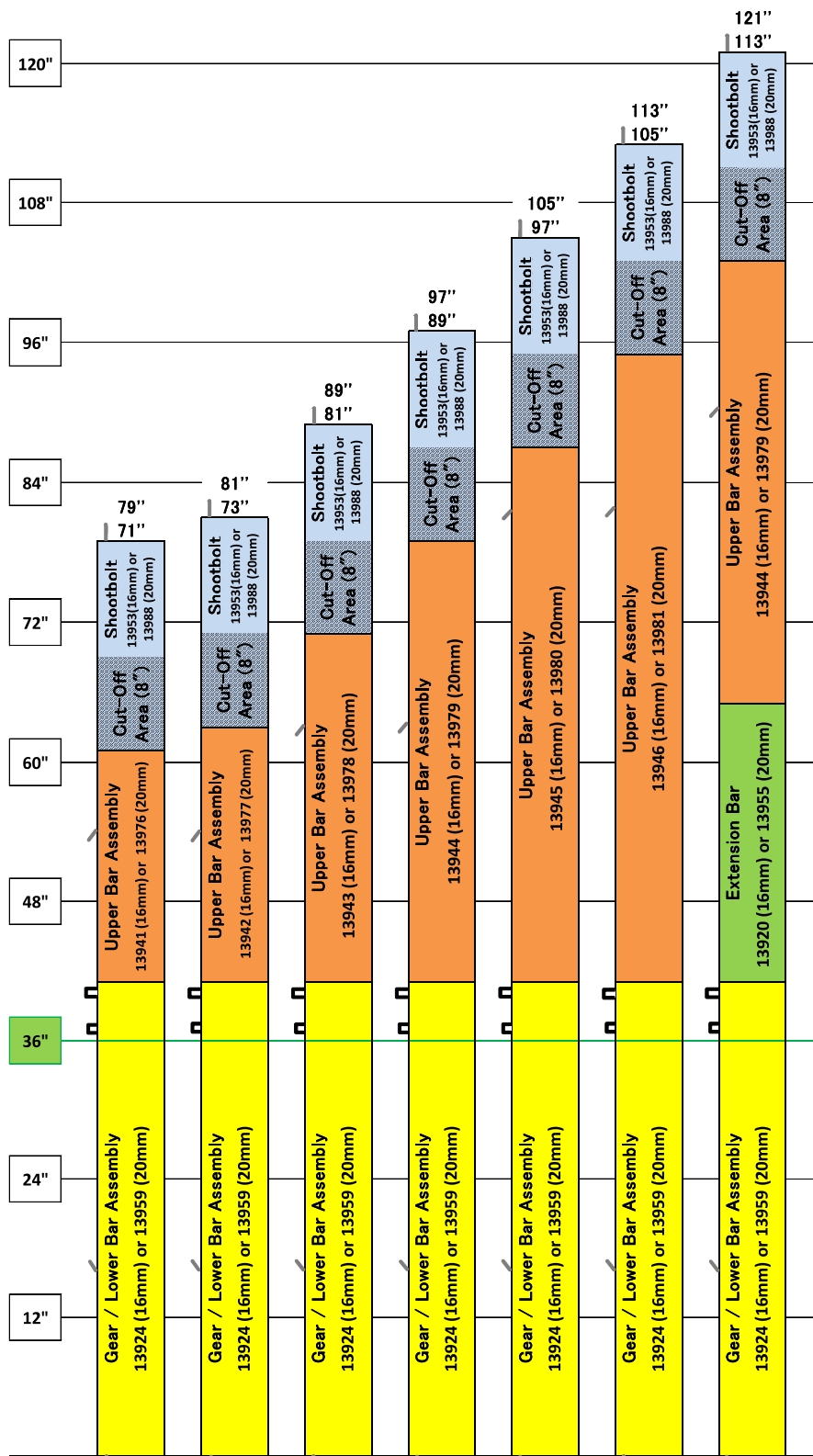
Shootbolt	
16mm Face Plate	20mm Face Plate
13953	13988

FIG. 23 SENTRY HINGED PATIO DOOR LOCKS
13954 COVER PLATE



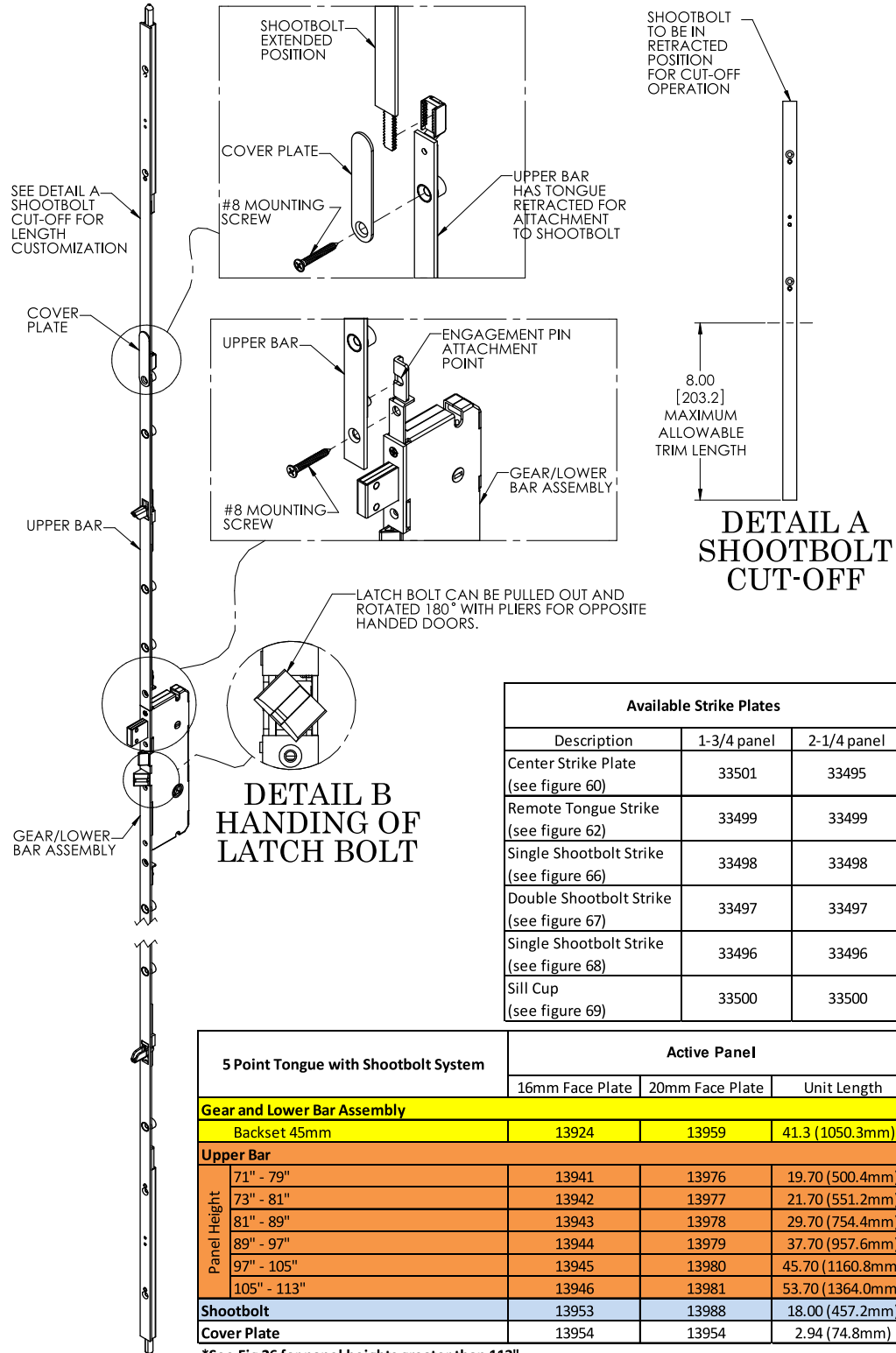
SENTRY™ MULTI-POINT HINGED PATIO DOOR SYSTEM

FIG. 24 SENTRY HINGED PATIO DOOR LOCKS
5 POINT TONGUE AND SHOOTBOLT CONFIGURATION MATRIX



SENTRY™ MULTI-POINT HINGED PATIO DOOR SYSTEM

FIG. 25 SENTRY HINGED PATIO DOOR LOCKS
5 POINT TONGUE AND SHOOTBOLT ASSEMBLY FOR PANELS 71" TO 113"



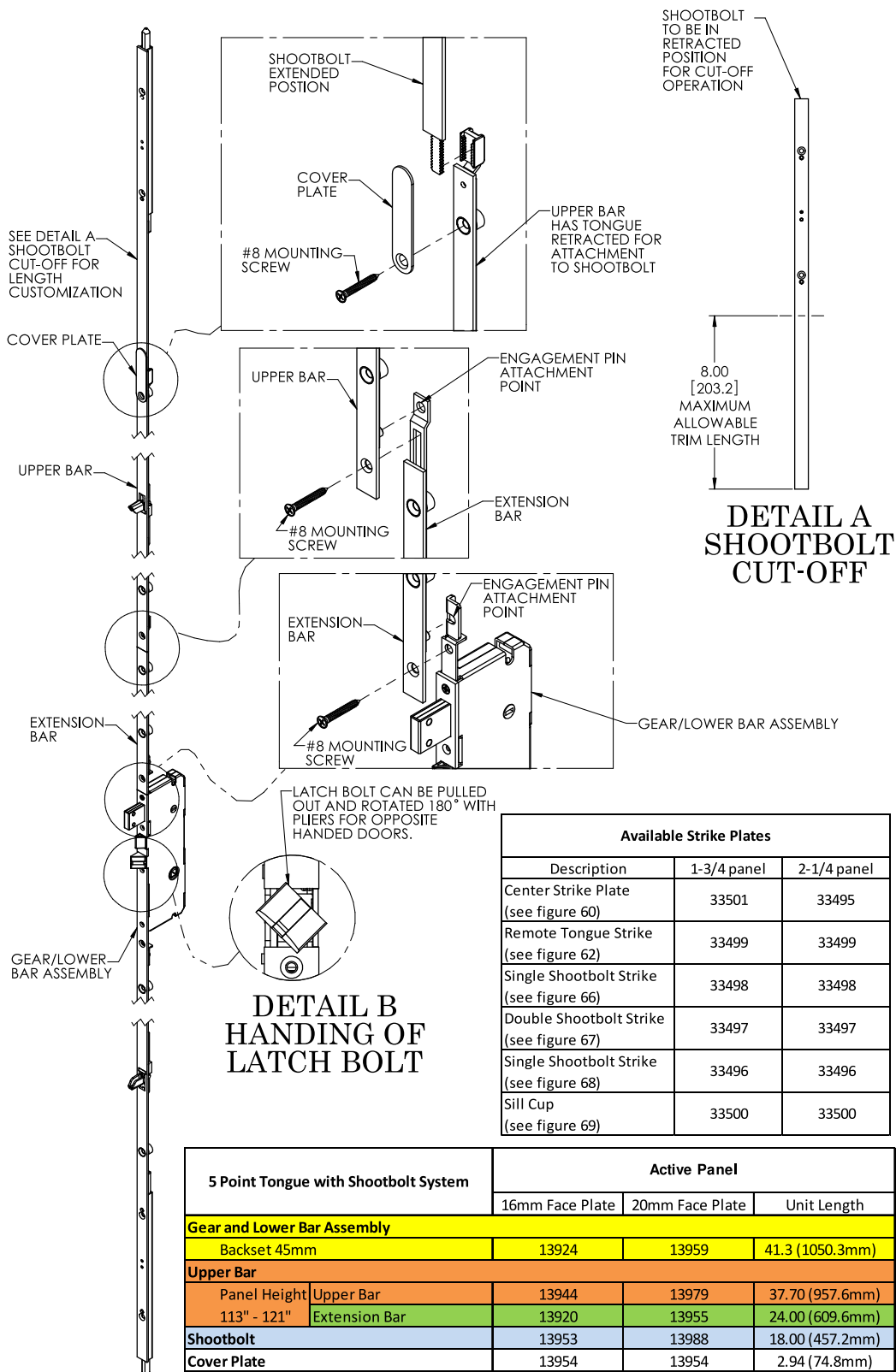
Available Strike Plates		
Description	1-3/4 panel	2-1/4 panel
Center Strike Plate (see figure 60)	33501	33495
Remote Tongue Strike (see figure 62)	33499	33499
Single Shootbolt Strike (see figure 66)	33498	33498
Double Shootbolt Strike (see figure 67)	33497	33497
Single Shootbolt Strike (see figure 68)	33496	33496
Sill Cup (see figure 69)	33500	33500

5 Point Tongue with Shootbolt System		Active Panel		
		16mm Face Plate	20mm Face Plate	Unit Length
Gear and Lower Bar Assembly				
Backset 45mm		13924	13959	41.3 (1050.3mm)
Upper Bar				
Panel Height	71" - 79"	13941	13976	19.70 (500.4mm)
	73" - 81"	13942	13977	21.70 (551.2mm)
	81" - 89"	13943	13978	29.70 (754.4mm)
	89" - 97"	13944	13979	37.70 (957.6mm)
	97" - 105"	13945	13980	45.70 (1160.8mm)
	105" - 113"	13946	13981	53.70 (1364.0mm)
Shootbolt		13953	13988	18.00 (457.2mm)
Cover Plate		13954	13954	2.94 (74.8mm)

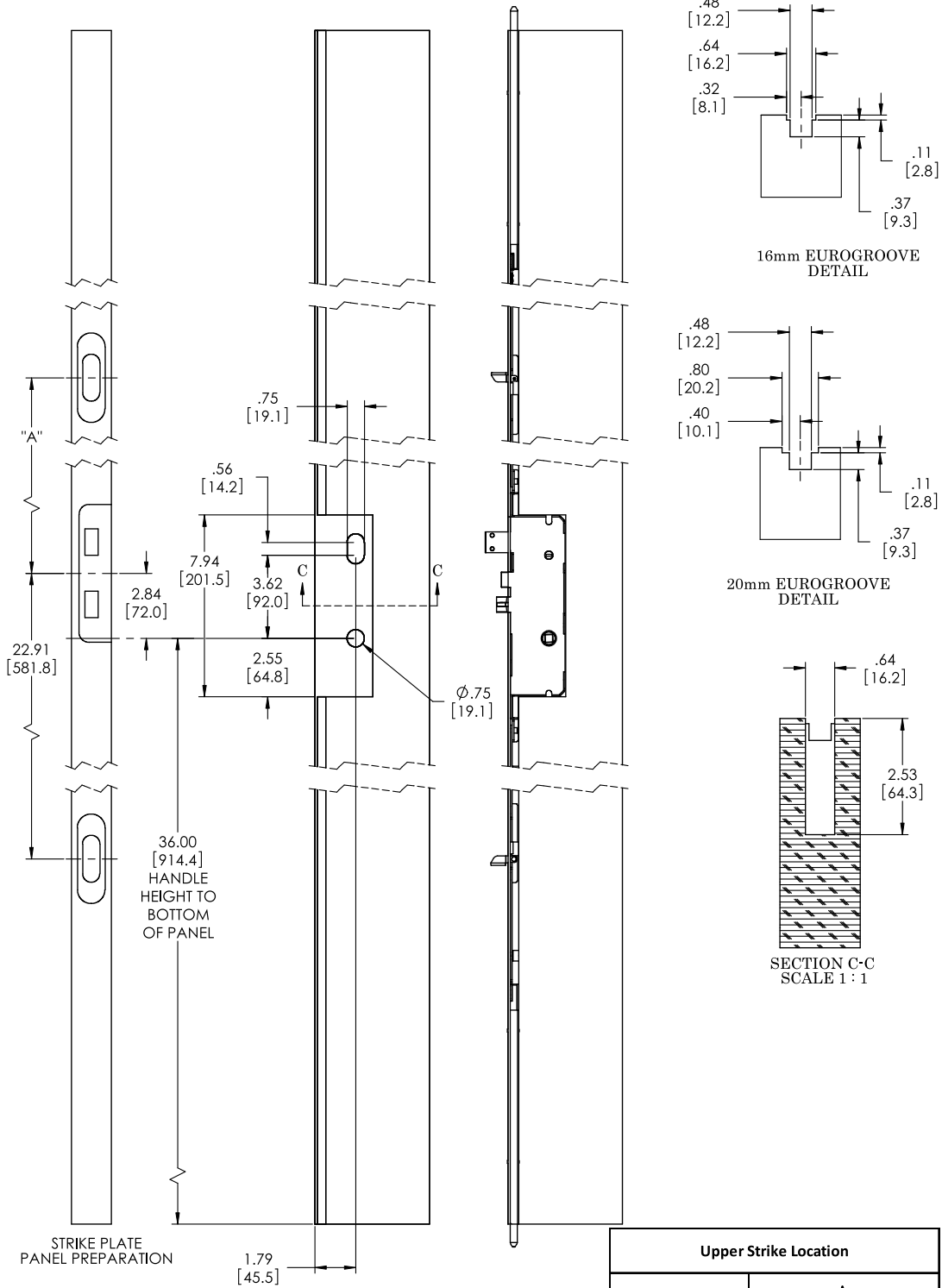
*See Fig 26 for panel heights greater than 113"

SENTRY™ MULTI-POINT HINGED PATIO DOOR SYSTEM

FIG. 26 SENTRY HINGED PATIO DOOR LOCKS
5 POINT TONGUE AND SHOOTBOLT ASSEMBLY FOR PANELS 113" TO 121"

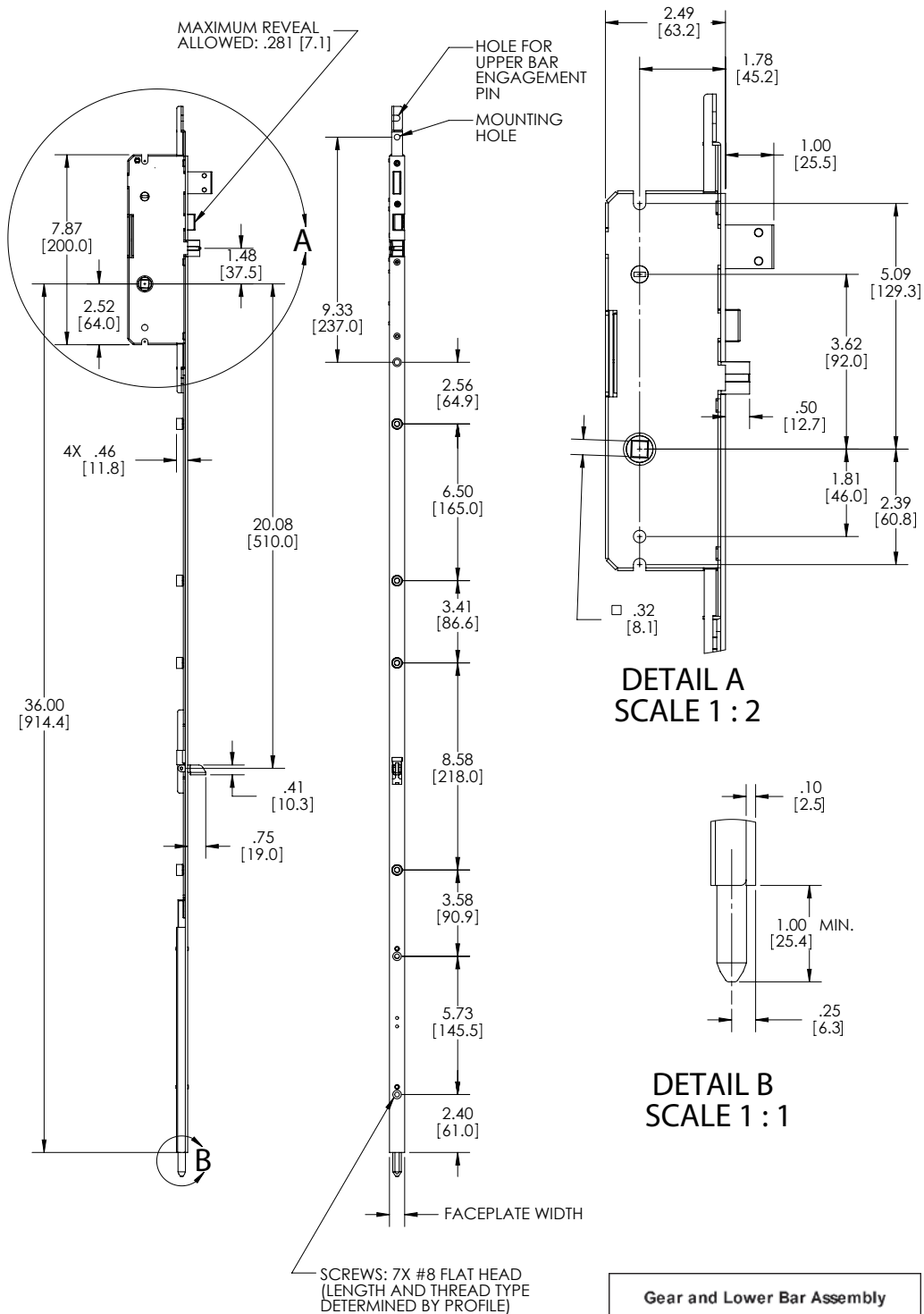


**FIG. 27 SENTRY HINGED PATIO DOOR LOCKS
5 POINT TONGUE AND SHOOTBOLT PANEL PREPARATION**



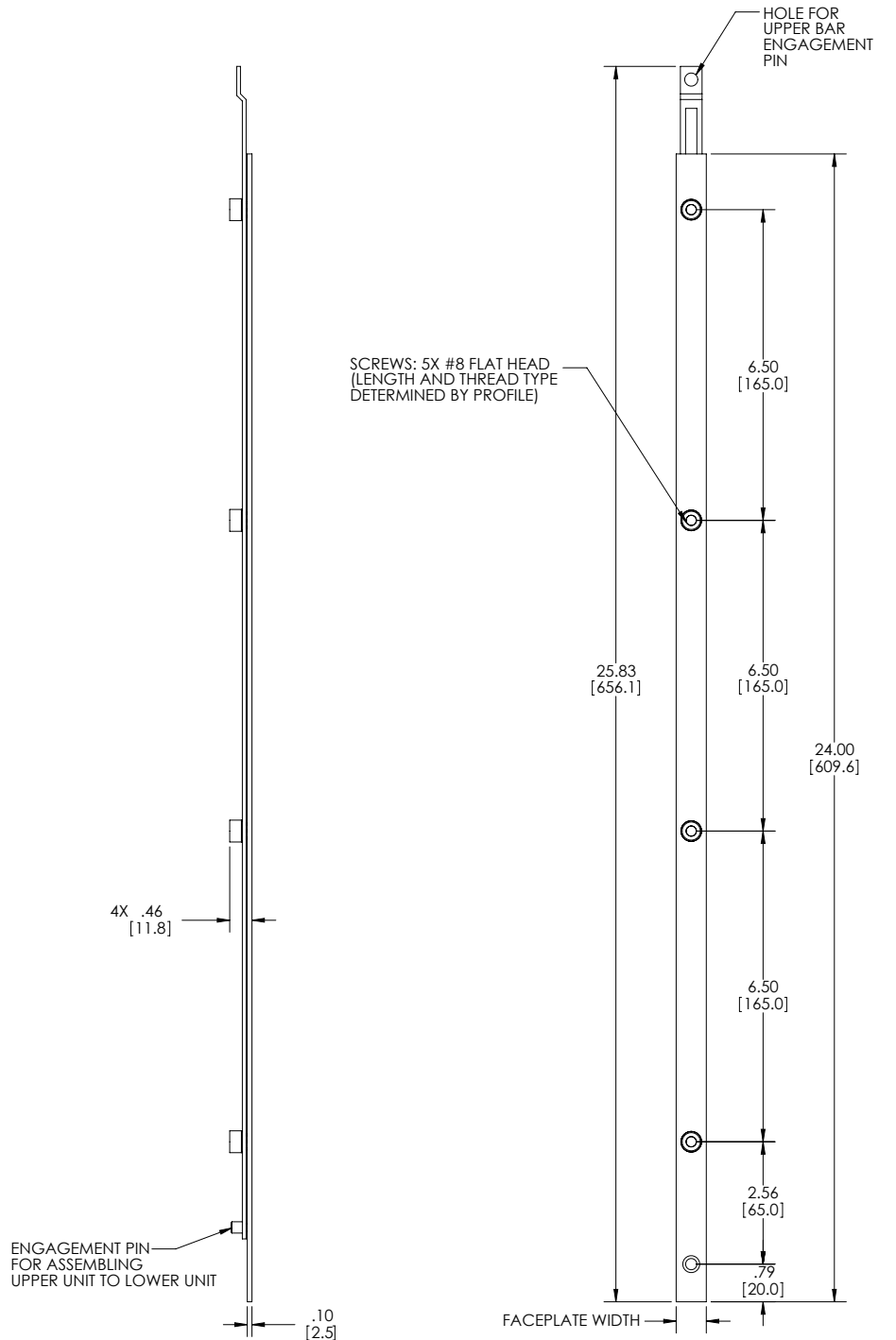
SENTRY™ MULTI-POINT HINGED PATIO DOOR SYSTEM

FIG. 28 SENTRY HINGED PATIO DOOR LOCKS
5 POINT TONGUE AND SHOOTBOLT GEAR AND LOWER BAR ASSEMBLY



Gear and Lower Bar Assembly	
16mm Face Plate	20mm Face Plate
13924	13959

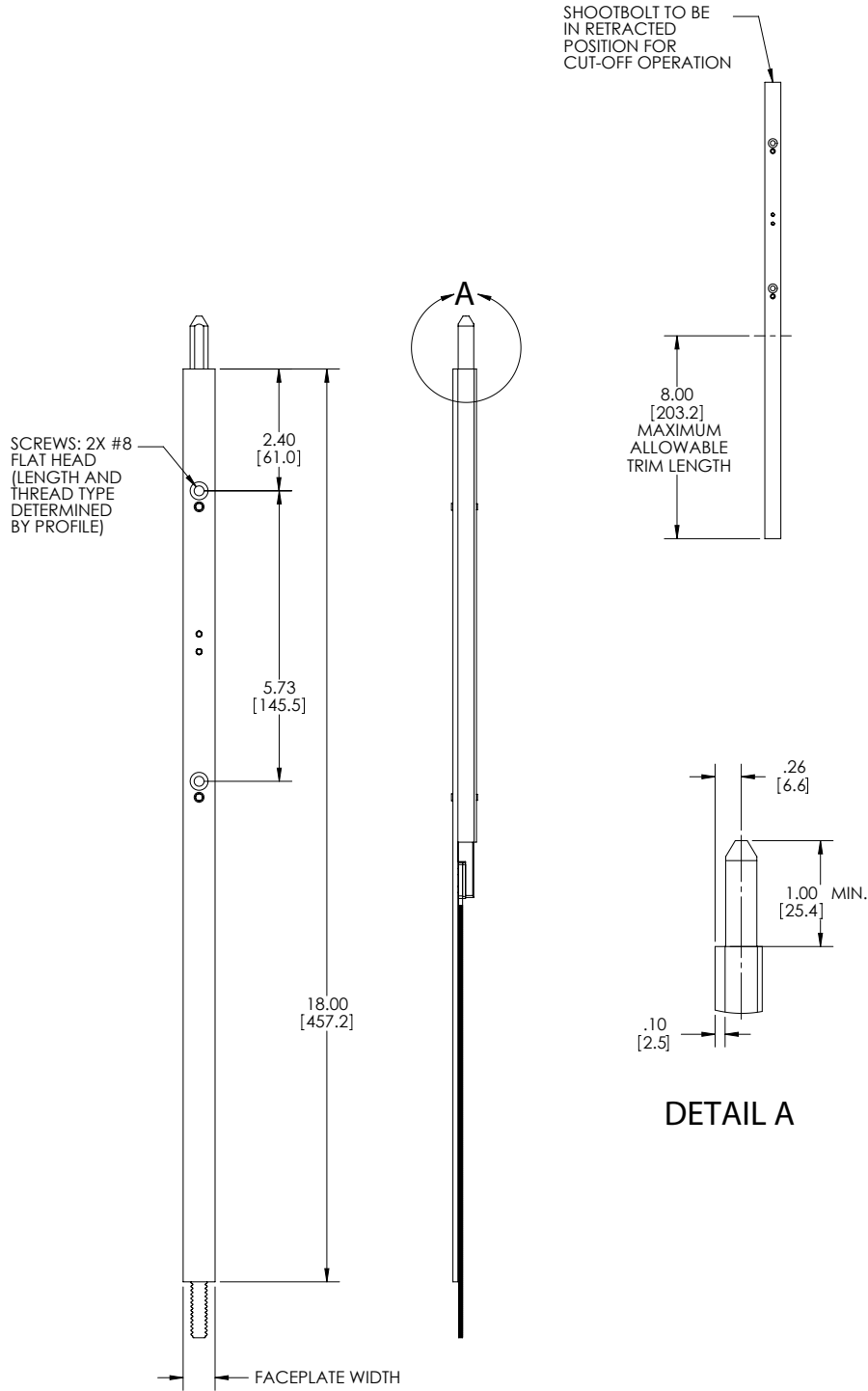
**FIG. 31 SENTRY HINGED PATIO DOOR LOCKS
EXTENSION BAR ASSEMBLY**



Extension Bar	
16mm Face Plate	20mm Face Plate
13920	13955

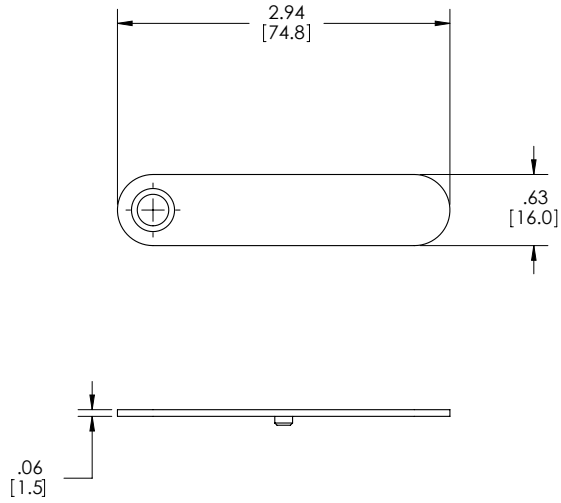
SENTRY™ MULTI-POINT HINGED PATIO DOOR SYSTEM

FIG. 32 SENTRY HINGED PATIO DOOR LOCKS
SHOOTBOLT ASSEMBLY



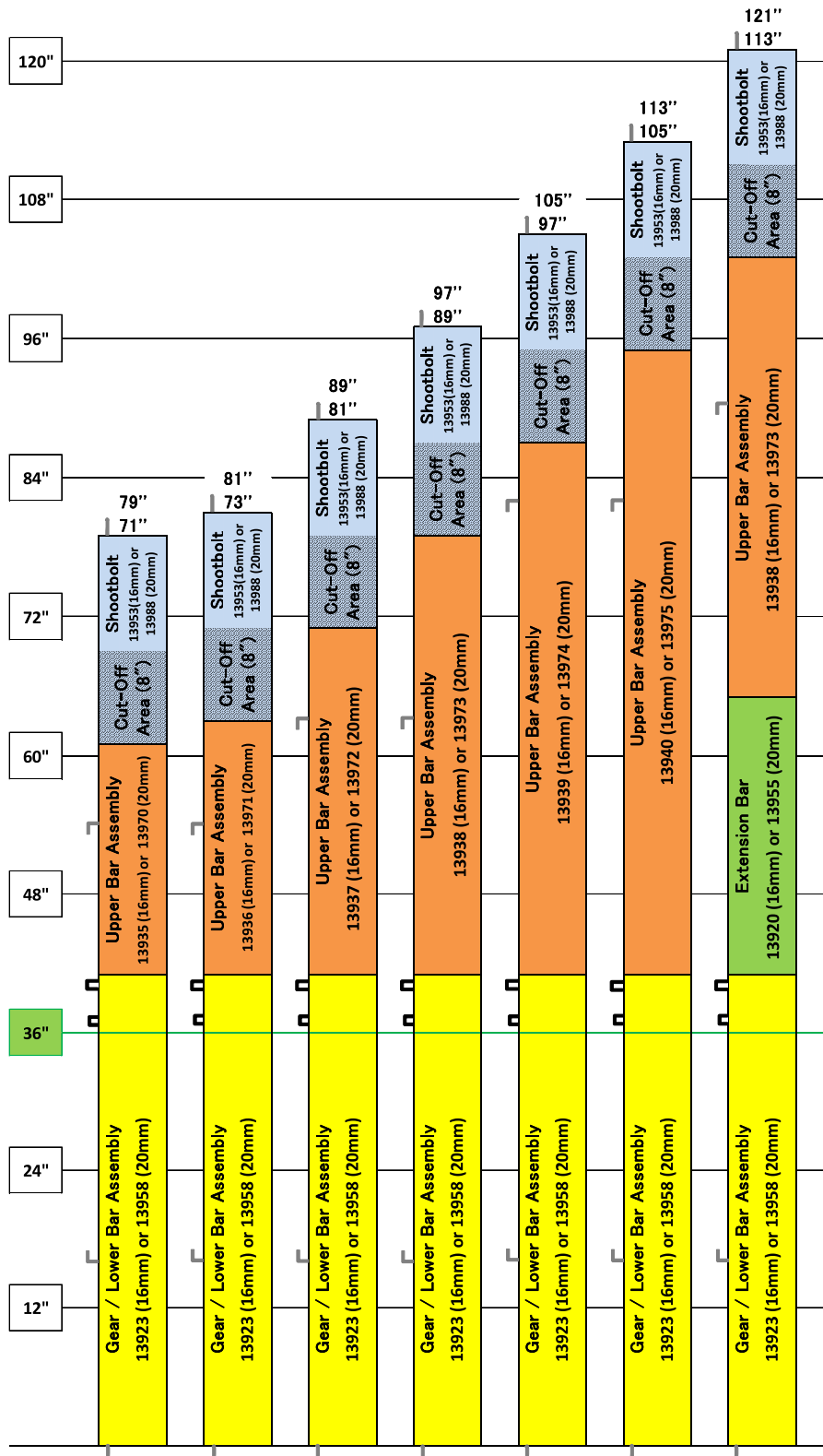
Shootbolt	
16mm Face Plate	20mm Face Plate
13953	13988

FIG. 33 SENTRY HINGED PATIO DOOR LOCKS
13954 COVER PLATE



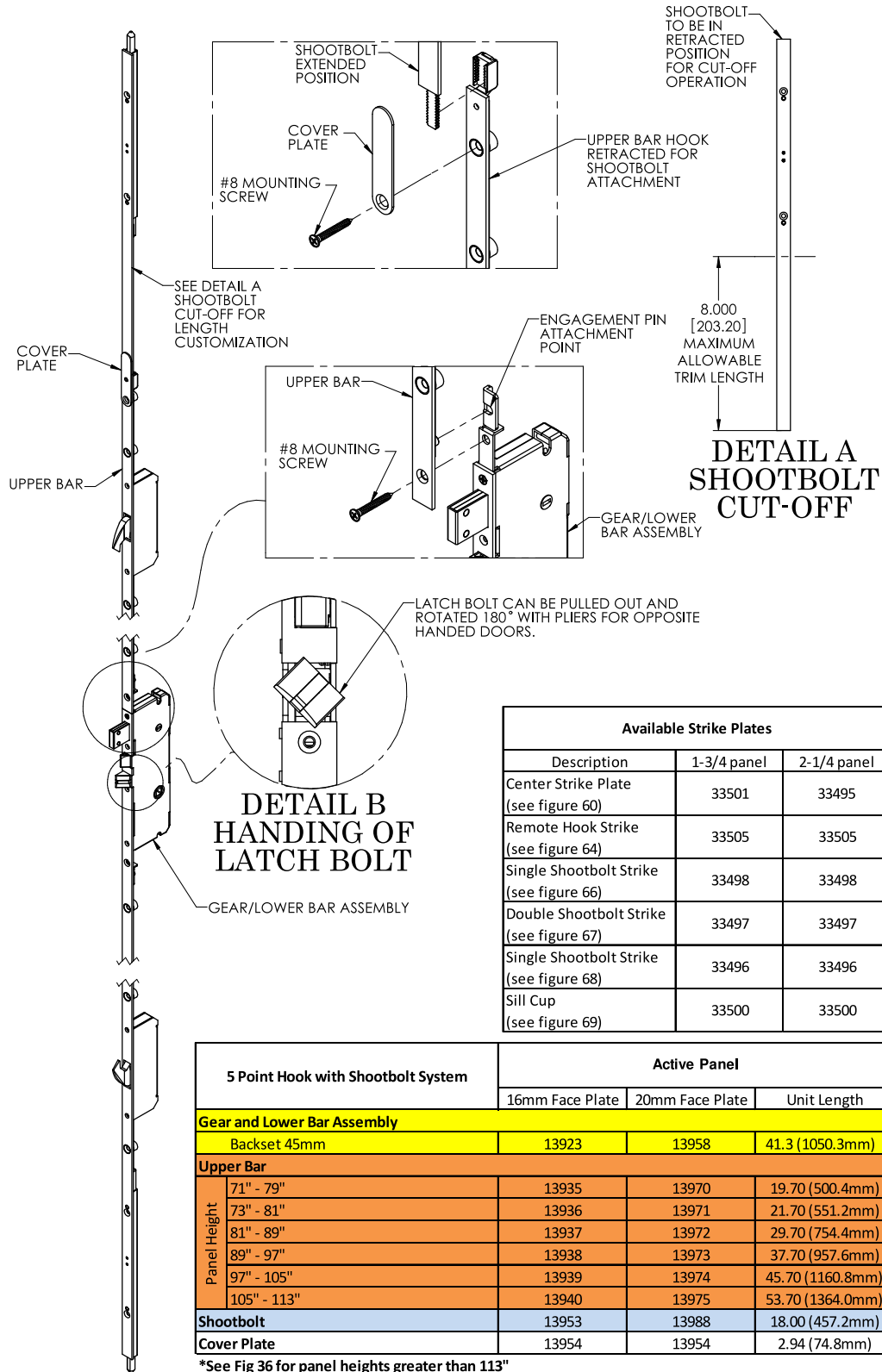
SENTRY™ MULTI-POINT HINGED PATIO DOOR SYSTEM

FIG. 34 SENTRY HINGED PATIO DOOR LOCKS
5 POINT HOOK AND SHOOTBOLT CONFIGURATION MATRIX



SENTRY™ MULTI-POINT HINGED PATIO DOOR SYSTEM

FIG. 35 SENTRY HINGED PATIO DOOR LOCKS
5 POINT HOOK AND SHOOTBOLT ASSEMBLY FOR PANELS 71" TO 113"



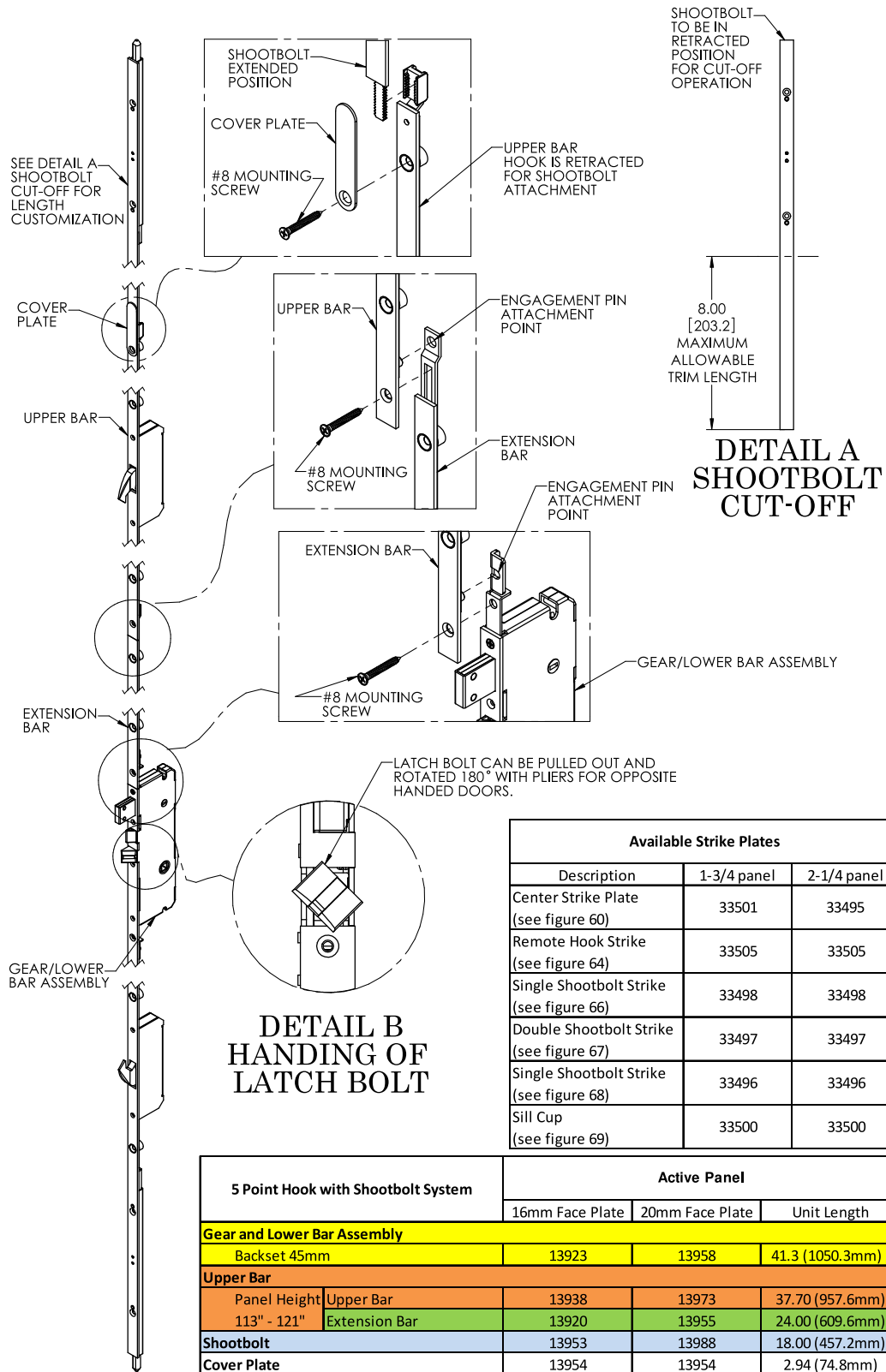
Available Strike Plates		
Description	1-3/4 panel	2-1/4 panel
Center Strike Plate (see figure 60)	33501	33495
Remote Hook Strike (see figure 64)	33505	33505
Single Shootbolt Strike (see figure 66)	33498	33498
Double Shootbolt Strike (see figure 67)	33497	33497
Single Shootbolt Strike (see figure 68)	33496	33496
Sill Cup (see figure 69)	33500	33500

5 Point Hook with Shootbolt System	Active Panel		
	16mm Face Plate	20mm Face Plate	Unit Length
Gear and Lower Bar Assembly			
Backset 45mm	13923	13958	41.3 (1050.3mm)
Upper Bar			
Panel Height			
71" - 79"	13935	13970	19.70 (500.4mm)
73" - 81"	13936	13971	21.70 (551.2mm)
81" - 89"	13937	13972	29.70 (754.4mm)
89" - 97"	13938	13973	37.70 (957.6mm)
97" - 105"	13939	13974	45.70 (1160.8mm)
105" - 113"	13940	13975	53.70 (1364.0mm)
Shootbolt	13953	13988	18.00 (457.2mm)
Cover Plate	13954	13954	2.94 (74.8mm)

*See Fig 36 for panel heights greater than 113"

SENTRY™ MULTI-POINT HINGED PATIO DOOR SYSTEM

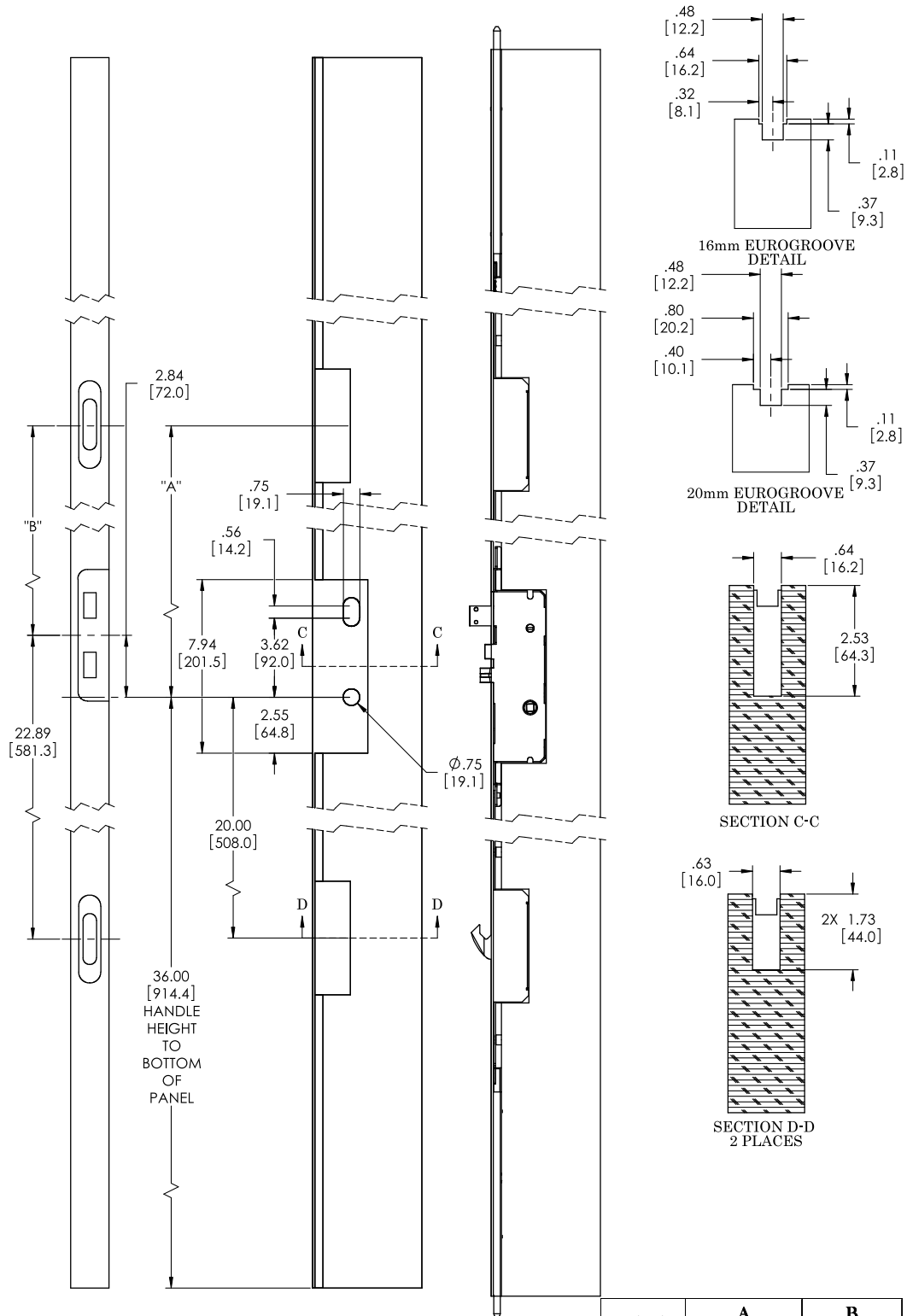
FIG. 36 SENTRY HINGED PATIO DOOR LOCKS
5 POINT HOOK AND SHOOTBOLT ASSEMBLY FOR PANELS 113" TO 121"



Available Strike Plates		
Description	1-3/4 panel	2-1/4 panel
Center Strike Plate (see figure 60)	33501	33495
Remote Hook Strike (see figure 64)	33505	33505
Single Shootbolt Strike (see figure 66)	33498	33498
Double Shootbolt Strike (see figure 67)	33497	33497
Single Shootbolt Strike (see figure 68)	33496	33496
Sill Cup (see figure 69)	33500	33500

5 Point Hook with Shootbolt System		Active Panel		
		16mm Face Plate	20mm Face Plate	Unit Length
Gear and Lower Bar Assembly				
Backset 45mm		13923	13958	41.3 (1050.3mm)
Upper Bar				
Panel Height 113" - 121"	Upper Bar	13938	13973	37.70 (957.6mm)
	Extension Bar	13920	13955	24.00 (609.6mm)
Shootbolt		13953	13988	18.00 (457.2mm)
Cover Plate		13954	13954	2.94 (74.8mm)

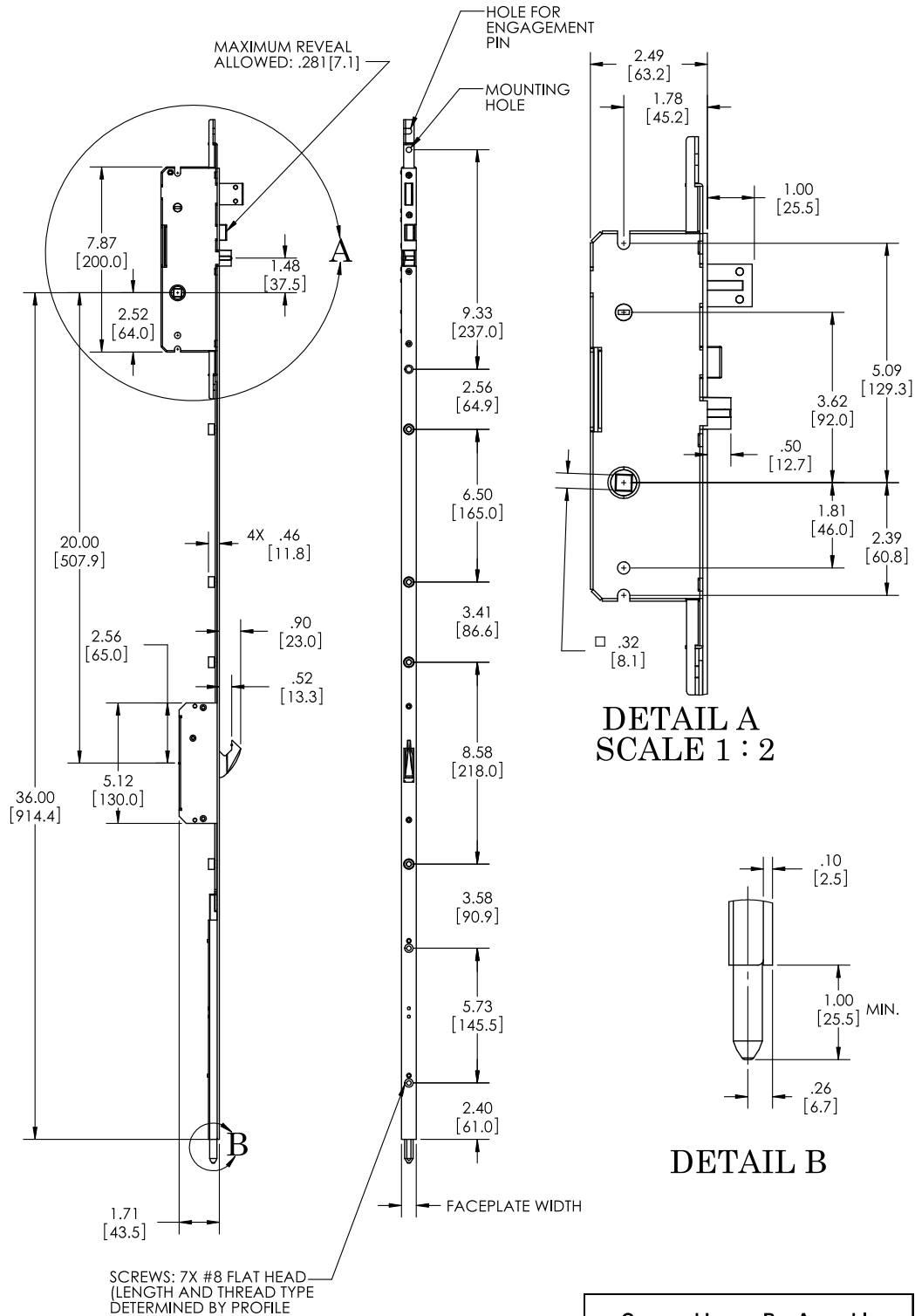
FIG. 37 SENTRY HINGED PATIO DOOR LOCKS
5 POINT HOOK AND SHOOTBOLT PANEL PREPARATION



Panel Height	A	B
	Upper Hook Rout Location	Upper Strike Location
71" - 81"	16.16 (410.4mm)	13.38 (339.9mm)
81" - 97"	24.16 (613.6mm)	21.38 (543.1mm)
97" - 113"	40.16 (1020.0mm)	37.38 (949.5mm)
113" - 121"	48.16 (1223.3mm)	45.38 (1152.7mm)

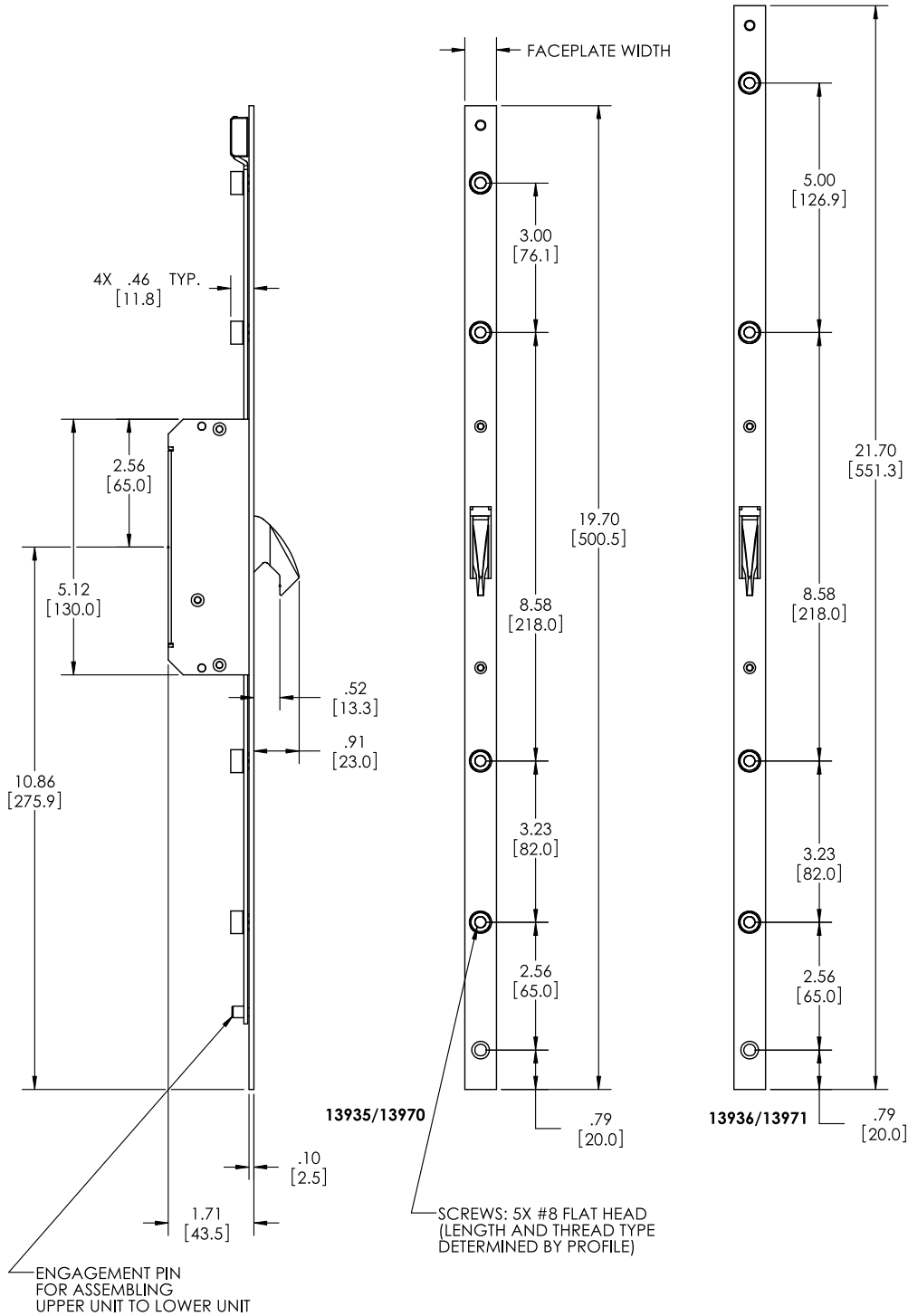
SENTRY™ MULTI-POINT HINGED PATIO DOOR SYSTEM

FIG. 38 SENTRY HINGED PATIO DOOR LOCKS
5 POINT HOOK AND SHOOTBOLT GEAR AND LOWER BAR ASSEMBLY



Gear and Lower Bar Assembly	
16mm Face Plate	20mm Face Plate
13923	13958

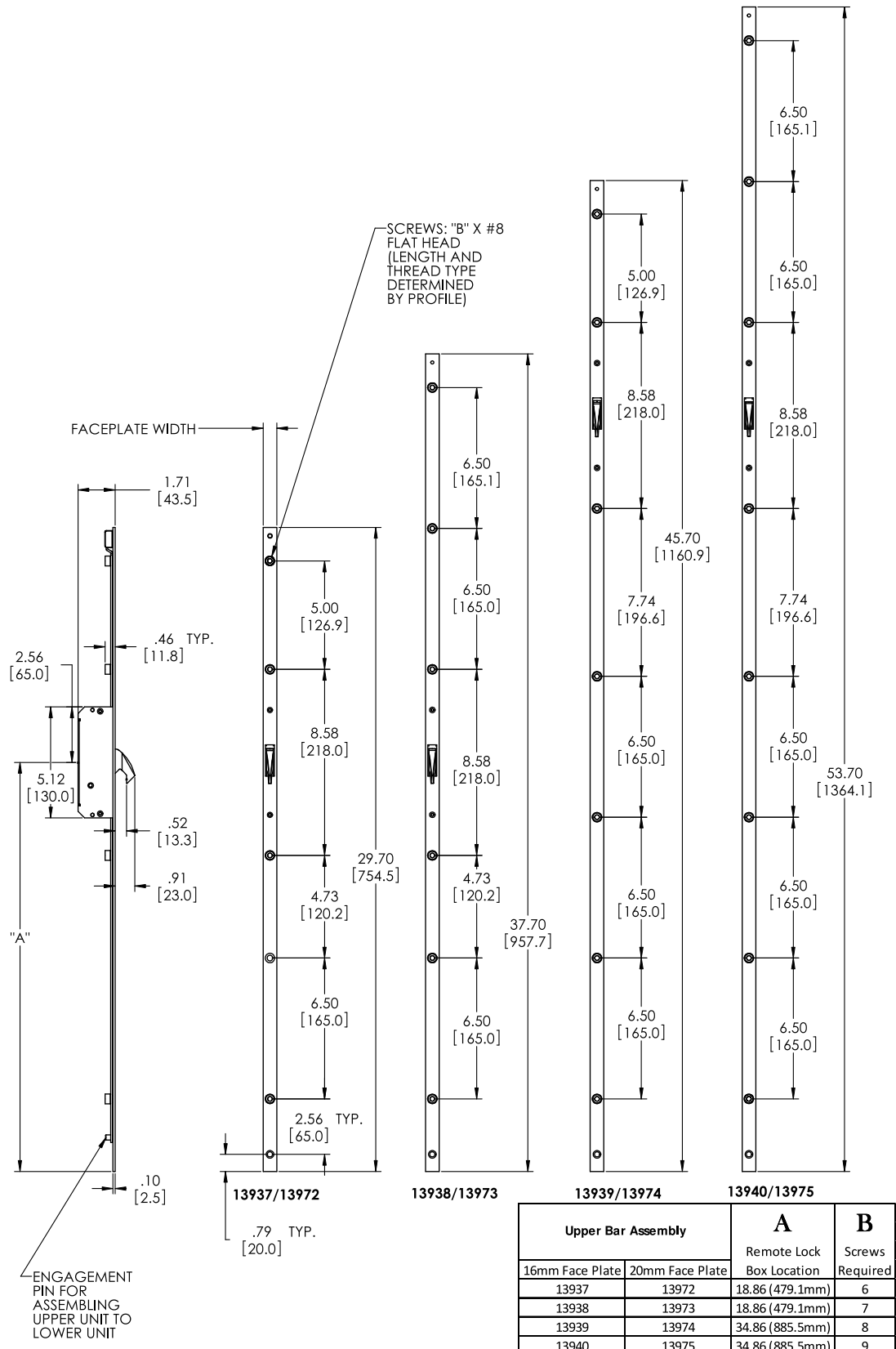
**FIG. 39 SENTRY HINGED PATIO DOOR LOCKS
5 POINT HOOK AND SHOOTBOLT UPPER BAR ASSEMBLY**



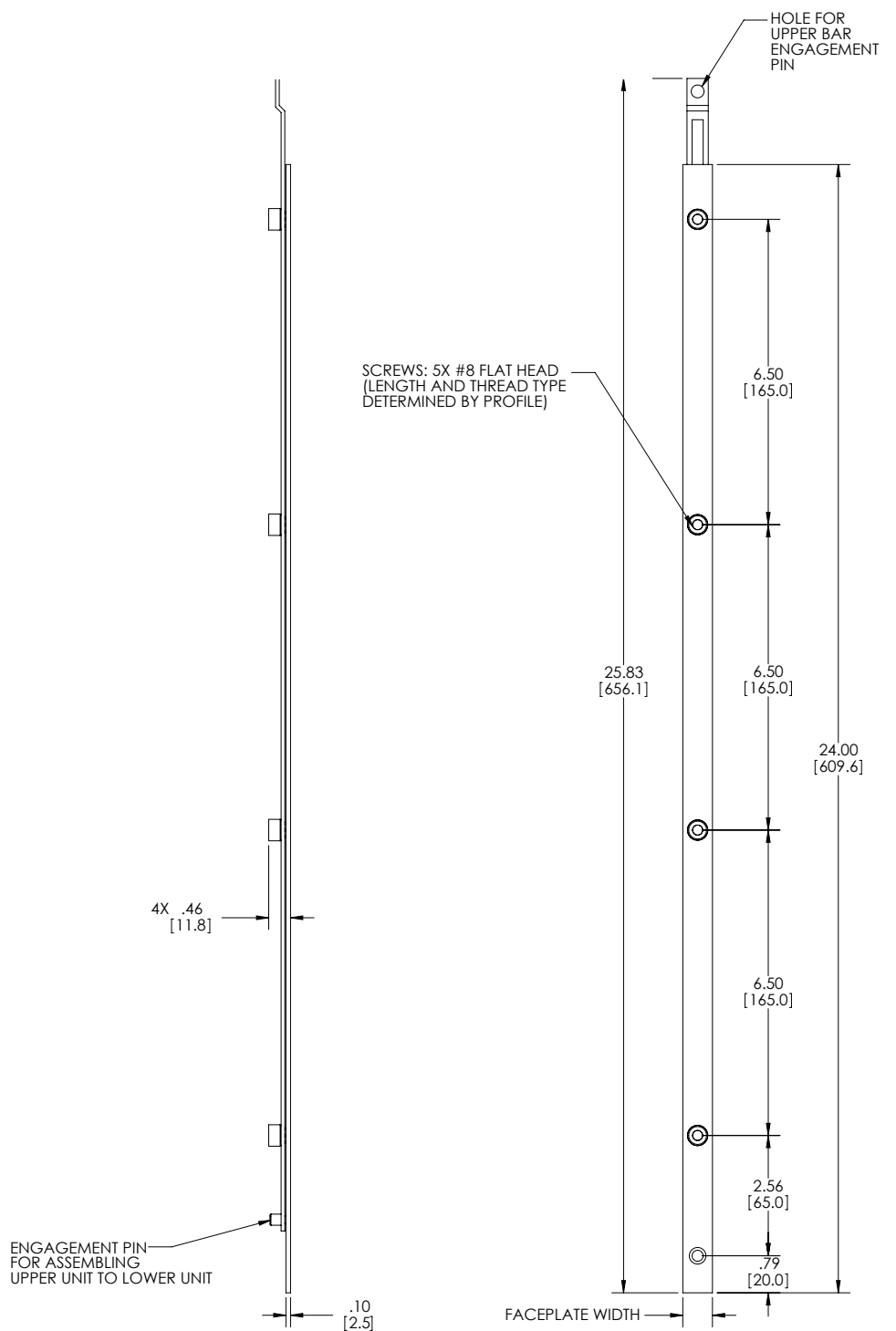
Upper Bar Assembly	
16mm Face Plate	20mm Face Plate
13935	13970
13936	13971

SENTRY™ MULTI-POINT HINGED PATIO DOOR SYSTEM

FIG. 40 SENTRY HINGED PATIO DOOR LOCKS
5 POINT HOOK AND SHOOTBOLT UPPER BAR ASSEMBLY



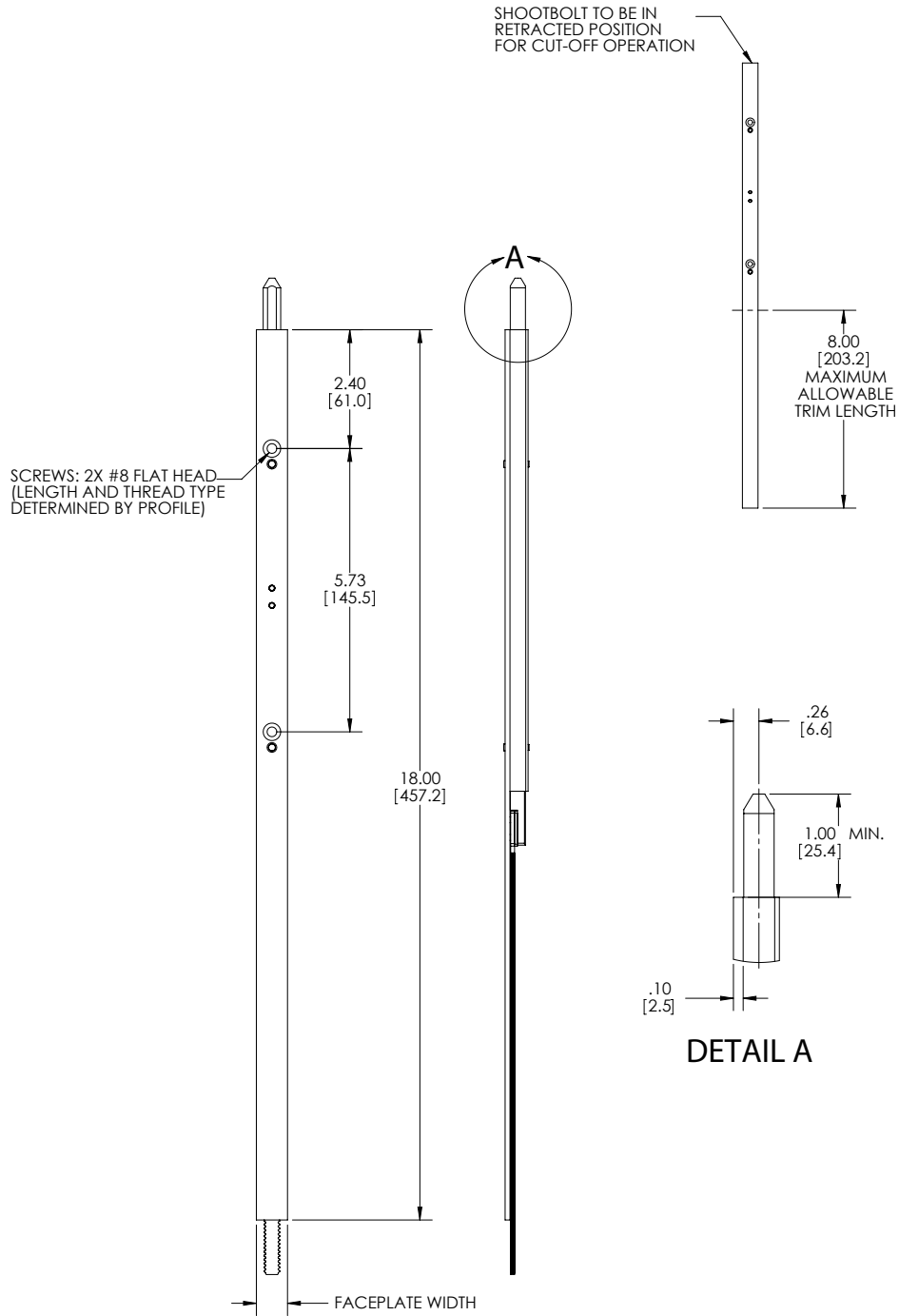
**FIG. 41 SENTRY HINGED PATIO DOOR LOCKS
EXTENSION BAR ASSEMBLY**



Extension Bar	
16mm Face Plate	20mm Face Plate
13920	13955

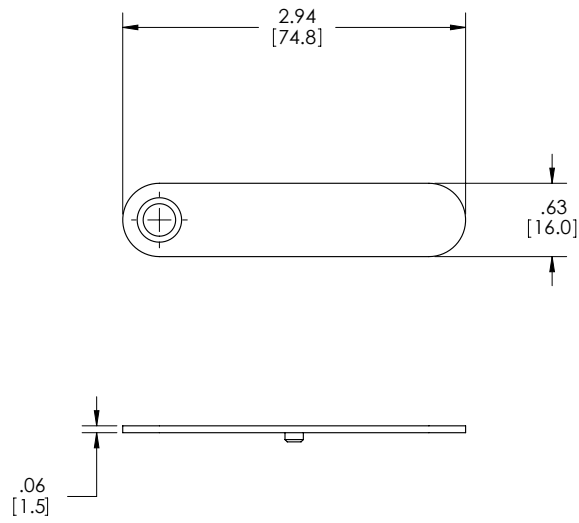
SENTRY™ MULTI-POINT HINGED PATIO DOOR SYSTEM

FIG. 42 SENTRY HINGED PATIO DOOR LOCKS
SHOOTBOLT ASSEMBLY



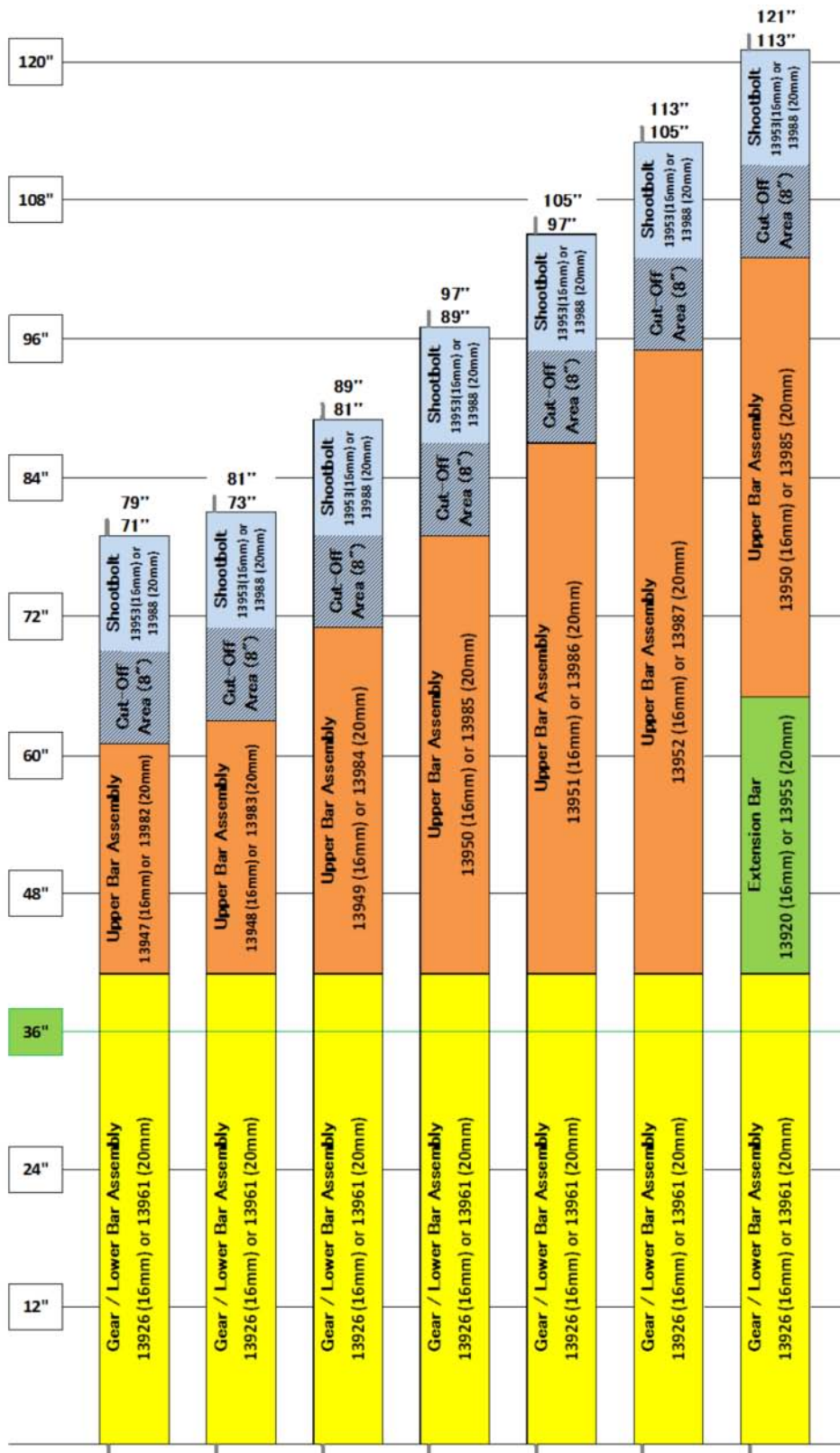
Shootbolt	
16mm Face Plate	20mm Face Plate
13953	13988

FIG. 43 SENTRY HINGED PATIO DOOR LOCKS
13954 COVER PLATE

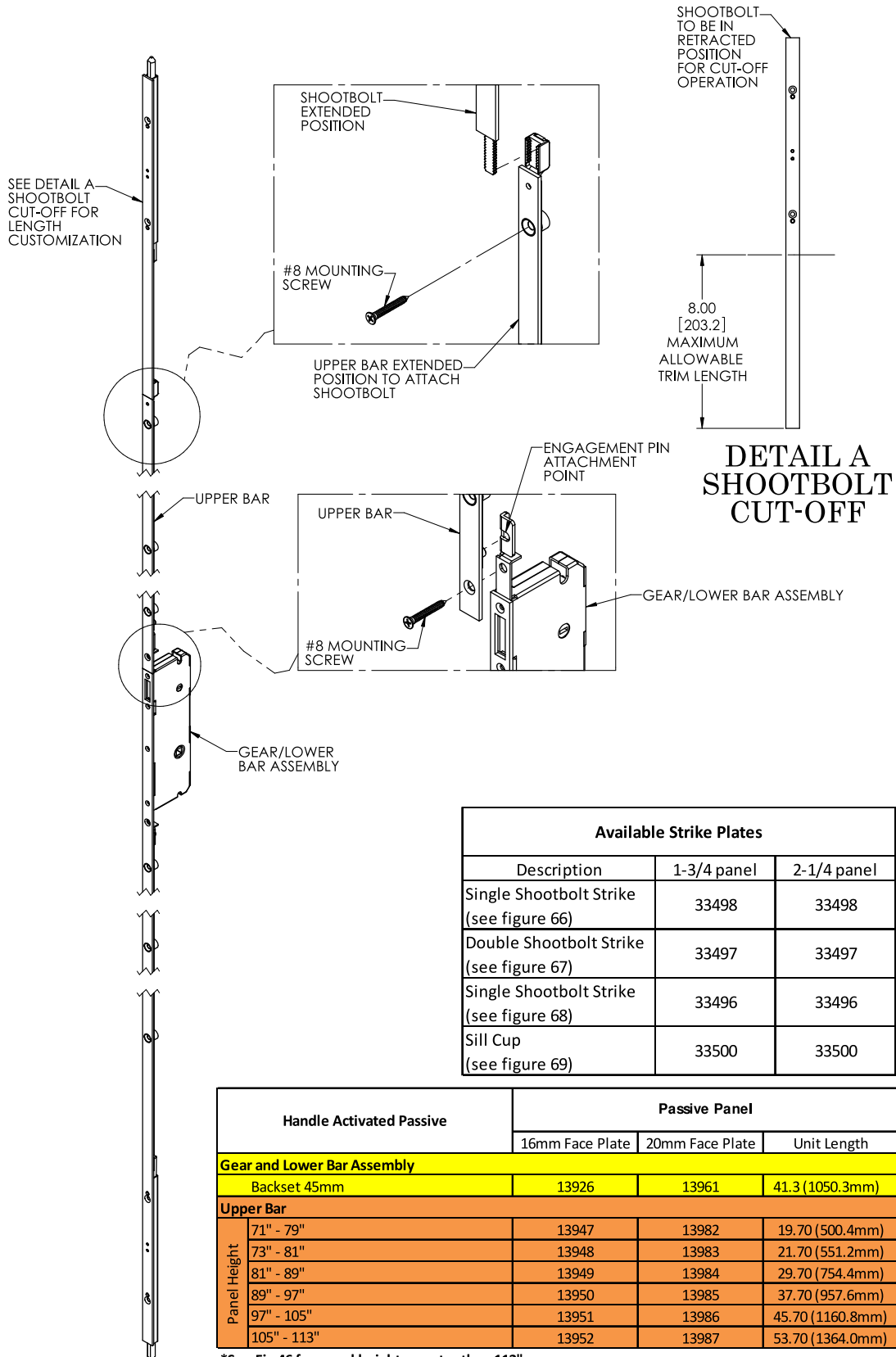


SENTRY™ MULTI-POINT HINGED PATIO DOOR SYSTEM

FIG. 44 SENTRY HINGED PATIO DOOR LOCKS
HANDLE ACTIVATED PASSIVE CONFIGURATION MATRIX



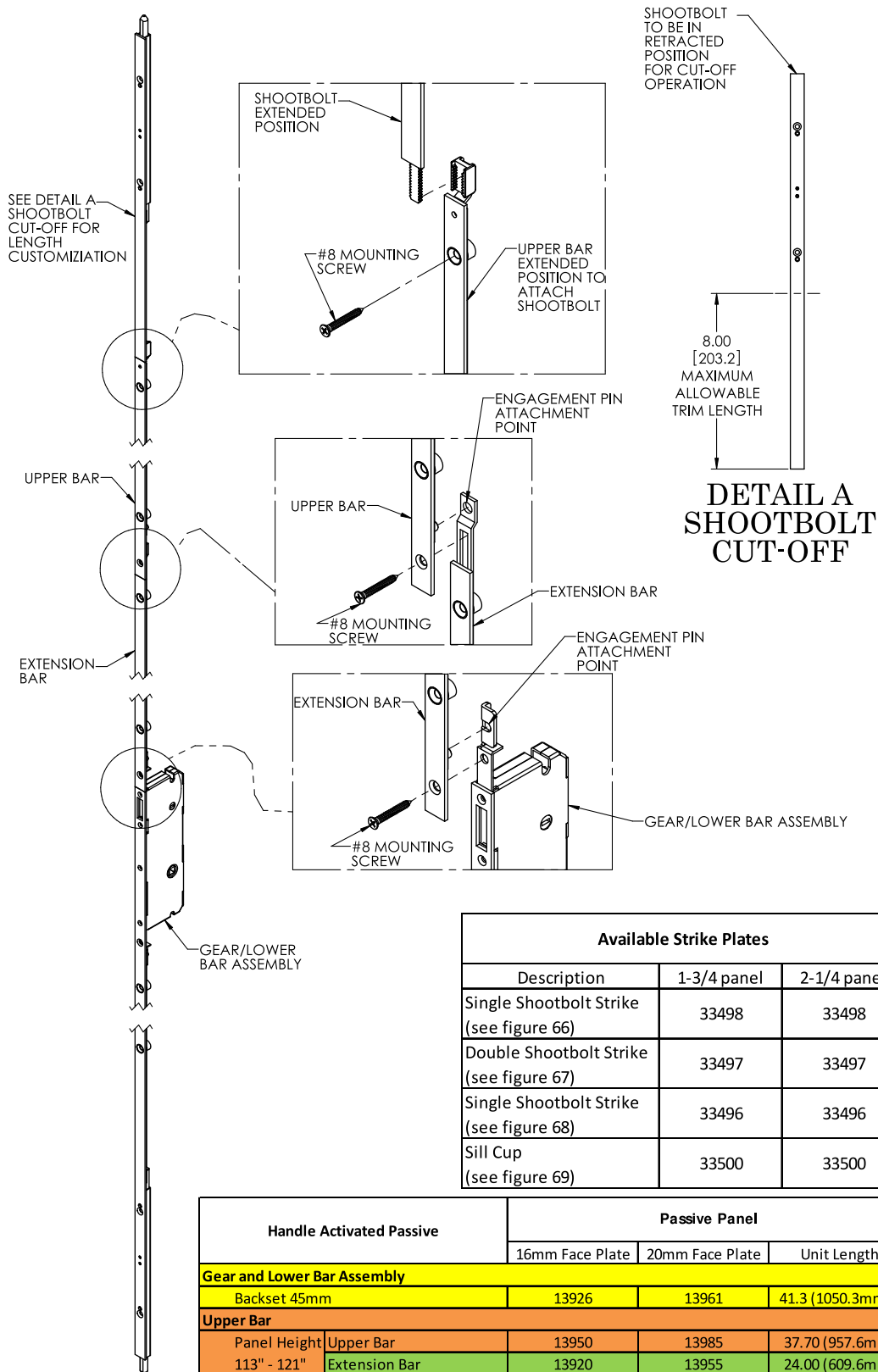
**FIG. 45 SENTRY HINGED PATIO DOOR LOCKS
HANDLE ACTIVATED PASSIVE ASSEMBLY FOR PANELS 71" TO 113"**



*See Fig 46 for panel heights greater than 113"

SENTRY™ MULTI-POINT HINGED PATIO DOOR SYSTEM

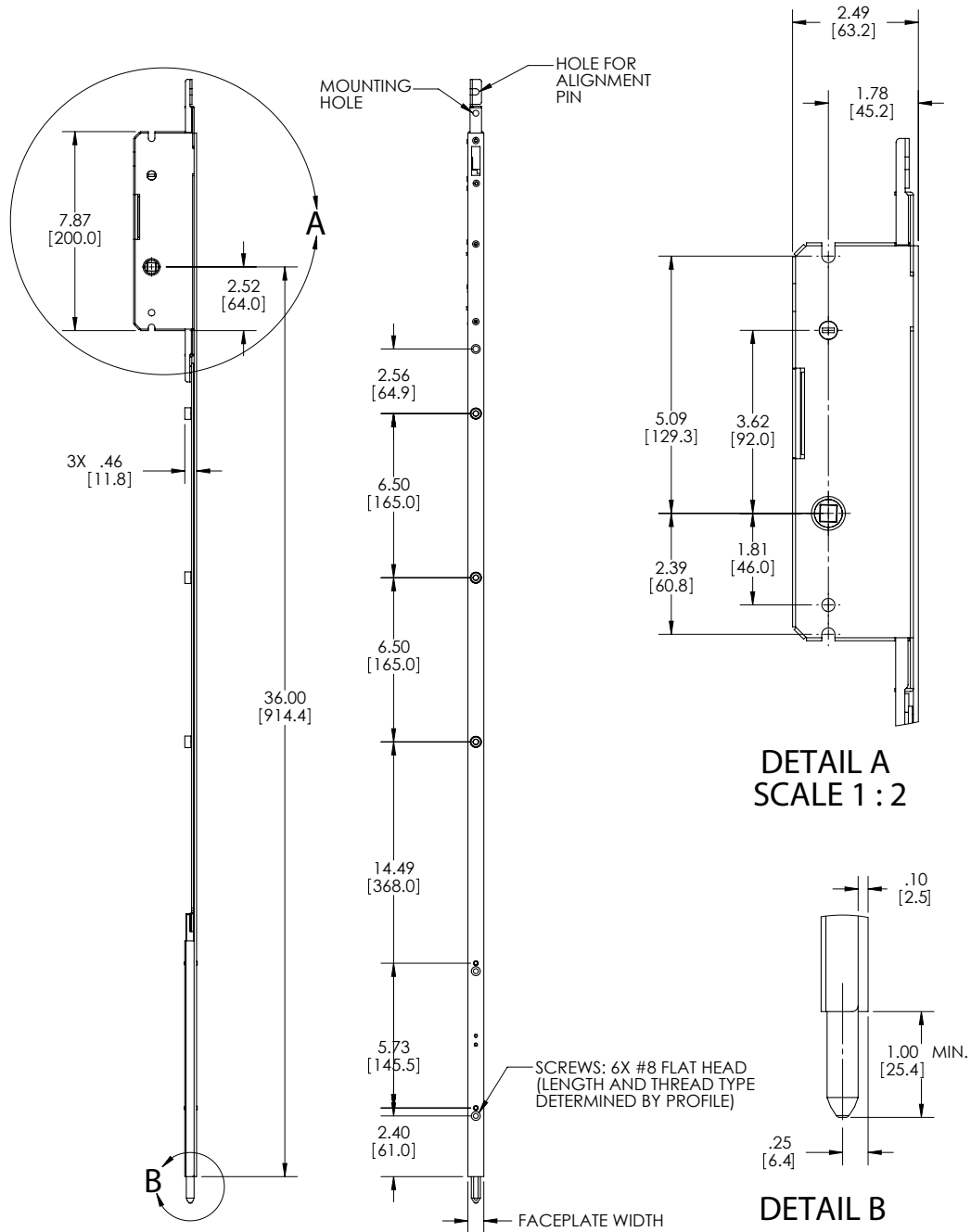
FIG. 46 SENTRY HINGED PATIO DOOR LOCKS
HANDLE ACTIVATED PASSIVE ASSEMBLY FOR PANELS 113" TO 121"



Available Strike Plates		
Description	1-3/4 panel	2-1/4 panel
Single Shootbolt Strike (see figure 66)	33498	33498
Double Shootbolt Strike (see figure 67)	33497	33497
Single Shootbolt Strike (see figure 68)	33496	33496
Sill Cup (see figure 69)	33500	33500

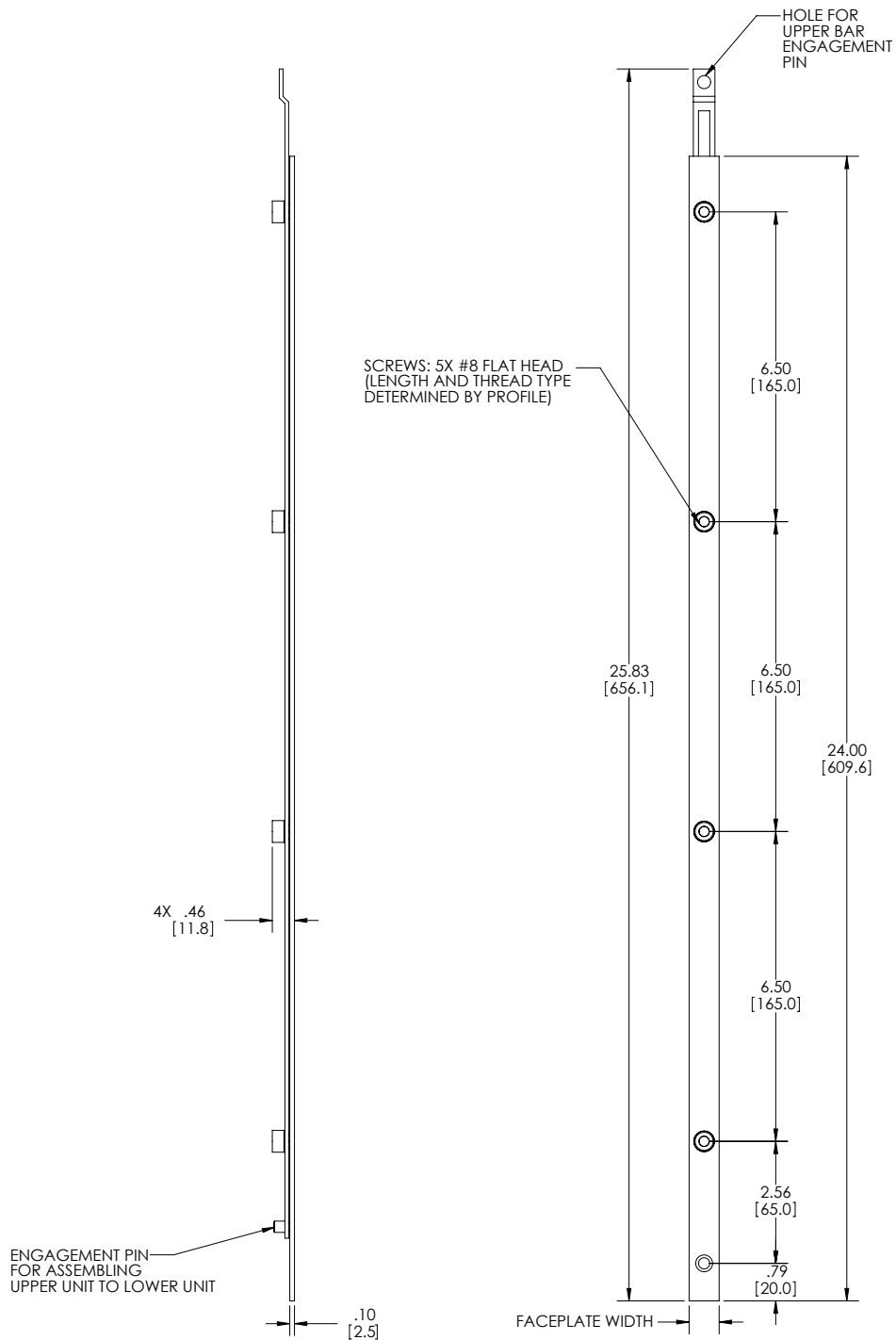
Handle Activated Passive	Passive Panel			
	16mm Face Plate	20mm Face Plate	Unit Length	
Gear and Lower Bar Assembly				
Backset 45mm	13926	13961	41.3 (1050.3mm)	
Upper Bar				
Panel Height	Upper Bar	13950	13985	37.70 (957.6mm)
113" - 121"	Extension Bar	13920	13955	24.00 (609.6mm)

**FIG. 47 SENTRY HINGED PATIO DOOR LOCKS
HANDLE ACTIVATED PASSIVE GEAR AND LOWER BAR ASSEMBLY**



Gear and Lower Bar Assembly	
16mm Face Plate	20mm Face Plate
13926	13982

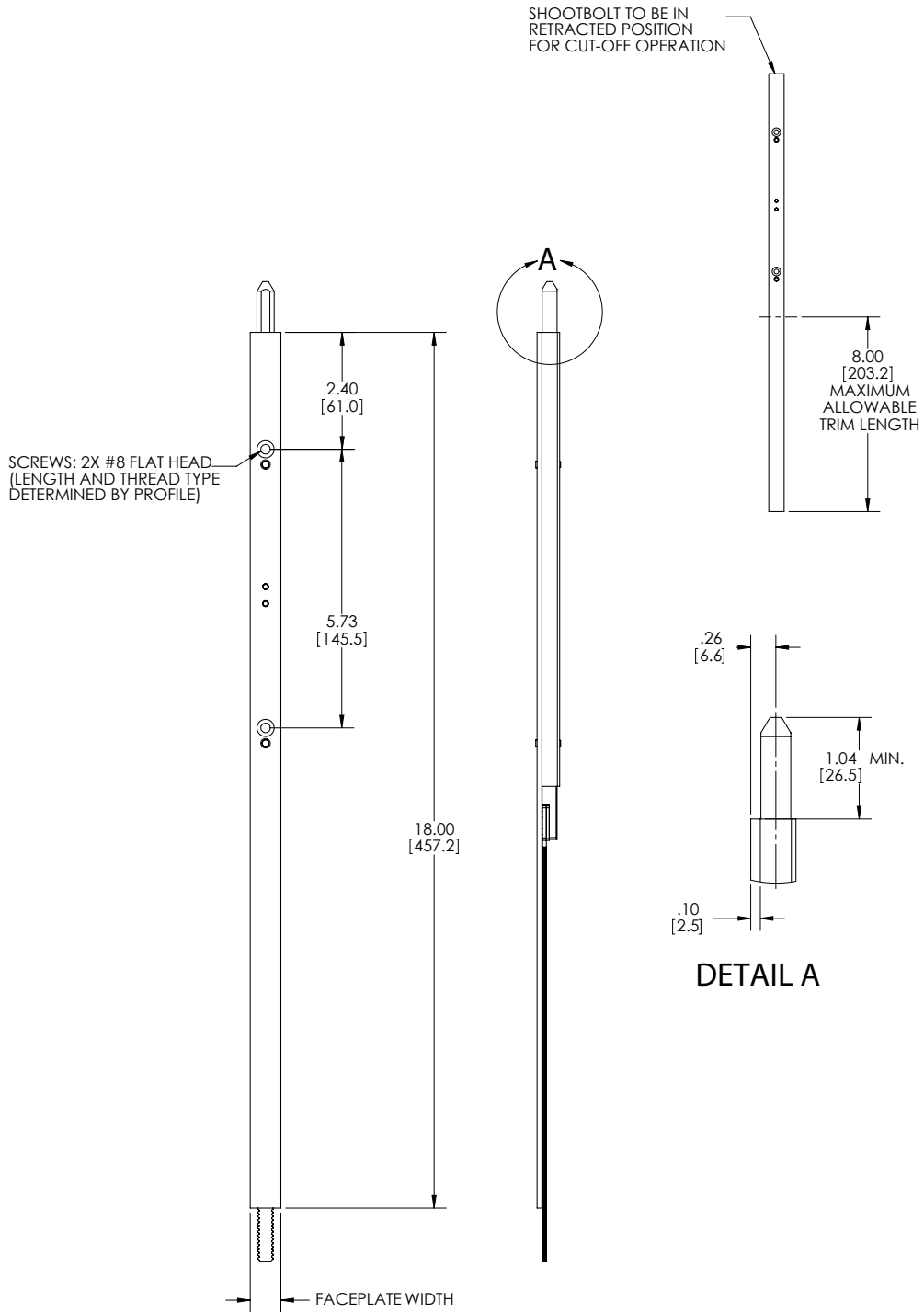
**FIG. 49 SENTRY HINGED PATIO DOOR LOCKS
EXTENSION BAR ASSEMBLY**



Extension Bar	
16mm Face Plate	20mm Face Plate
13920	13955

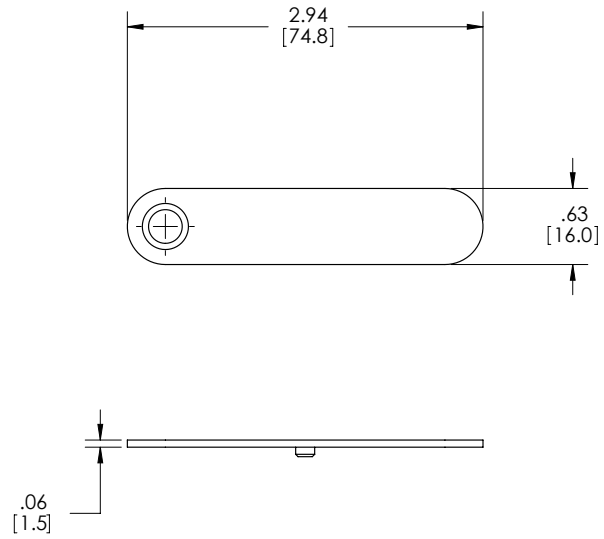
SENTRY™ MULTI-POINT HINGED PATIO DOOR SYSTEM

FIG. 50 SENTRY HINGED PATIO DOOR LOCKS
SHOOTBOLT ASSEMBLY



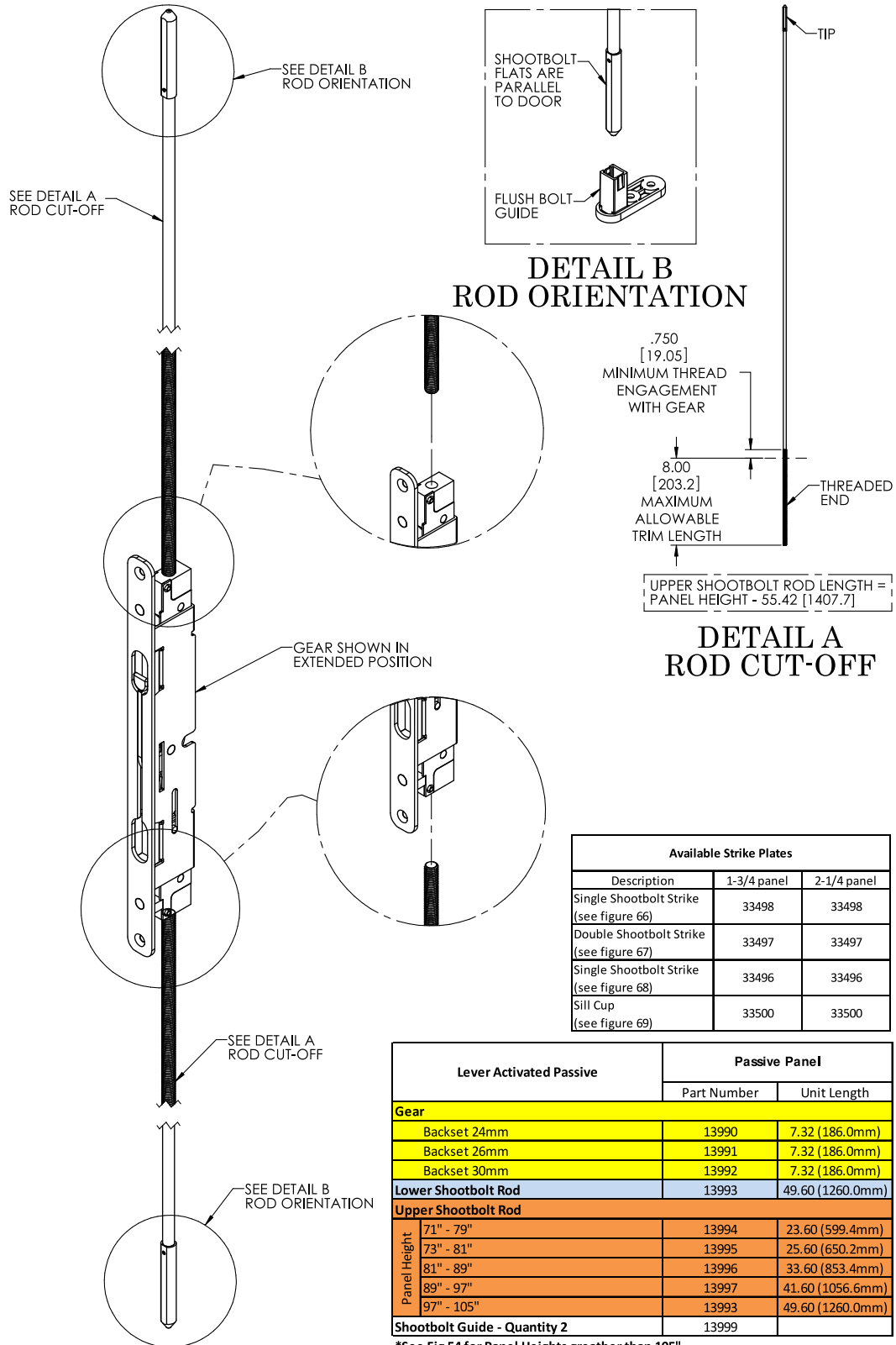
Shootbolt	
16mm Face Plate	20mm Face Plate
13953	13988

FIG. 51 SENTRY HINGED PATIO DOOR LOCKS
13954 COVER PLATE



SENTRY™ MULTI-POINT HINGED PATIO DOOR SYSTEM

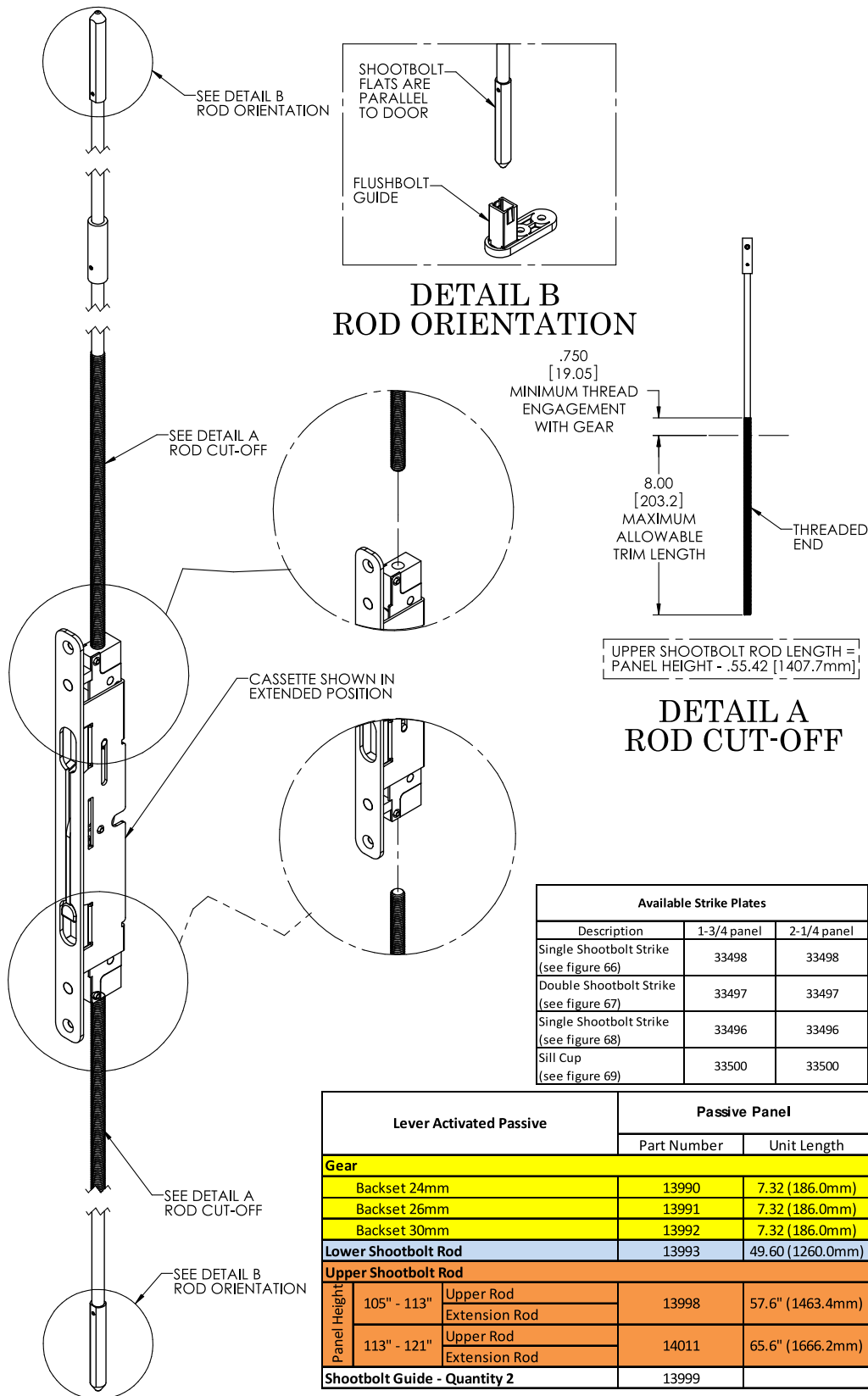
FIG. 53 SENTRY HINGED PATIO DOOR LOCKS
LEVER ACTIVATED PASSIVE ASSEMBLY WITH ROD LENGTHS 23.6" TO 49.6"



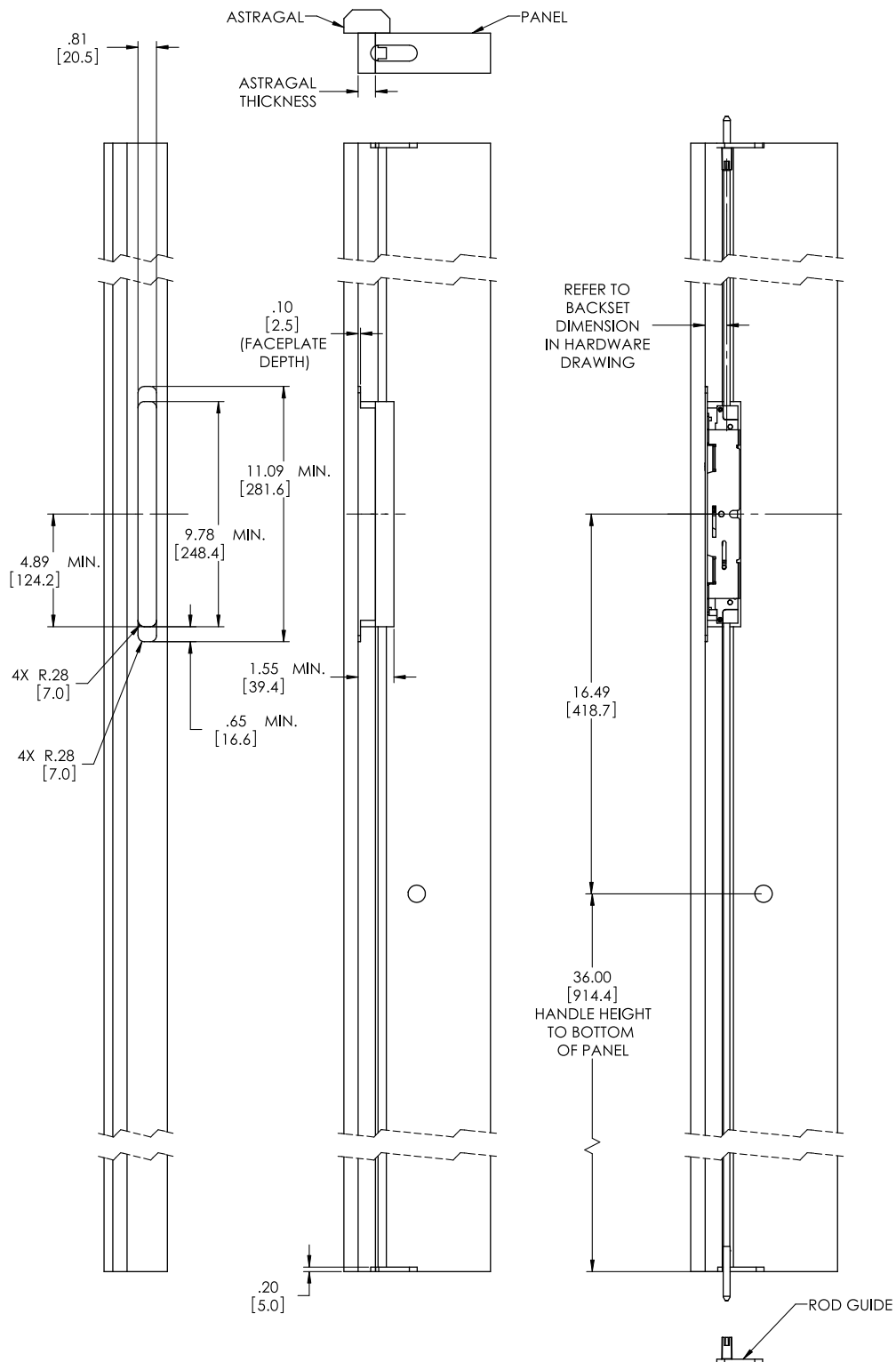
*See Fig 54 for Panel Heights greater than 105"

SENTRY™ MULTI-POINT HINGED PATIO DOOR SYSTEM

FIG. 54 SENTRY HINGED PATIO DOOR LOCKS
LEVER ACTIVATED PASSIVE ASSEMBLY WITH ROD LENGTHS 57.6" TO 65.6"

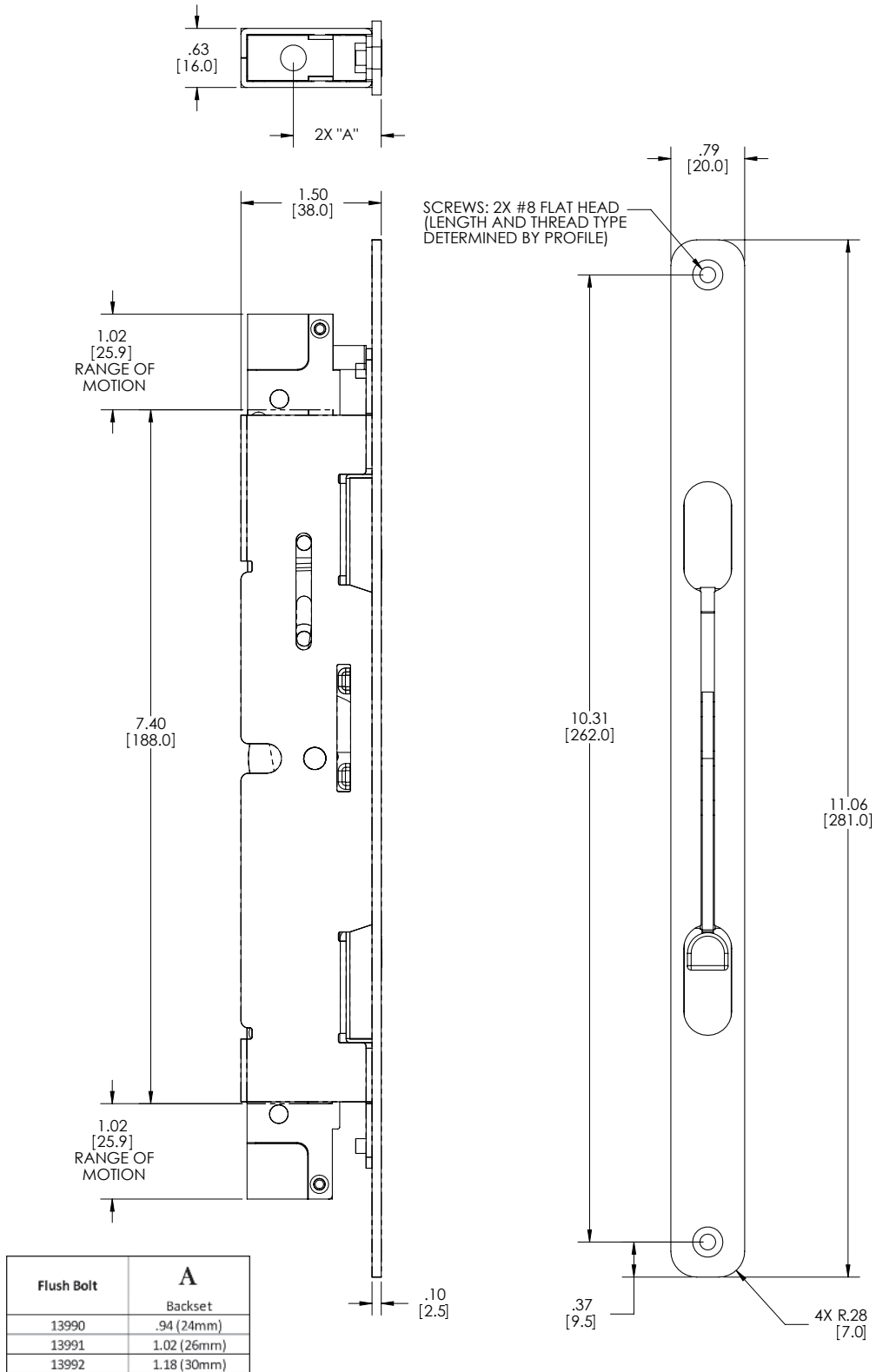


**FIG. 55 SENTRY HINGED PATIO DOOR LOCKS
LEVER ACTIVATED PASSIVE PANEL PREPARATION**

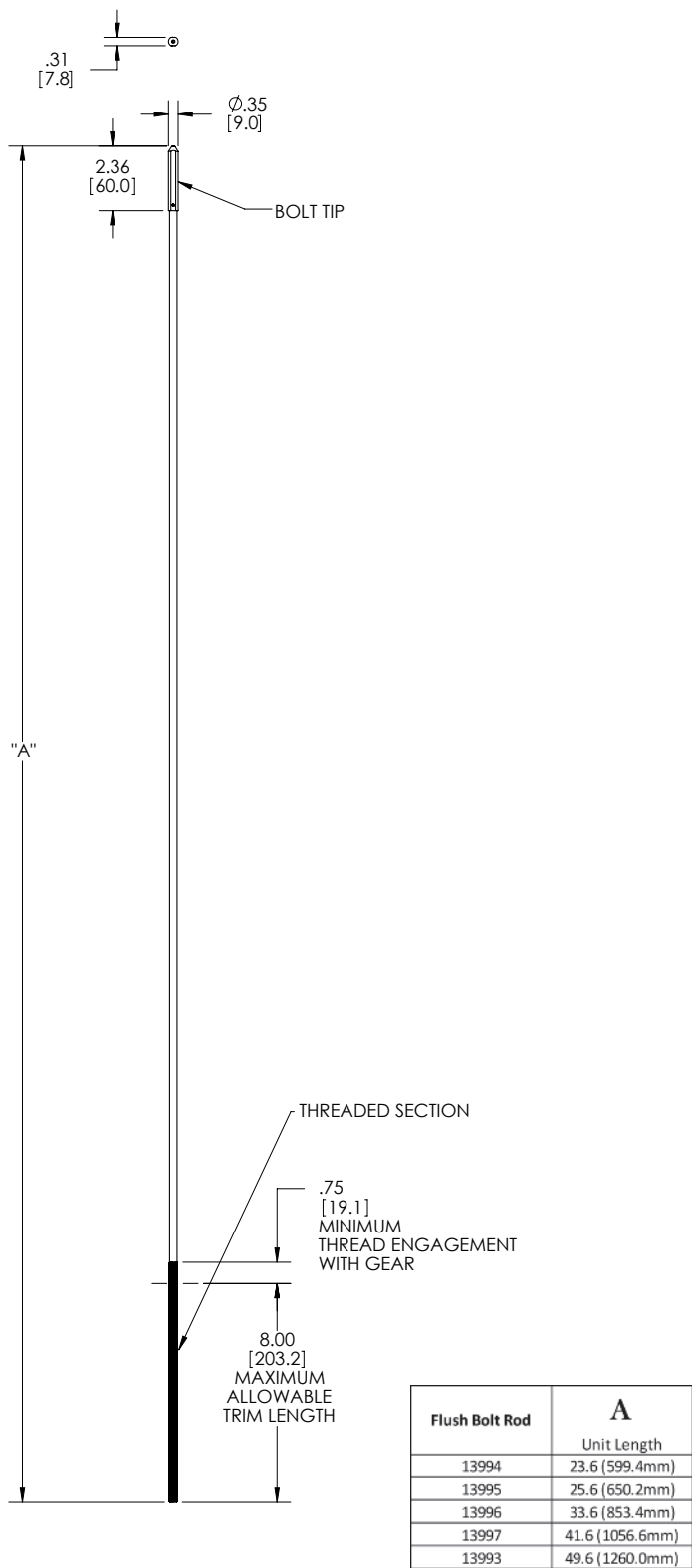


SENTRY™ MULTI-POINT HINGED PATIO DOOR SYSTEM

FIG. 56 SENTRY HINGED PATIO DOOR LOCKS
LEVER ACTIVATED PASSIVE GEAR



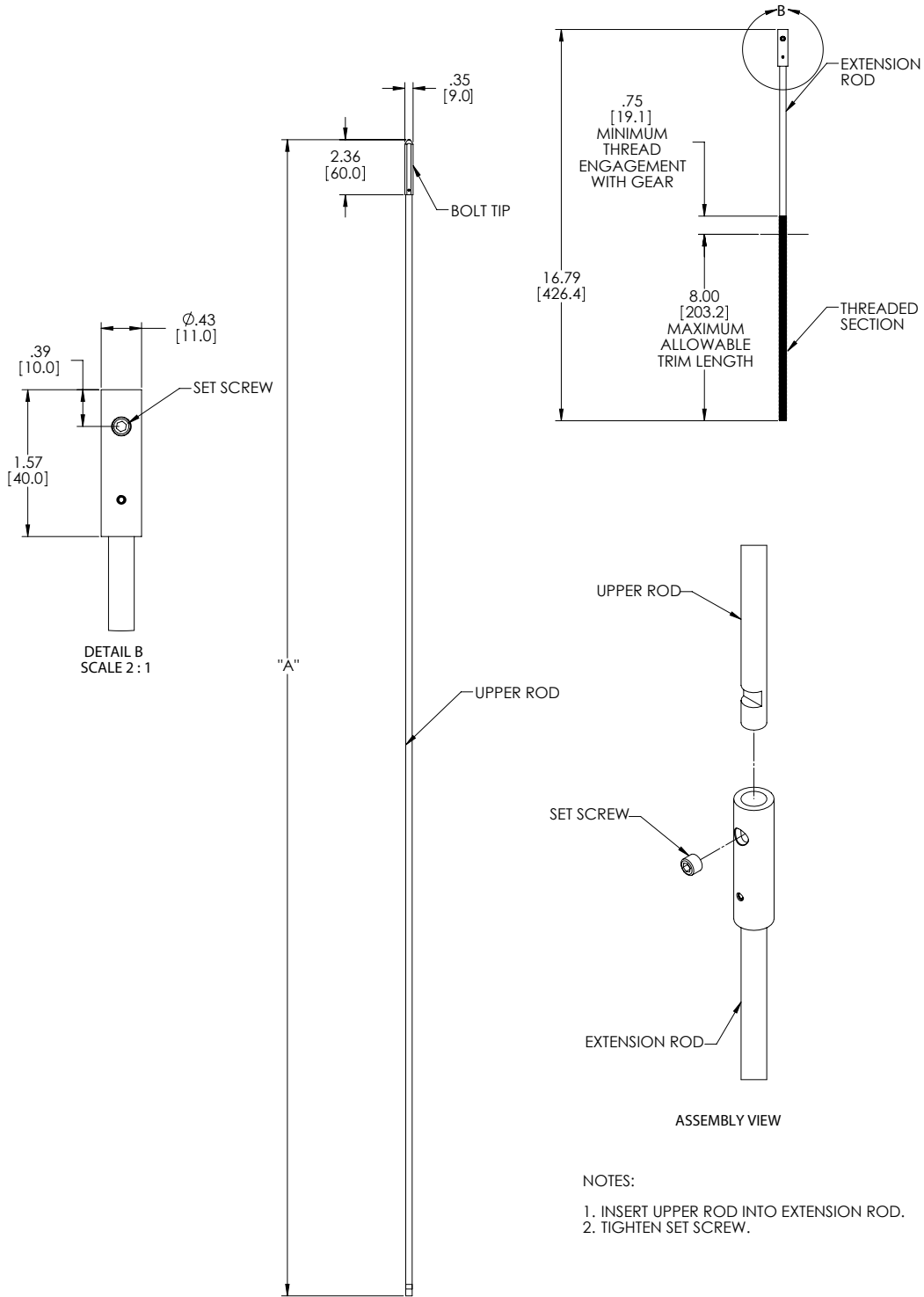
**FIG. 57 SENTRY HINGED PATIO DOOR LOCKS
SHOOTBOLT ROD ASSEMBLY WITH ROD LENGTHS 23.6" TO 49.6"**



*See Fig 59 for rod lengths greater than 49.6"

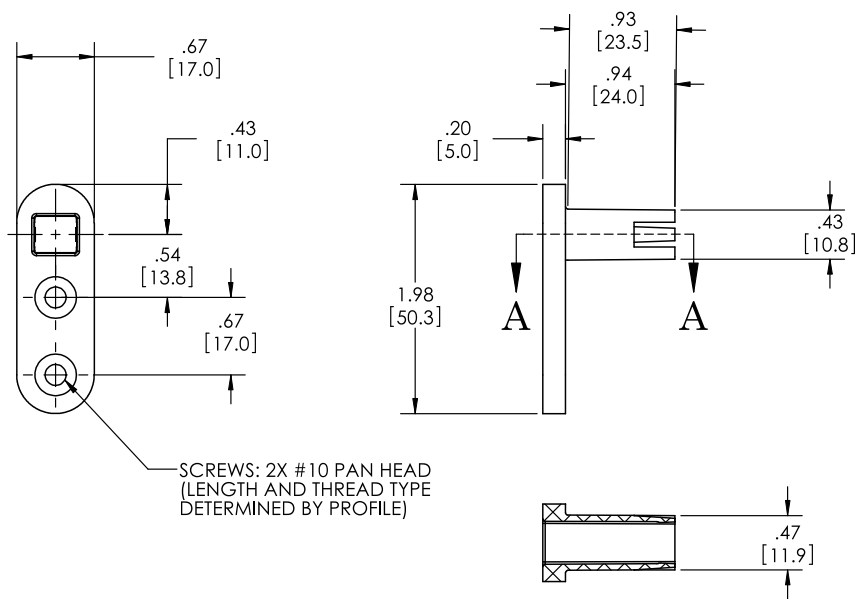
SENTRY™ MULTI-POINT HINGED PATIO DOOR SYSTEM

FIG. 58 SENTRY HINGED PATIO DOOR LOCKS
SHOOTBOLT ROD WITH EXTENSION ASSEMBLY WITH ROD LENGTHS 41.6" TO 49.6"

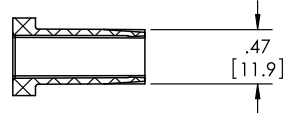


Flush Bolt Rod and Extension	A Unit Length
13998	41.6 (997.0mm)
14011	49.6 (1260.0mm)

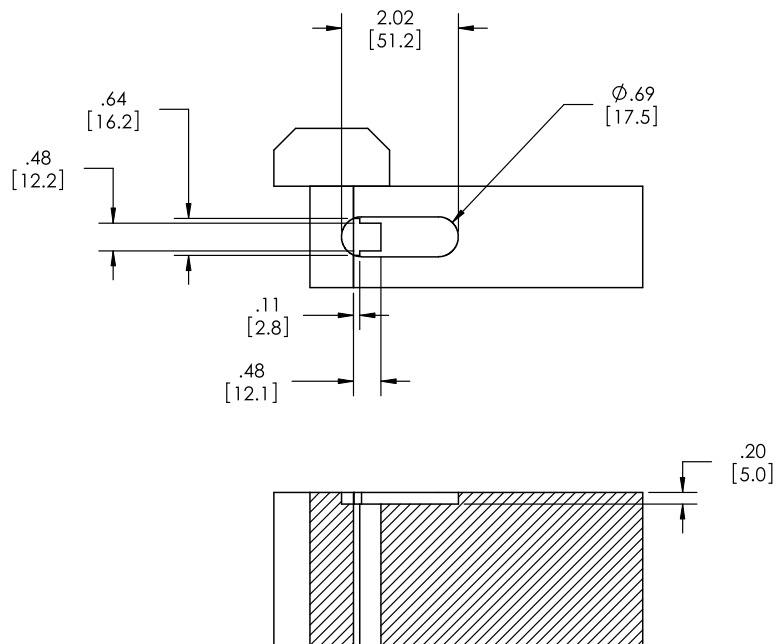
**FIG. 59 SENTRY HINGED PATIO DOOR LOCKS
13999 ROD GUIDE**



SCREWS: 2X #10 PAN HEAD
(LENGTH AND THREAD TYPE
DETERMINED BY PROFILE)

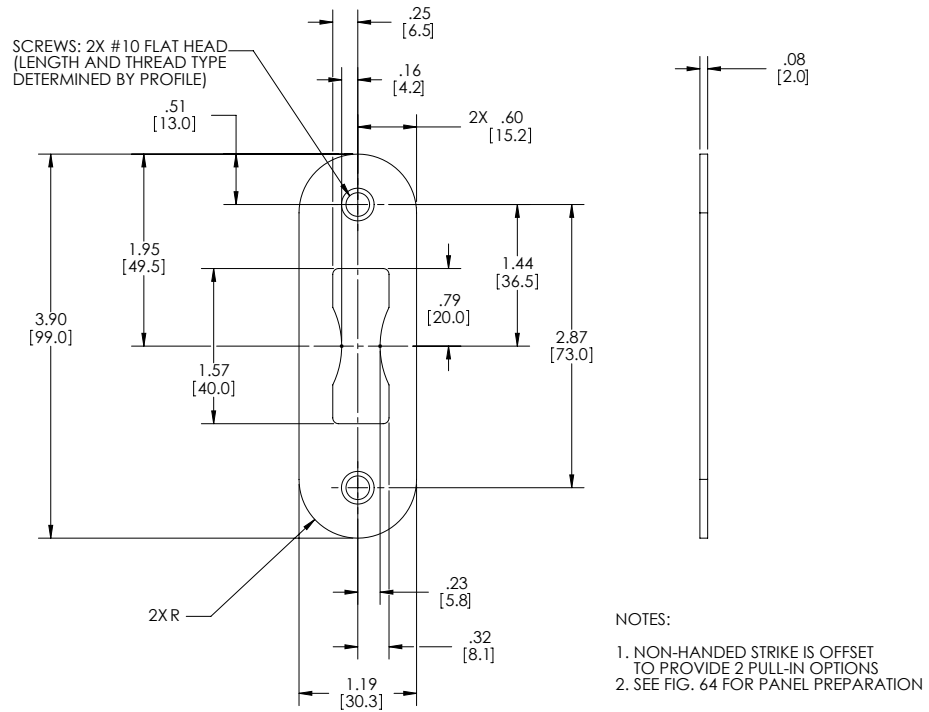


**SECTION A-A
SCALE 1 : 1**

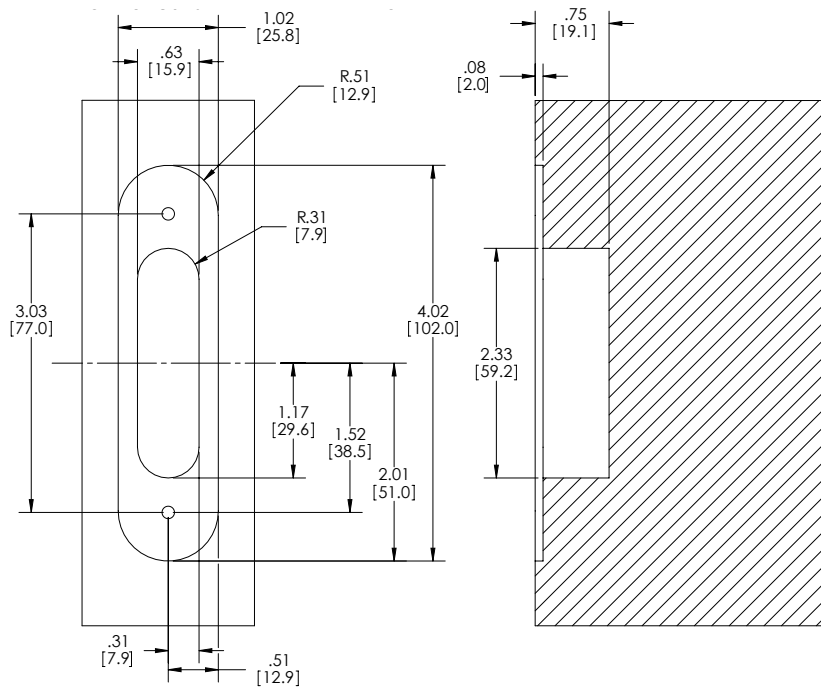


ROD GUIDE CUT-OUT PREPARATION

**FIG. 62 SENTRY HINGED PATIO DOOR LOCKS
33499 REMOTE TONGUE STRIKE**



**FIG. 63 SENTRY HINGED PATIO DOOR LOCKS
REMOTE TONGUE STRIKE PANEL PREPARATION**



SENTRY™ MULTI-POINT HINGED PATIO DOOR SYSTEM

FIG. 64 SENTRY HINGED PATIO DOOR LOCKS
33505 HOOK REMOTE STRIKE

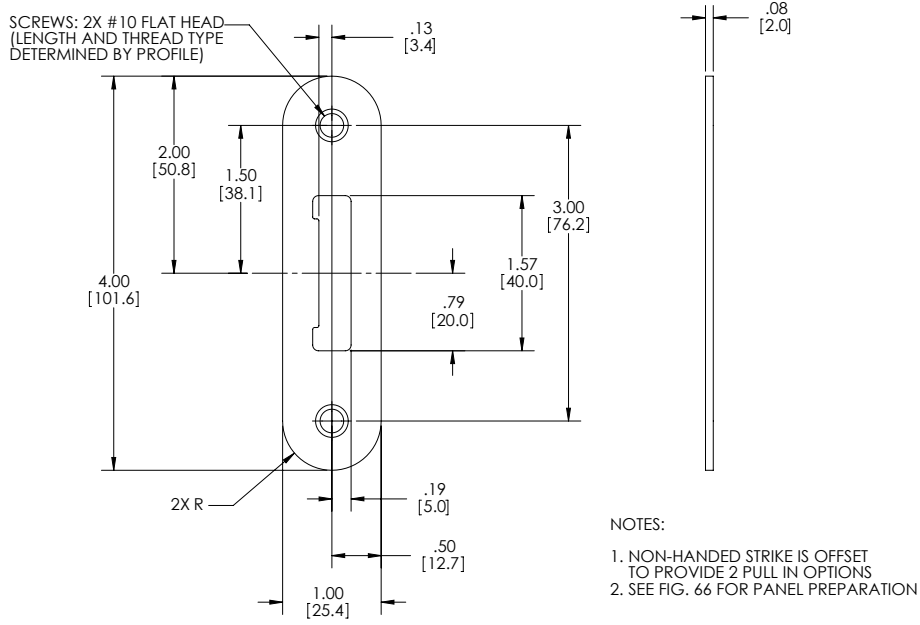
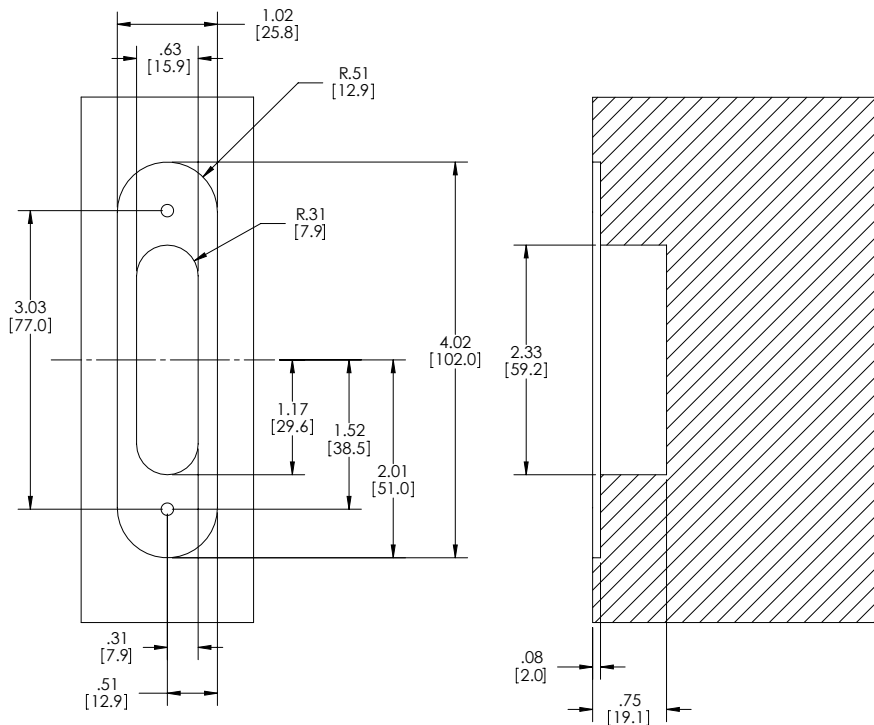


FIG. 65 SENTRY HINGED PATIO DOOR LOCKS
REMOTE HOOK PANEL PREPARATION



SENTRY™ MULTI-POINT HINGED PATIO DOOR SYSTEM

FIG. 68 SENTRY HINGED PATIO DOOR LOCKS
33496 SINGLE SHOOTBOLT STRIKE

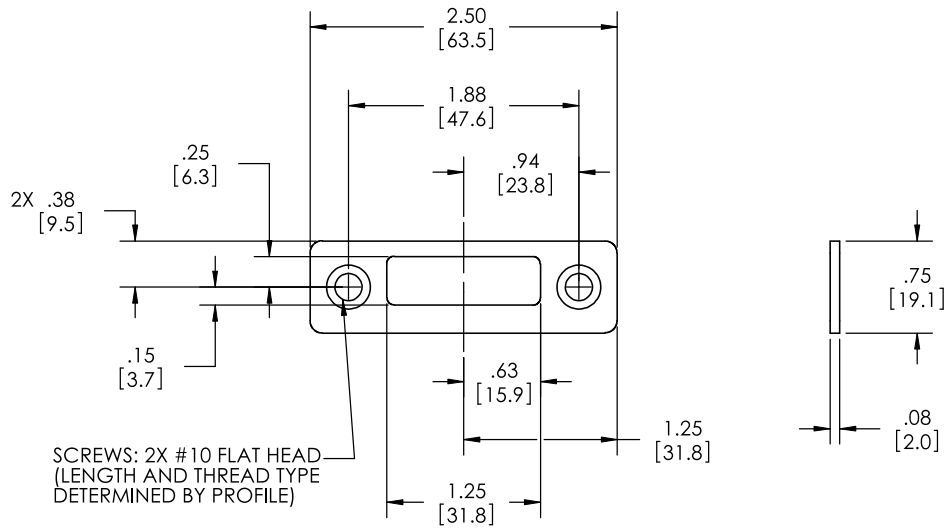
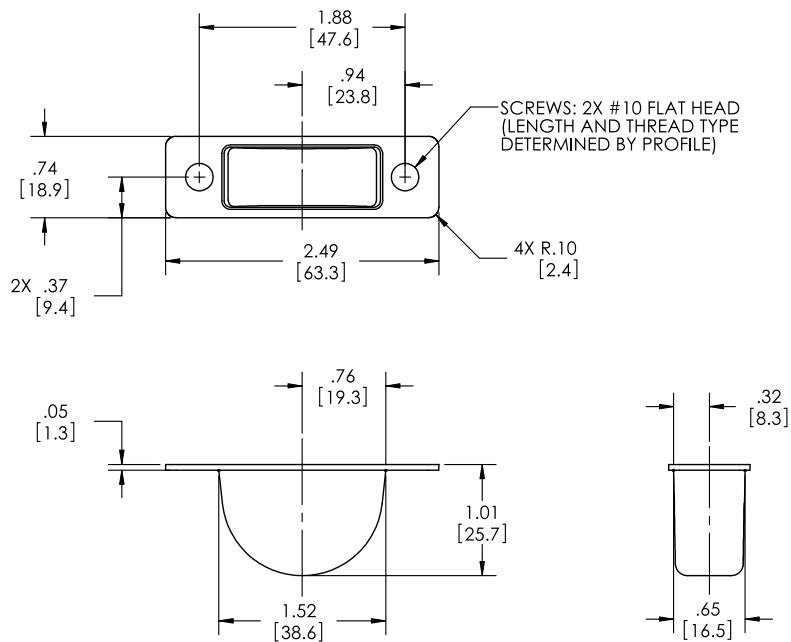


FIG. 69 SENTRY HINGED PATIO DOOR LOCKS
33559 SHOOTBOLT STRIKE DUST CUP



FOR USE WITH 33496 STRIKE



Truth Hardware presents the new Sentry™ Multi-Point Hinged Patio Door System – a North American designed system where distinctive styling meets intuitive function. Truth’s innovative new hardware system is packed with features and now gives you the ability to offer a complete line of Truth Hardware for windows, sliding doors and now hinged patio doors.

INTUITIVE

- Designed specifically for the North American market with a 90 degree thumbturn located above the handle, this system provides instant confirmation of locked or unlocked status and allows for easier access to the key cylinder.

EYE-CATCHING

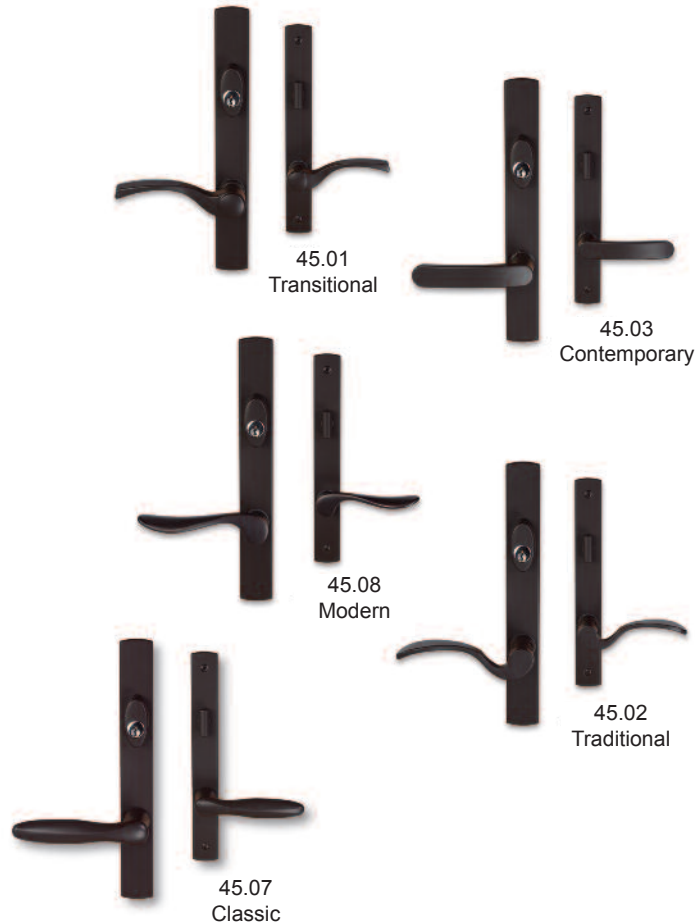
- From traditional to contemporary, Truth offers multiple handle designs to help customize your look.
- Available with painted finishes over zinc and decorative finishes over brass, including PVD, these handle sets are available in matching finishes to the rest of the Sentry series of hinged patio door hardware.

VERSATILE & ATTRACTIVE

- Available in active, semi-active and inactive configurations
- Truth’s 45.07 Series Handle complements the 40.98 sliding door handle design to produce a family look across product lines.
- With Truth’s entrance into the hinged door hardware market you are now able to offer matching finishes for all your window and patio door offerings.
- Truth also offers optional longer spindle and mounting screw kits for thicker doors.

ATTENTION TO DETAIL

- Industry standard 92 mm spacing between the handle and the thumbturn helps makes this system easy to install.
- Durable handle return spring prevents handle sash sag over time.



MATERIAL

Manufactured forged brass for plated and PVD finishes and cast zinc for painted finishes. Decorative finishes over brass include: Antique Brass, PVD Brass, PVD Brushed Chrome, PVD Chrome, PVD Bronze, and PVD Nickel. Painted options over zinc include; White, Beige, Faux Bronze and Black.

WARRANTY

Protected under the terms of the Truth Warranty for Window and Door Manufacturers and Authorized Distributors. Refer to Truth’s Terms and Conditions for further details.

ORDERING INFORMATION

To order the appropriate active, semi-active or inactive handles for your door refer to the following drawings. Should you require any additional application support – please contact Truth’s Application Specialists directly.

TRUTH TIPS

1. For easy correction of out of square or racked door installations, the use of Truth Jamb Jack frame

adjusters are recommended. Frame adjustment can improve weatherseal tightness and door operation over the life of the door.

2. Solid shims are recommended behind jamb at all strike plate locations.
3. See Tech Notes for information dealing with the care of plated decorative finishes.

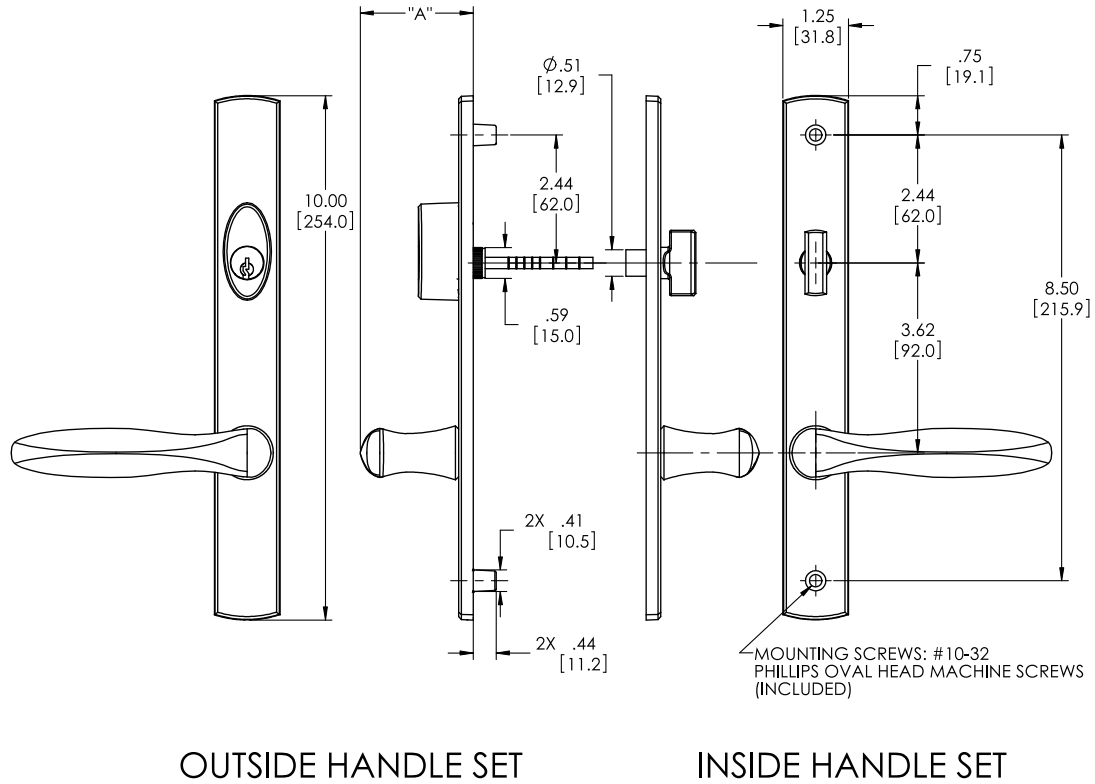
MULTI-POINT HARDWARE HANDLE SET SPECIFICATIONS

Multi-Point Hinged Patio Door Locking System for exterior or entrance doors, which provides high security and easy operation. Multi-Point Hinged Patio Door Handle Set shall have 90 degree thumbturn located above the handle and feature 92 mm spacing between the handle and the thumbturn.

Door hardware shall be Sentry™ Multi-Point Hinged Patio Door Hardware System manufactured by Truth Hardware.

SENTRY™ MULTI-POINT HINGED PATIO DOOR SYSTEM HANDLE SYSTEM

FIG. 1 SENTRY HINGED PATIO DOOR HANDLE SET, ACTIVE



Part Number	A
45.01.XX.101	2.26 [57.4]
45.02.XX.101	2.45 [62.2]
45.03.XX.101	2.05 [52.1]
45.07.XX.101	2.16 [54.7]
45.08.XX.101	2.33 [59.2]

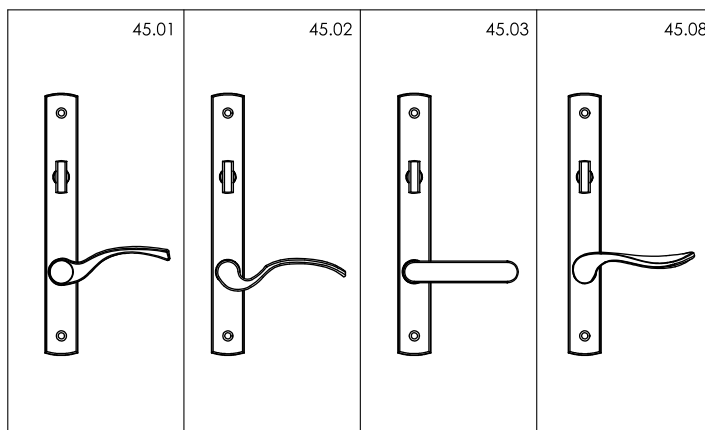


FIG. 2 SENTRY HINGED PATIO DOOR HANDLE SET, SEMI-ACTIVE

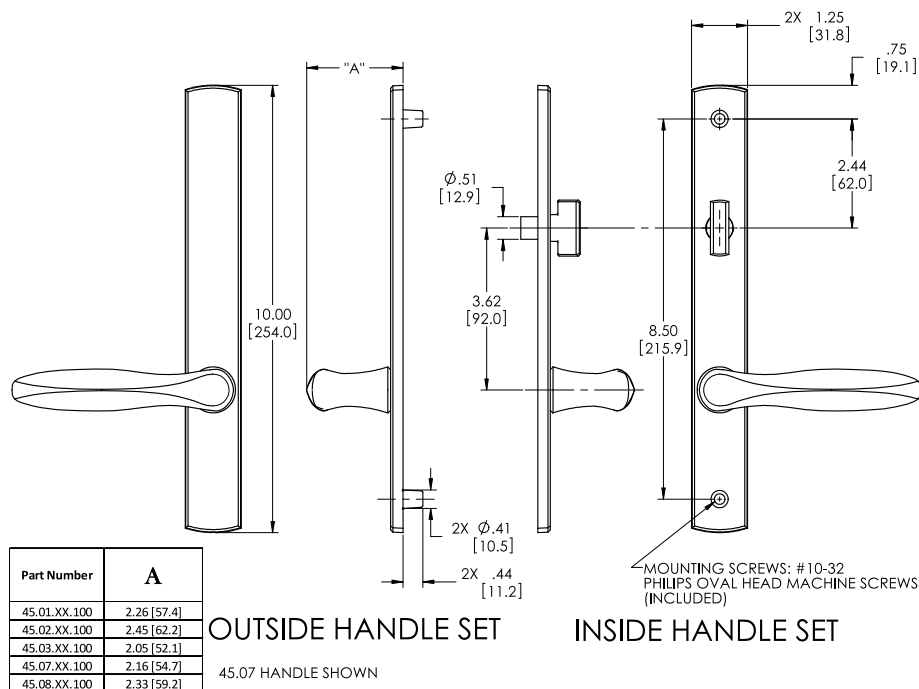
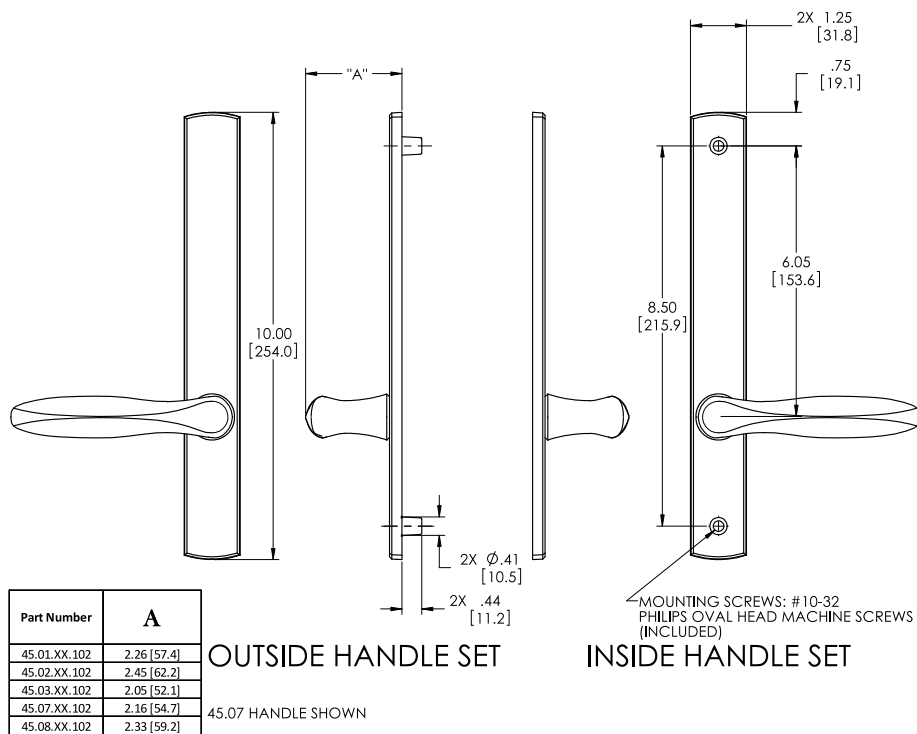


FIG. 3 SENTRY HINGED PATIO DOOR HANDLE SET, INACTIVE



SENTRY™ MULTI-POINT HINGED PATIO DOOR SYSTEM HANDLE SYSTEM

FIG. 4 SENTRY HINGED PATIO DOOR HANDLE SET, ACTIVE ASSEMBLY

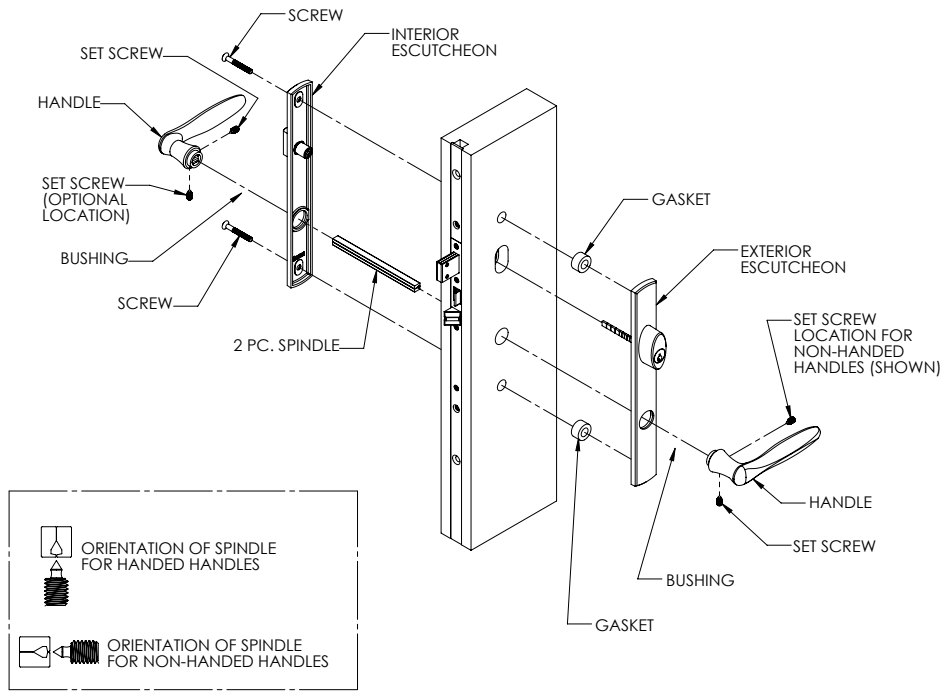


FIG. 5 SENTRY HINGED PATIO DOOR HANDLE SET, ACTIVE DOOR PREPARATION

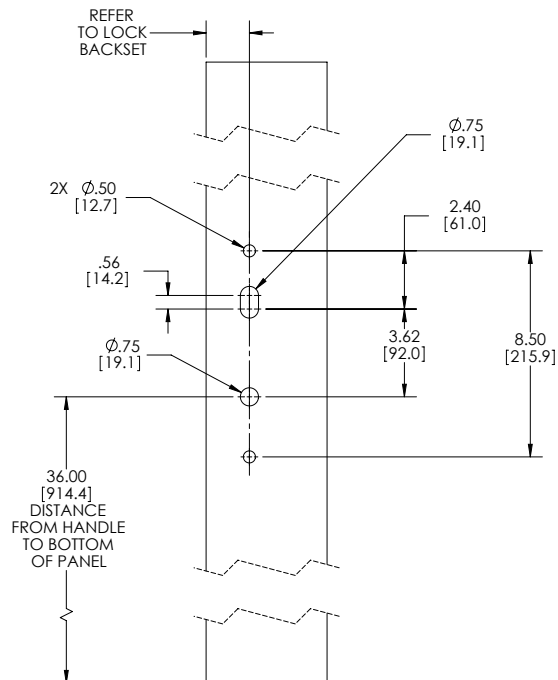


FIG. 6 SENTRY HINGED PATIO DOOR HANDLE SET, SEMI-ACTIVE ASSEMBLY

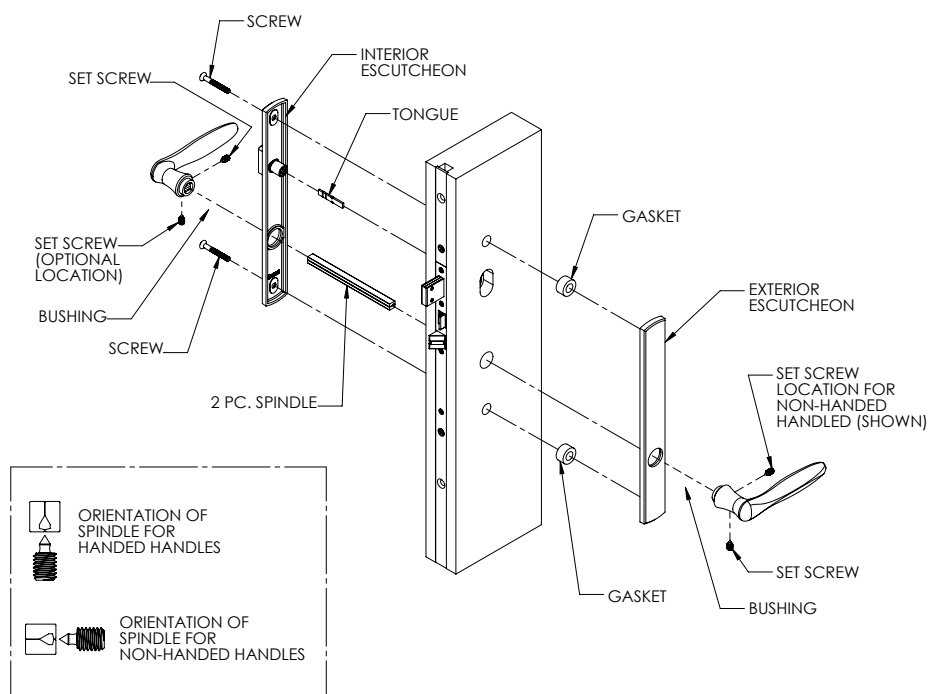
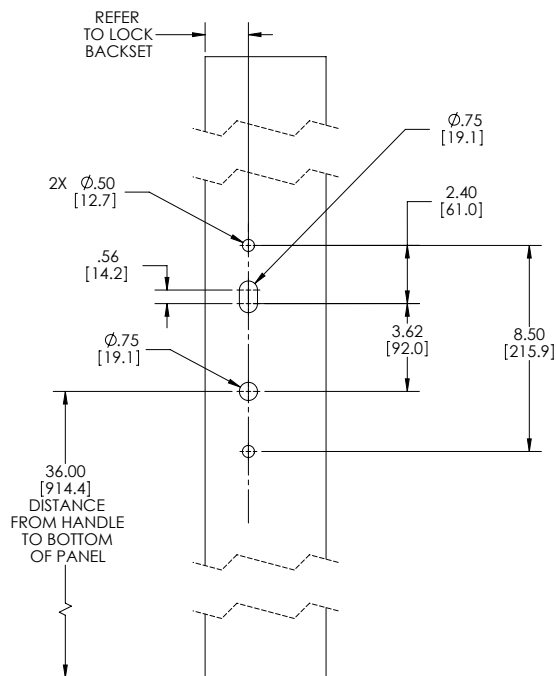


FIG. 7 SENTRY HINGED PATIO DOOR HANDLE SET, SEMI-ACTIVE DOOR PREPARATION



SENTRY™ MULTI-POINT HINGED PATIO DOOR SYSTEM HANDLE SYSTEM

FIG. 8 SENTRY HINGED PATIO DOOR HANDLE SET, PASSIVE ASSEMBLY

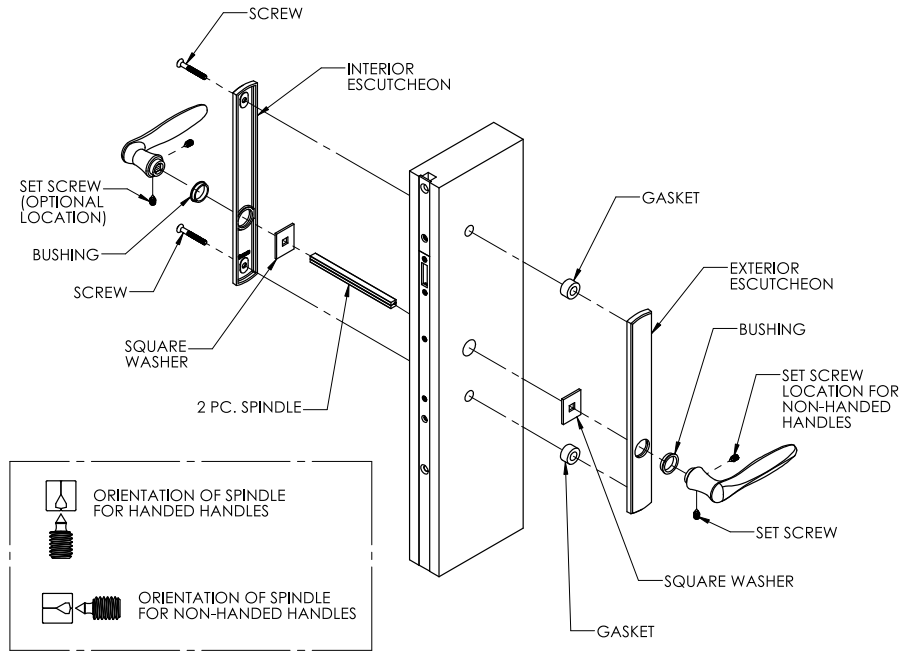


FIG. 9 SENTRY HINGED PATIO DOOR HANDLE SET, PASSIVE DOOR PREPARATION

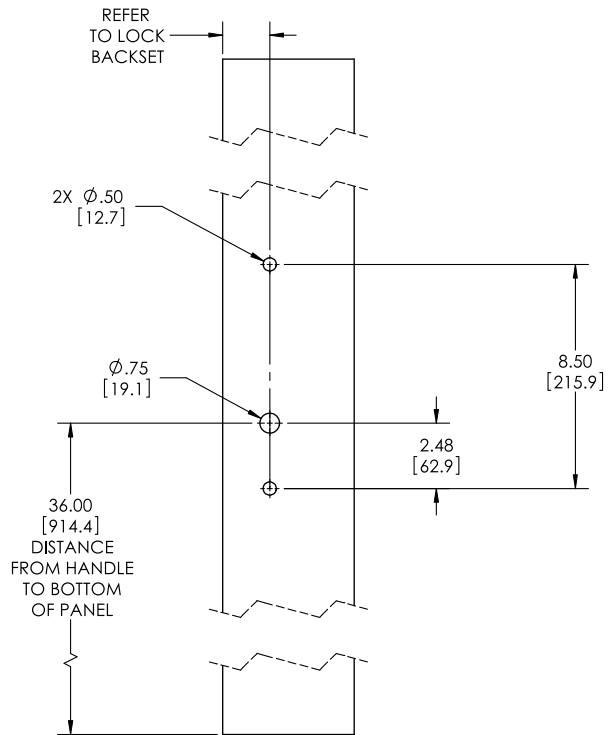
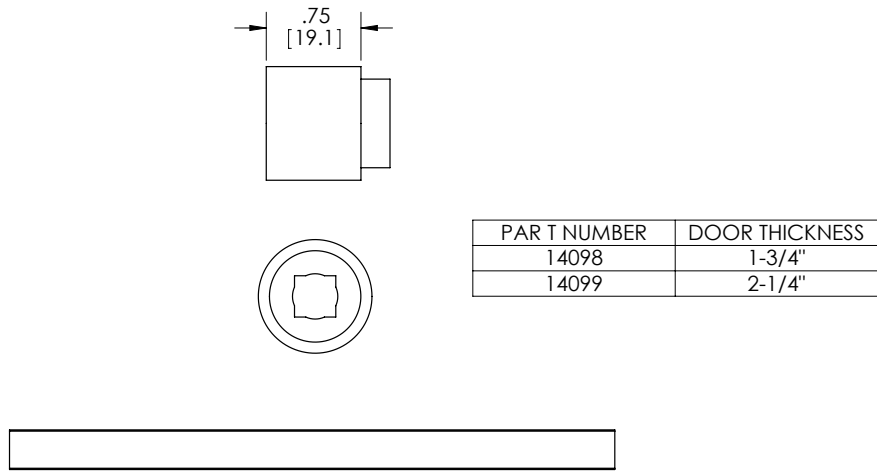
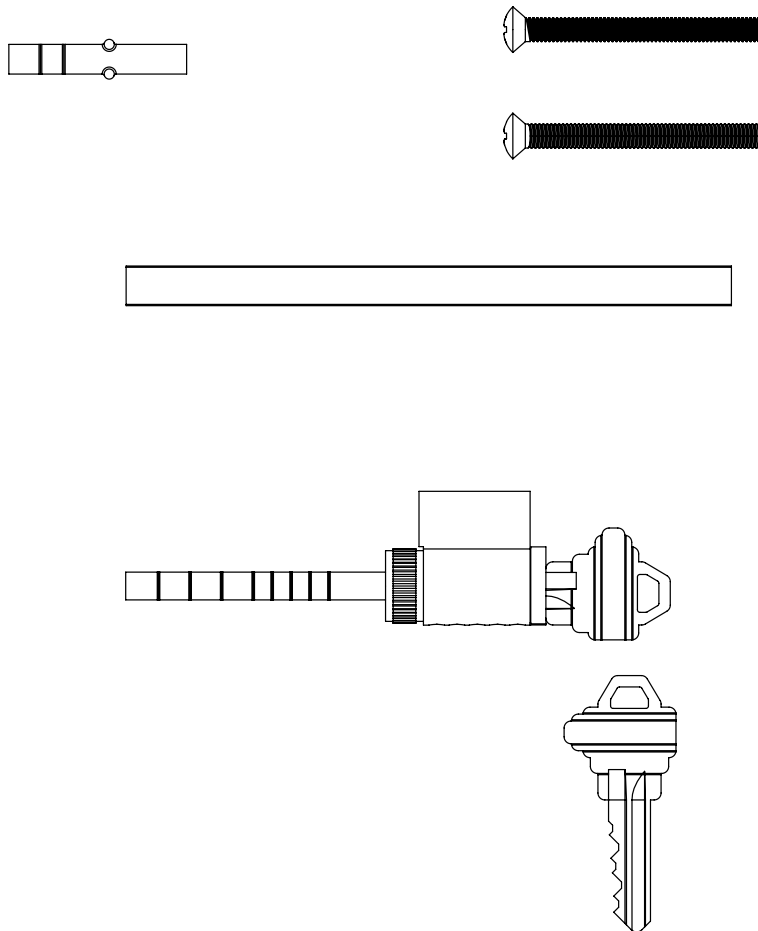


FIG. 10 SENTRY HINGED PATIO DOOR HANDLE EXTENSION KIT



**FIG. 11 SENTRY HINGED PATIO DOOR
14101 2 1/4" DOOR CONVERSION KIT**



**SENTRY™ MULTI-POINT
HINGED PATIO DOOR
SYSTEM HANDLE SYSTEM**



Truth Hardware's Adjustable Hinges are part of our exciting new Sentry Multi-Point Hinged Patio Door System offering. Engineered to provide maximum strength and security, the Sentry Hinges also provide both vertical and horizontal adjustment to create that perfect fit for your door.

STRONG

- The Sentry Adjustable hinges exceed ANSI grade 3 requirements by achieving 350,000 cycles on panel weights up to 220 lbs.
- These hinges also exceed ANSI grade 1 impact specifications.
- Extruded brass and extruded aluminum substrates provide superior strength and excellent corrosion resistance.

BEAUTIFUL

- Available with painted finishes over aluminum or decorative finishes over brass, including PVD.
- Truth Hardware provides matching finishes on the hinges to complement the look on all strike plates and handle sets.

SMART

- The 4" x 4" standard foot print with 5/8" corner radius fits a single pass routing pattern for easy installation.

SIMPLE

Install and adjust with no guessing, no accidental splitting, and no headaches.

- Large hex-head screws and intuitive indicators on Guide and Set Hinges allow for accurate vertical and horizontal adjustments using the same size hex-wrench.
 - o Guide Hinge – Horizontal adjustment of +/- .08 in. (+/- 2 mm)
 - o Set Hinge – Vertical adjustment of +/- .12 in. (+/- 3 mm)
- Set and Guide Hinges work in concert with one another allowing vertical and horizontal adjustments to occur.

- Mounting screw holes are located away from the panel edge to prevent splitting during installation.

SECURE

- Non-removable pins prevent tampering on out-swinging doors, providing maximum security for your customers.

SILENT

- Composite bushings allow for noise-free operation and a longer cycle life.

MATERIAL & FINISHES

Manufactured of extruded brass or aluminum for superior strength and excellent corrosion resistance. Decorative finishes over brass include: Antique Brass, PVD Brass, PVD Brushed Chrome, PVD Chrome, PVD Bronze, and PVD Nickel. Painted options over aluminum include; White, Beige, Faux Bronze and Black.

WARRANTY

Protected under the terms of the Truth Warranty for Window and Door Manufacturers and Authorized Distributors. Refer to Truth's Terms and Conditions for further details.

ORDERING INFORMATION

Order Adjustable Guide & Set Hinges separately and specify finish at time of ordering. 48.01.XX.100 Guide Hinge (LH)

48.01.XX.101 Guide Hinge (RH)

48.02.XX.100 Set Hinge (LH)

48.02.XX.101 Set Hinge (RH)

For multiple door sizes, see table below for recommended hinge requirements.

Should you require any additional application support – please contact Truth's Application Specialists directly.



TRUTH TIPS

1. For easy correction of out of square or racked door installations, the use of Truth Jamb Jack frame adjusters are recommended. Frame adjustment can improve weatherseal tightness and door operation over the life of the door.
2. See Tech Notes for information dealing with the care of plated decorative finishes.

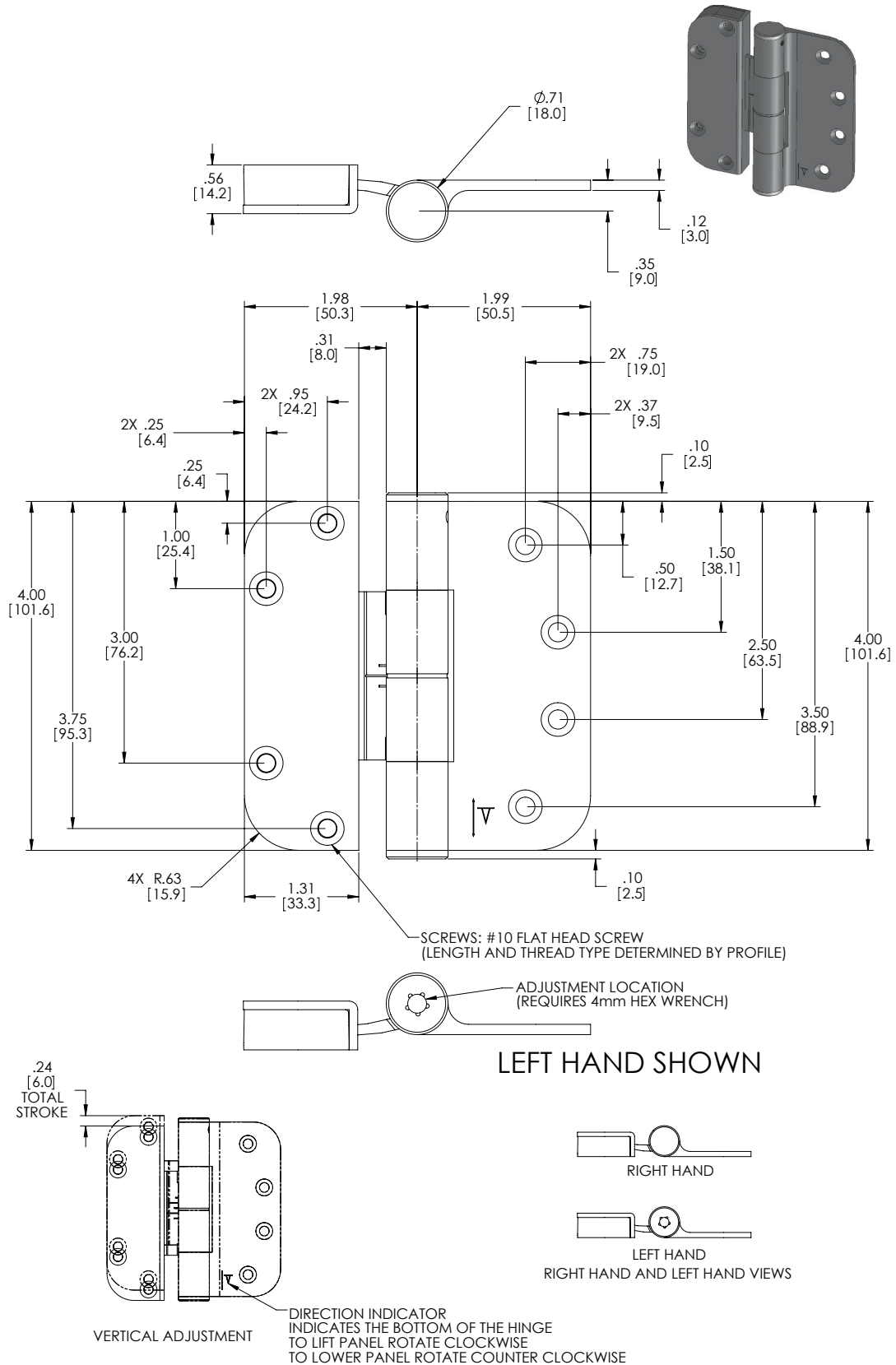
**ADJUSTABLE HINGE
HARDWARE SPECIFICATIONS**

Adjustable Hinge Hardware for hinged patio doors which provide easy, intuitive adjustability and security. Adjustable Hinges shall allow for vertical and horizontal adjustment with non-removable pins to prevent tampering in out-swinging doors.

Adjustable Hinges shall be Sentry™ Adjustable Hinges manufactured by Truth Hardware.

# of Hinges	3	4	4	5
Door Panel Wt.	0-220 lbs	0-220 lbs	220-350 lbs	220-350 lbs
Top to Bottom Hinge Order	Guide	Guide	Guide	Guide
	Set	Guide	Set	Guide
	Guide	Set	Set	Set
		Guide	Guide	Set
				Guide

**FIG. 2 SENTRY HINGED PATIO DOOR ADJUSTABLE HINGES
48.02 VERTICAL SET HINGE**



SENTRY™ ADJUSTABLE HINGES

FIG. 3 SENTRY HINGED PATIO DOOR ADJUSTABLE HINGES
JAMB PREPARATION

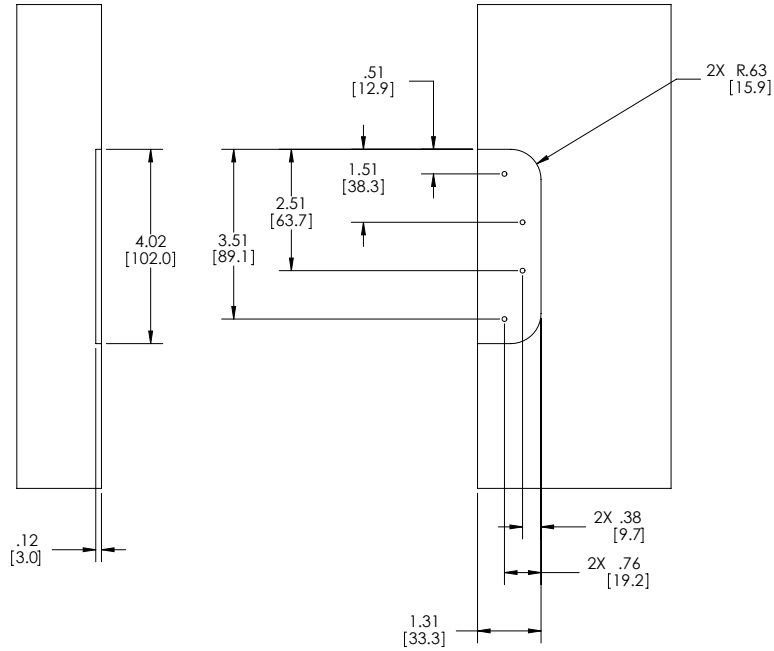
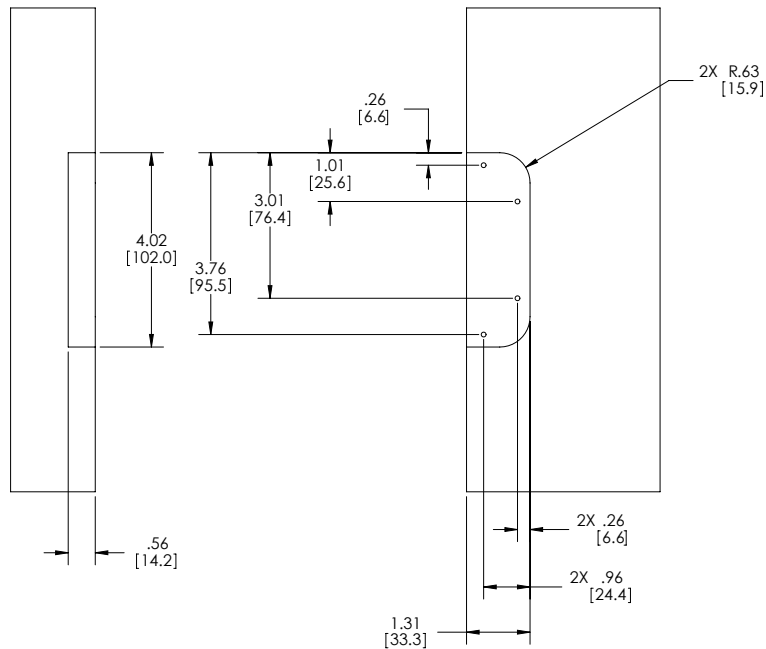
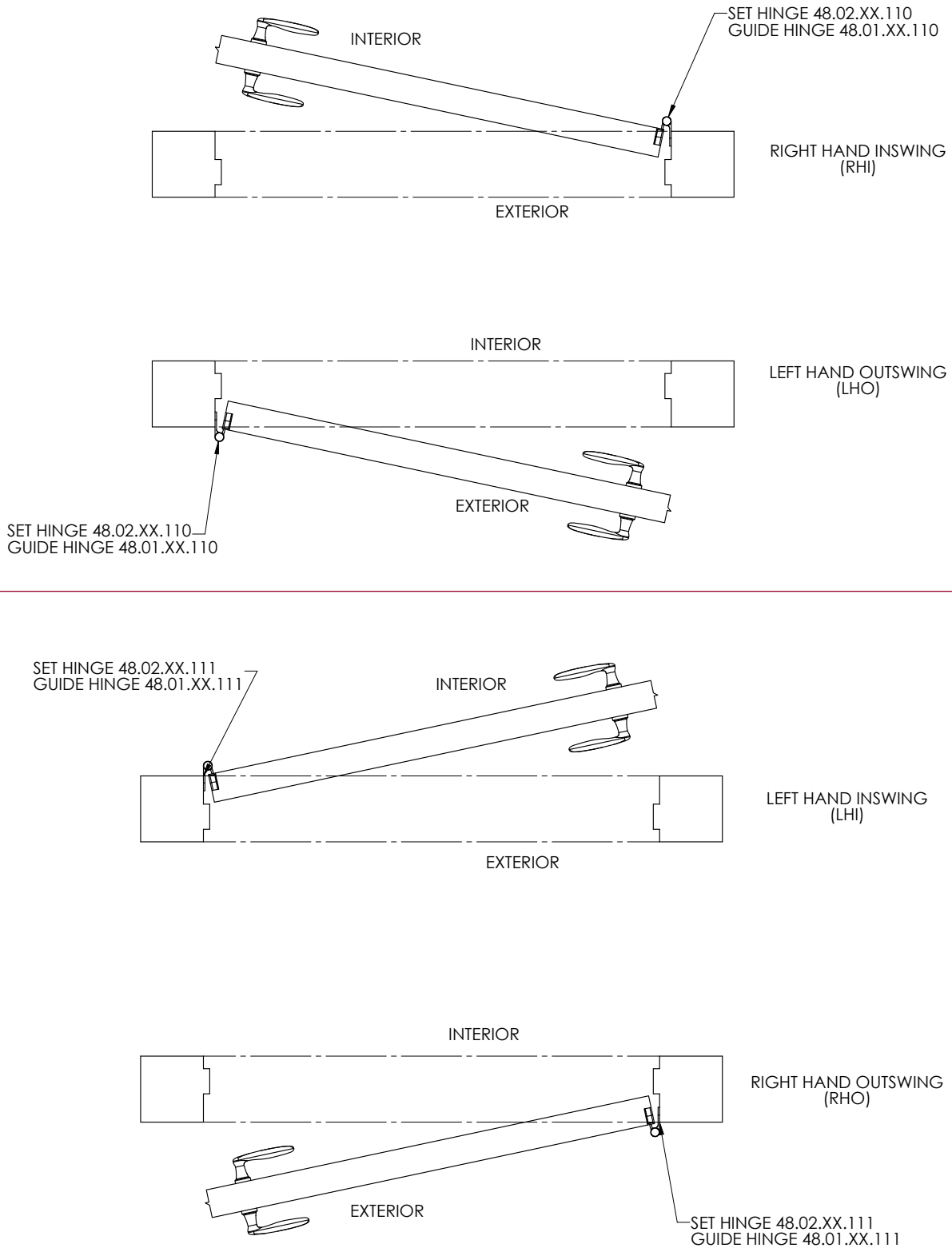


FIG. 4 SENTRY HINGED PATIO DOOR ADJUSTABLE HINGES
DOOR PANEL PREPARATION



**FIG. 5 SENTRY HINGED PATIO DOOR ADJUSTABLE HINGES
DOOR ORIENTATION**

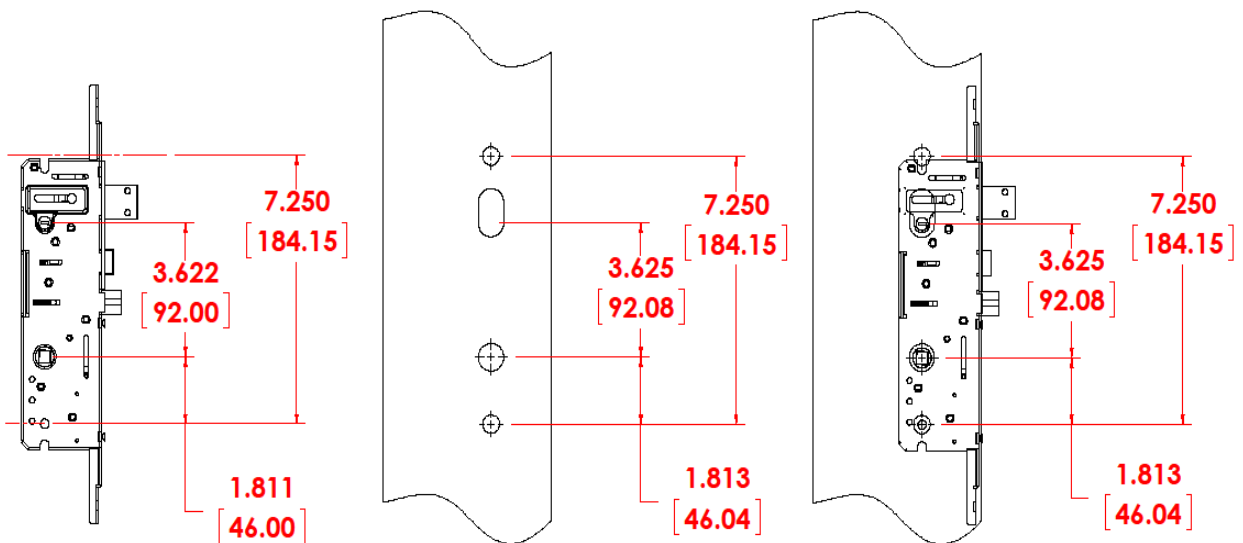


**SENTRY™ ADJUSTABLE
HINGES**

MOUNTING COMPATIBILITY

TRUTH HARDWARE'S SENTRY SYSTEM MULTI-POINT LOCKING SYSTEM

COMPATIBLE WITH EMTEK & BALDWIN HANDLE SETS



**TRUTH CENTER LOCK CASSETTE
EMTEK #4 AND BALDWIN #6
MOUNTING LOCATIONS**

**TRUTH CENTER LOCK CASSETTE
EMTEK #4 AND BALDWIN #6
BORING LOCATIONS**

The market driven solution for operable sidelites – Truth Hardware’s Sentry® Multi-Point Sidelite Hardware is the perfect complement to Truth’s family of Sentry Patio Door products.

FLEXIBLE

The Sentry Sidelite Multi-Point Locking System can be customized into 3 point tongue or hook versions. Featuring modular design, this system easily accommodates different door sizes.

RELIABLE

Positive detent prevents handle sag over time, while corrosion resistant 300 series SST faceplate ensures the good looks and performance of the product for years to come.

SMOOTH ERGONOMIC OPERATION

Truth’s operable sidelite hardware combines a convenient center latch with an ergonomic easy to operate handle. Operating the handle down by 90 degrees retracts all lock points while providing an easy to grip handle for opening and closing the panel. Releasing the handle allows for the center latch to reset providing automatic latching upon closure of the panel, this feature retains the panel against the weather strip to allow for easy engagement of the remote lock points.

VISUALLY INTUITIVE

The Sentry Sidelite System provides a visually intuitive indicator of the locked and unlocked status of the sidelite panel as shown below. When the handle is released after opening it will automatically return to the latched position. To engage the remote lock points, simply rotate the handle to the locked position.



INSTALLATION FRIENDLY

The center latch can be reversed with the hardware already installed in the sidelite. Truth’s Sentry Sidelite System is available with 16 and 20 mm faceplates to fit standard eurogrooves.

MATERIAL

300 series stainless steel.

WARRANTY

Protected under the terms of the Truth Warranty for Window and Door Manufacturers and Authorized Distributors. Refer to Truth’s Terms and Conditions for further details.

ORDERING INFORMATION

Because of the variety of operable sidelite panel designs on the market, Truth Hardware suggests that you contact Truth’s Application Specialist

Department to help you identify the components that will best meet your requirements. To assist us in helping you identify the product that you need, please be prepared to provide Truth with the type and style of profile that you are mounting your hardware to.

TRUTH TIPS

1. For easy correction of out of square or racked door installations, the use of Truth Jamb Jack frame adjusters are recommended. Frame adjustment can improve weatherseal tightness and door operation over the life of the door.
2. For vinyl applications, mounting screws should pass through two PVC walls or one PVC wall and one insert wall. For this reason, it may be necessary to use a longer screw than is recommended.
3. Solid shims are recommended behind jamb at all strike plate locations.
4. See Tech Notes for information dealing with care of plated decorative finishes.



Engaged Locking Points



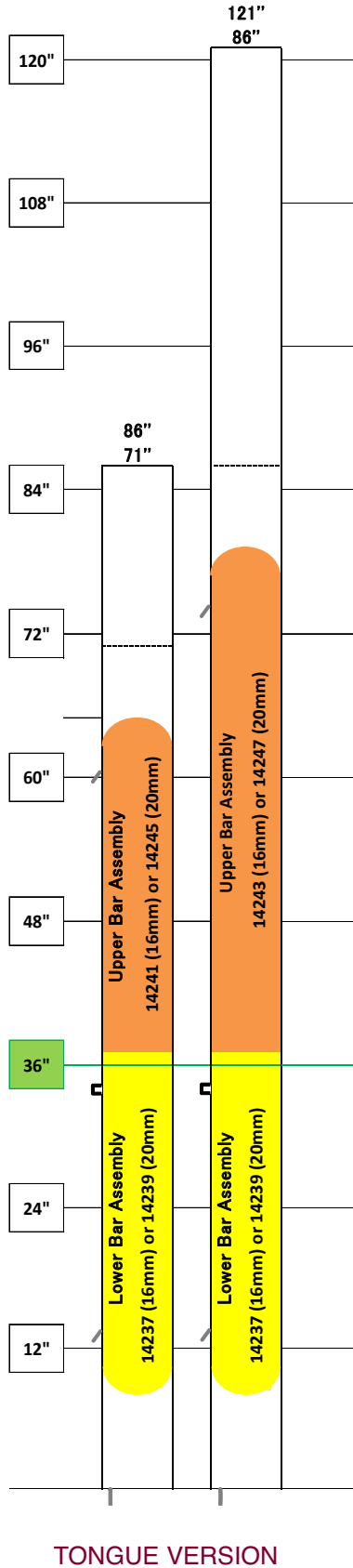
Unlatched and Unlocked



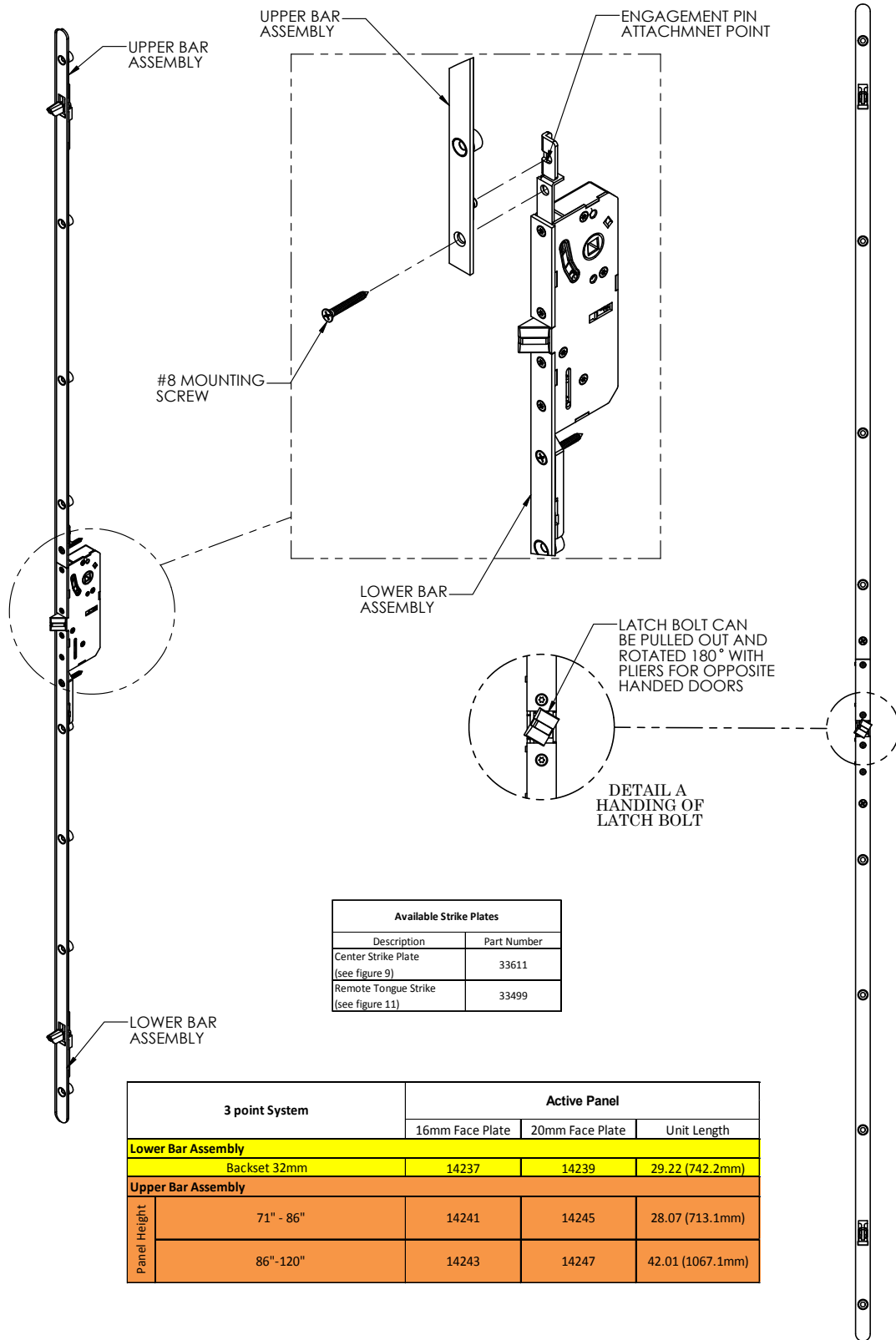
Latched and Unlocked

SENTRY® MULTI-POINT LOCKING HARDWARE FOR SIDELITES

FIG. 1 SENTRY SIDELITE LOCKS
3 POINT TONGUE CONFIGURATION MATRIX



**FIG. 2 SENTRY SIDELITE LOCKS
3 POINT TONGUE ASSEMBLIES FOR PANESL 71 INCHES TO 121 INCHES**

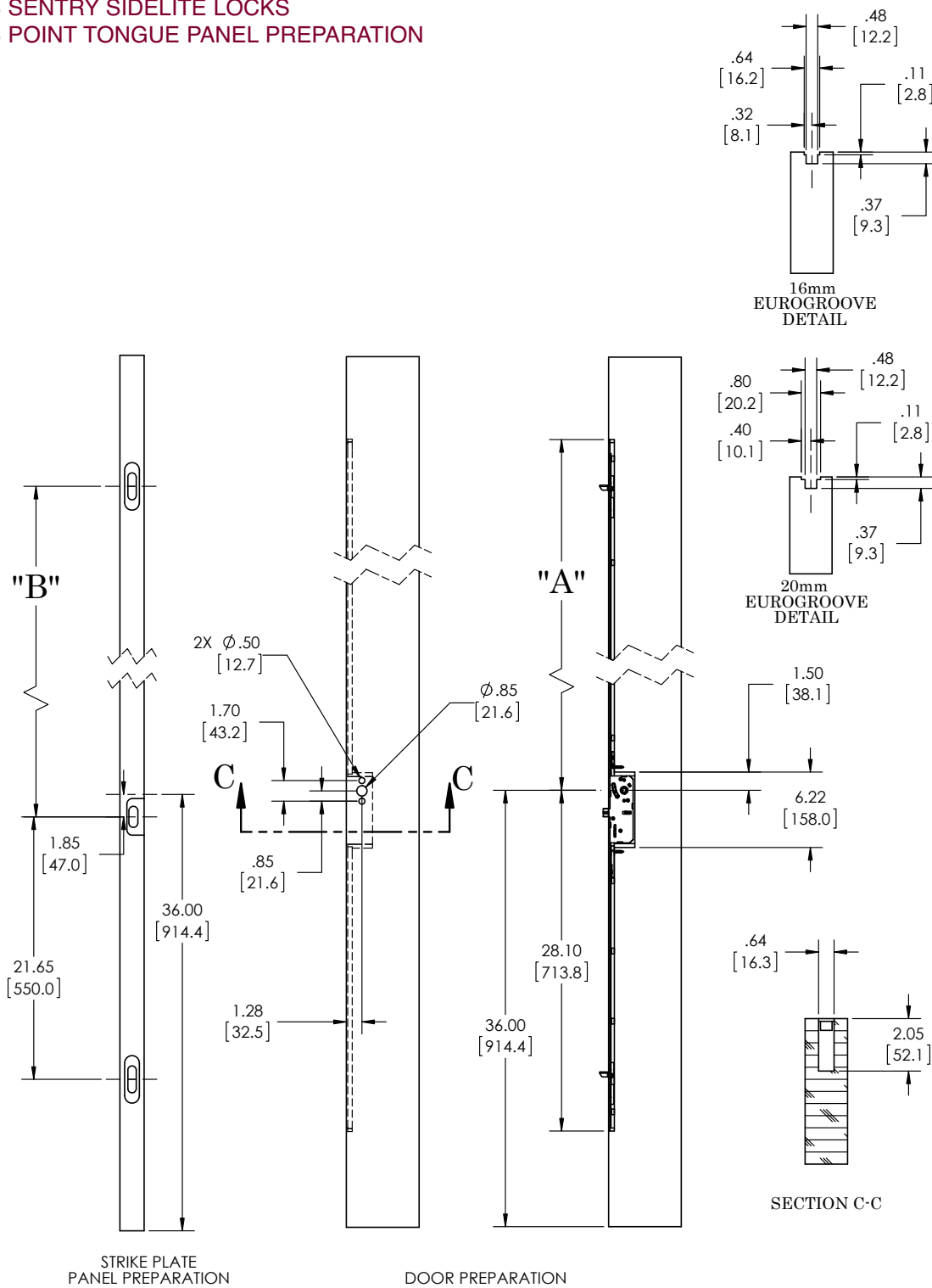


Available Strike Plates	
Description	Part Number
Center Strike Plate (see figure 9)	33611
Remote Tongue Strike (see figure 11)	33499

	3 point System	Active Panel		
		16mm Face Plate	20mm Face Plate	Unit Length
Lower Bar Assembly				
	Backset 32mm	14237	14239	29.22 (742.2mm)
Upper Bar Assembly				
Panel Height	71" - 86"	14241	14245	28.07 (713.1mm)
	86"-120"	14243	14247	42.01 (1067.1mm)

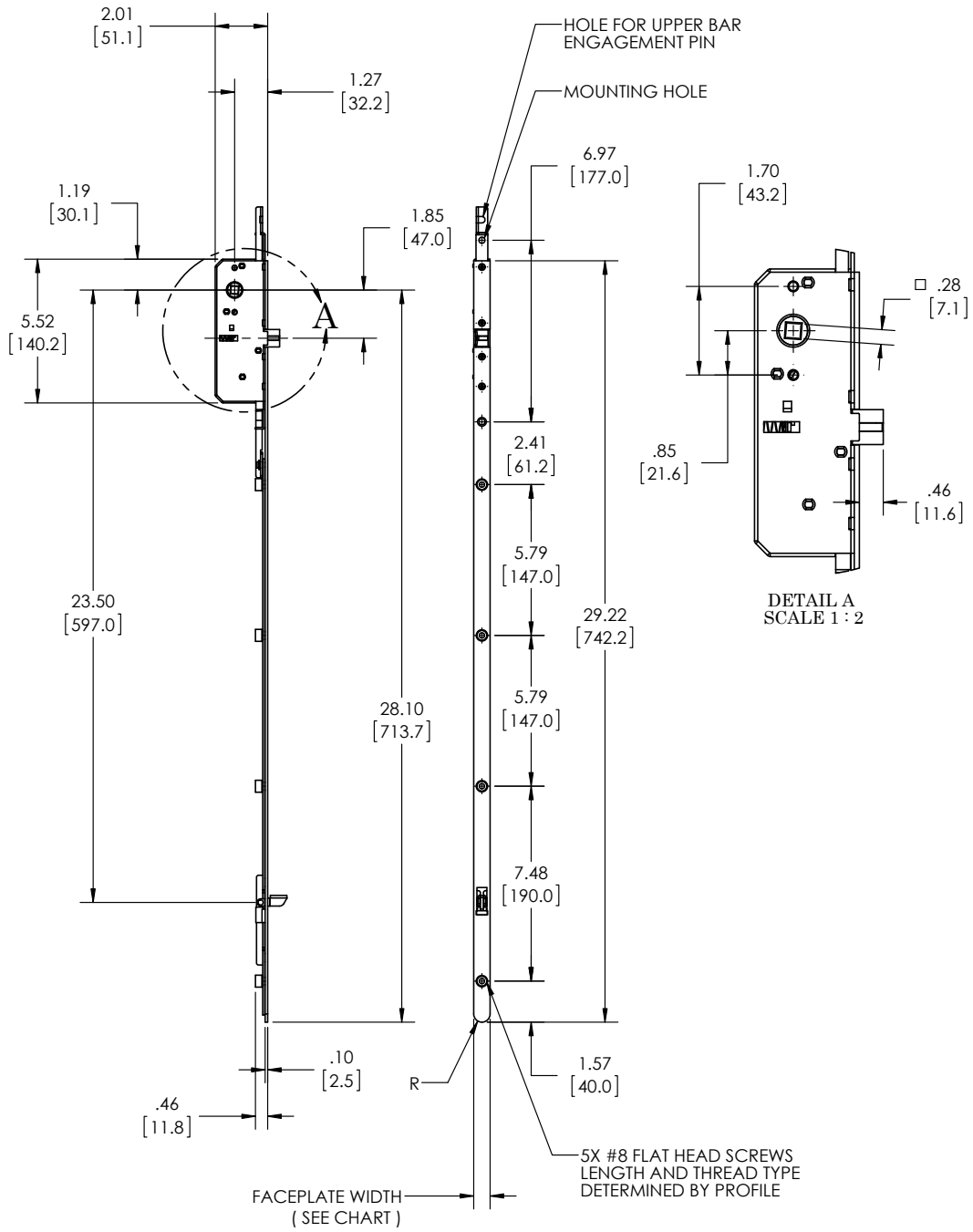
SENTRY® MULTI-POINT LOCKING HARDWARE FOR SIDELITES

FIG. 3 SENTRY SIDELITE LOCKS
3 POINT TONGUE PANEL PREPARATION



Panel Height	A	B
	Upper Tongue Rout	Upper Strike Location
71" - 86"	25.19 (639.7)	27.04 (686.7)
86" - 121"	39.12 (993.7)	40.97 (1040.7)

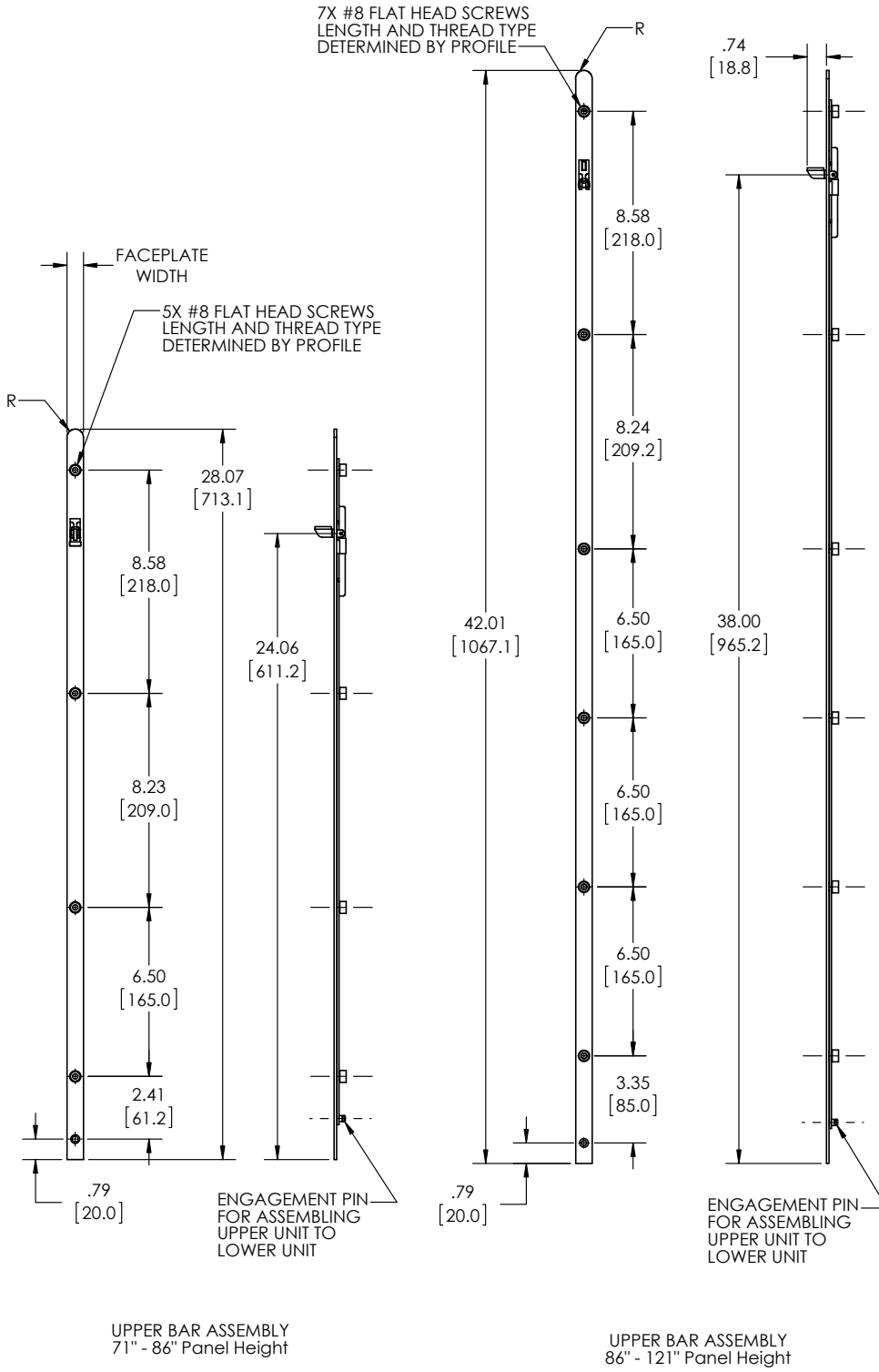
**FIG. 4 SENTRY SIDELITES LOCKS
3 POINT TONGUE LOWER BAR ASSEMBLY**



Tongue Lower Bar Assembly	
16mm Face Plate	20mm Face Plate
14237	14239

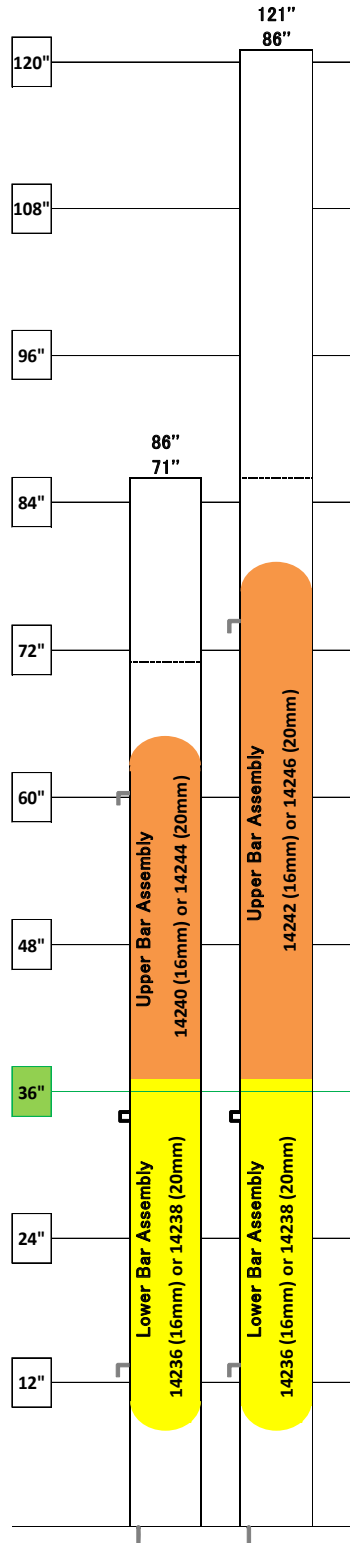
SENTRY® MULTI-POINT LOCKING HARDWARE FOR SIDELITES

FIG. 5 SENTRY SIDELITE LOCKS
3 POINT TONGUE UPPER BAR ASSEMBLY



Tongue Upper Bar Assembly		
Panel Height	16mm Face Plate	20mm Face Plate
71" - 86"	14241	14245
86" - 121"	14243	14247

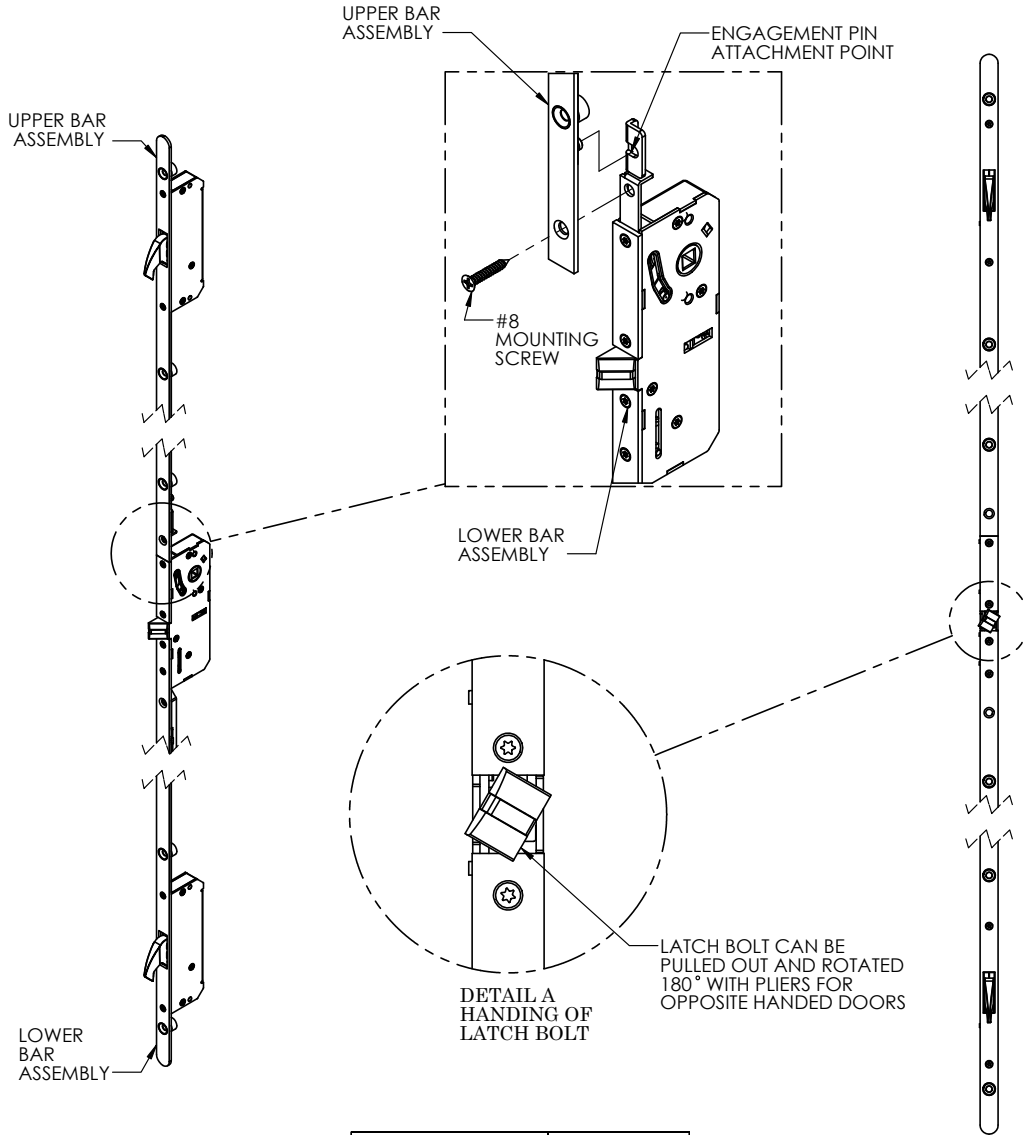
**FIG. 6 SENTRY SIDELITE LOCKS
3 POINT HOOK CONFIGURATION MATRIX**



HOOK VERSION

SENTRY® MULTI-POINT LOCKING HARDWARE FOR SIDELITES

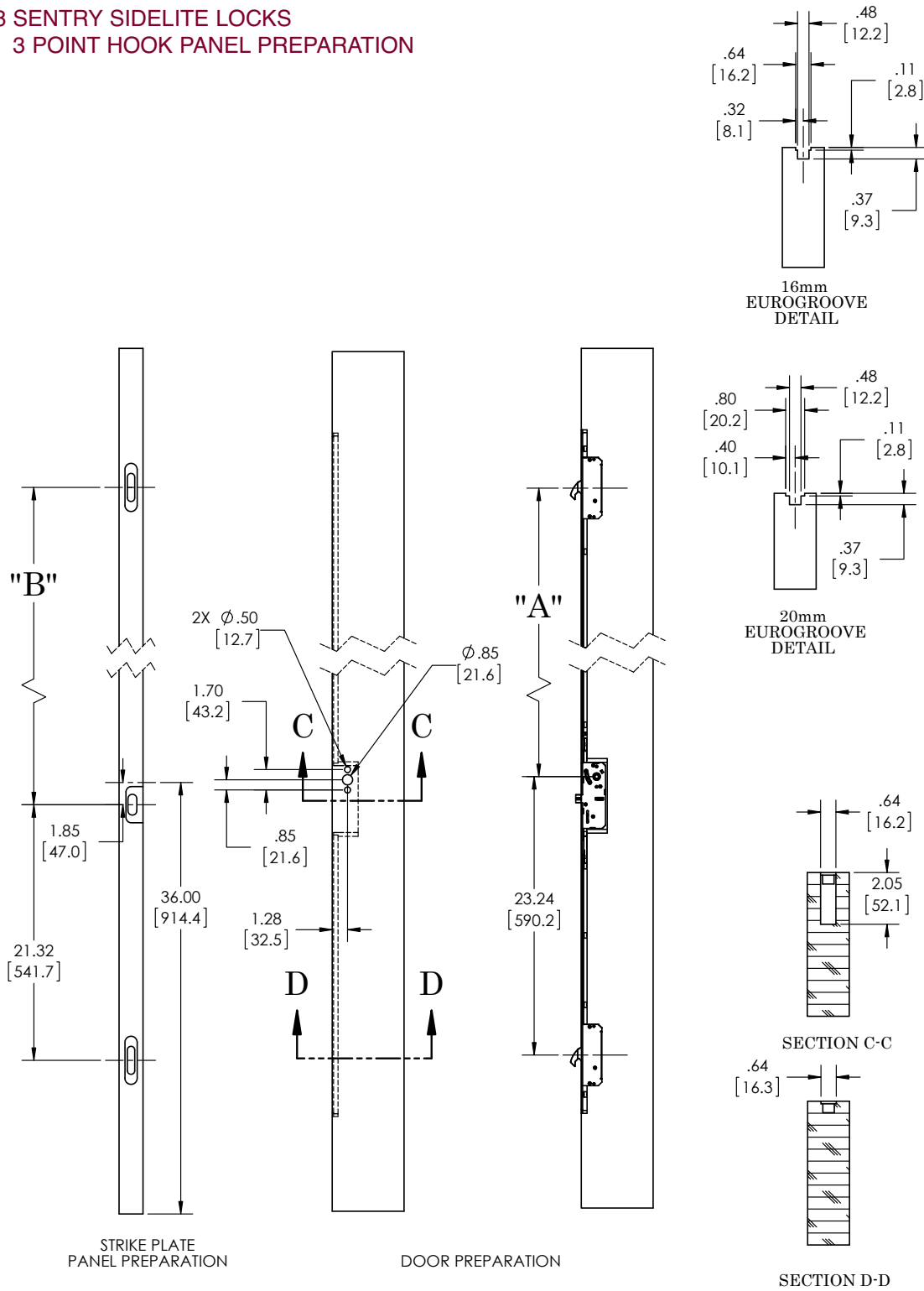
FIG. 7 SENTRY SIDELITE LOCKS
3 POINT HOOK ASSEMBLIES FOR PANELS 71 INCHES TO 121 INCHES



Description	Part Number
Center Strike Plate (see figure 9)	33611
Remote Hook Strike (see figure 13)	33505

3 point System		Active Panel		
		16mm Face Plate	20mm Face Plate	Unit Length
Lower Bar Assembly				
Backset 32mm		14236	14238	29.22 (742.2mm)
Upper Bar Assembly				
Panel Height	71"-86"	14240	14244	28.07 (713.1mm)
	86"-120"	14242	14246	42.01 (1067.1mm)

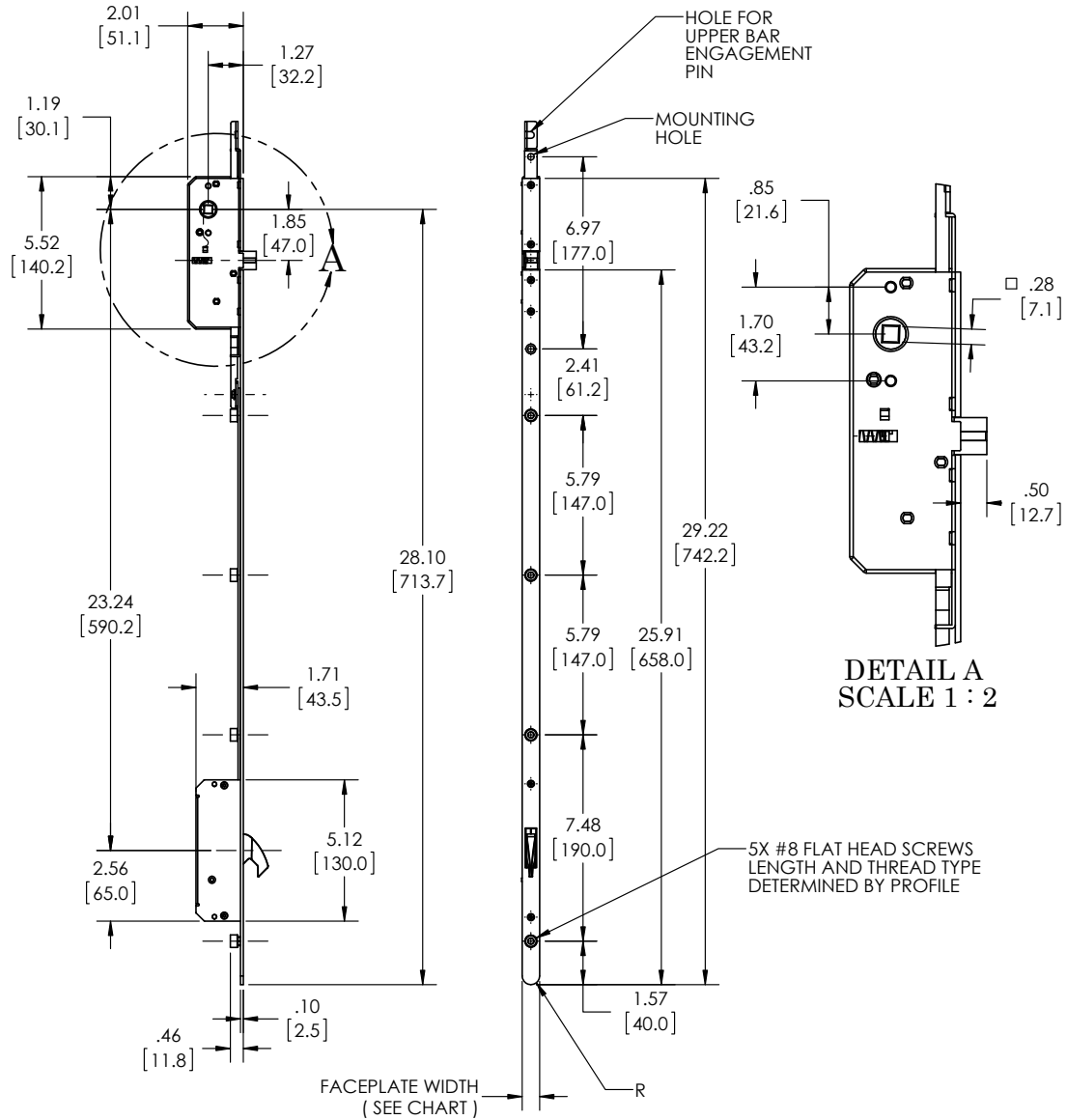
**FIG. 8 SENTRY SIDELITE LOCKS
3 POINT HOOK PANEL PREPARATION**



Panel Height	A	B
	Upper Hook Rout Location	Upper Strike Location
71" - 86"	24.34 (618.2)	26.25 (666.7)
86" - 121"	38.28 (972.2)	40.19 (1020.7)

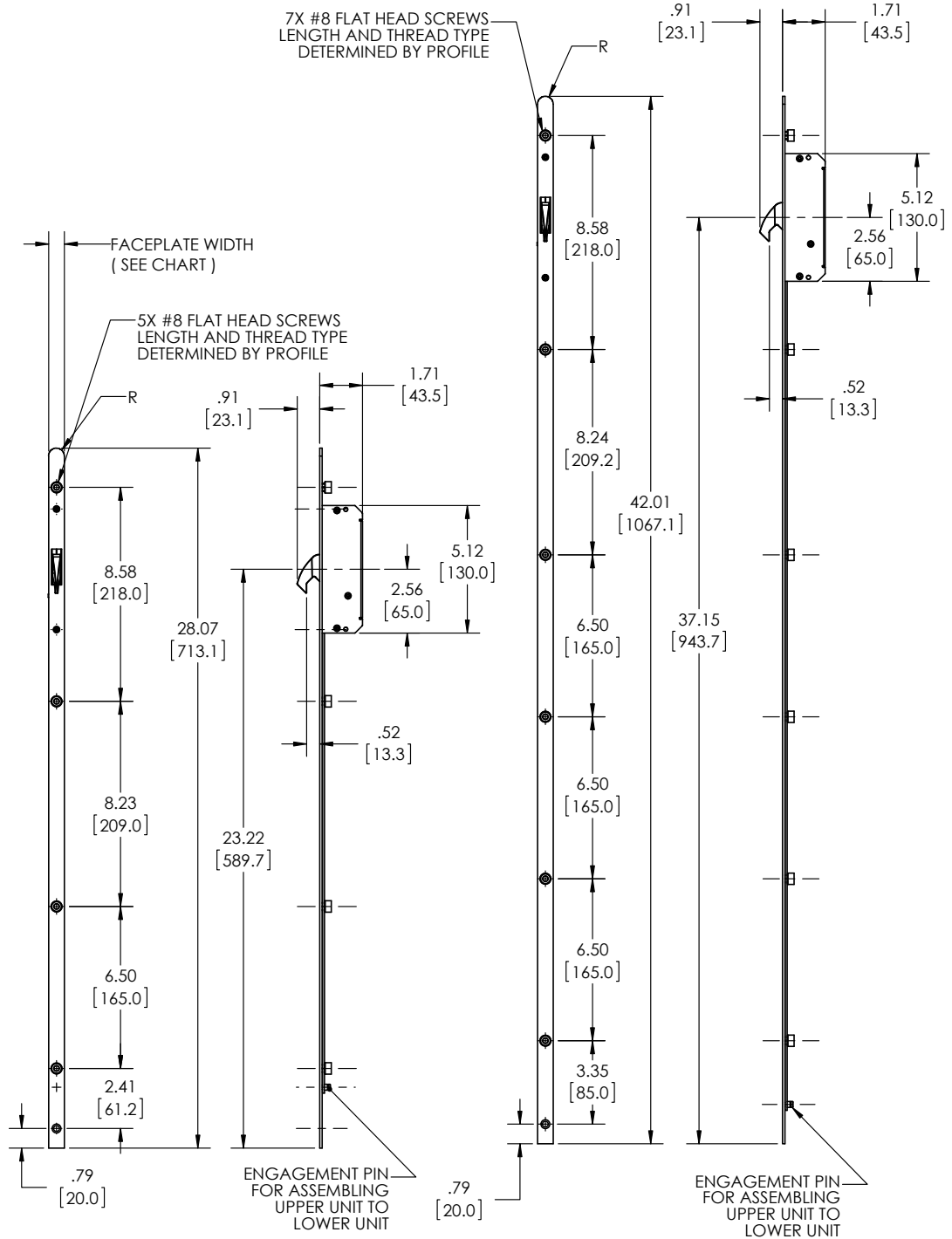
SENTRY® MULTI-POINT LOCKING HARDWARE FOR SIDELITES

FIG. 9 SENTRY SIDELITE LOCKS
3 POINT HOOK LOWER BAR ASSEMBLY



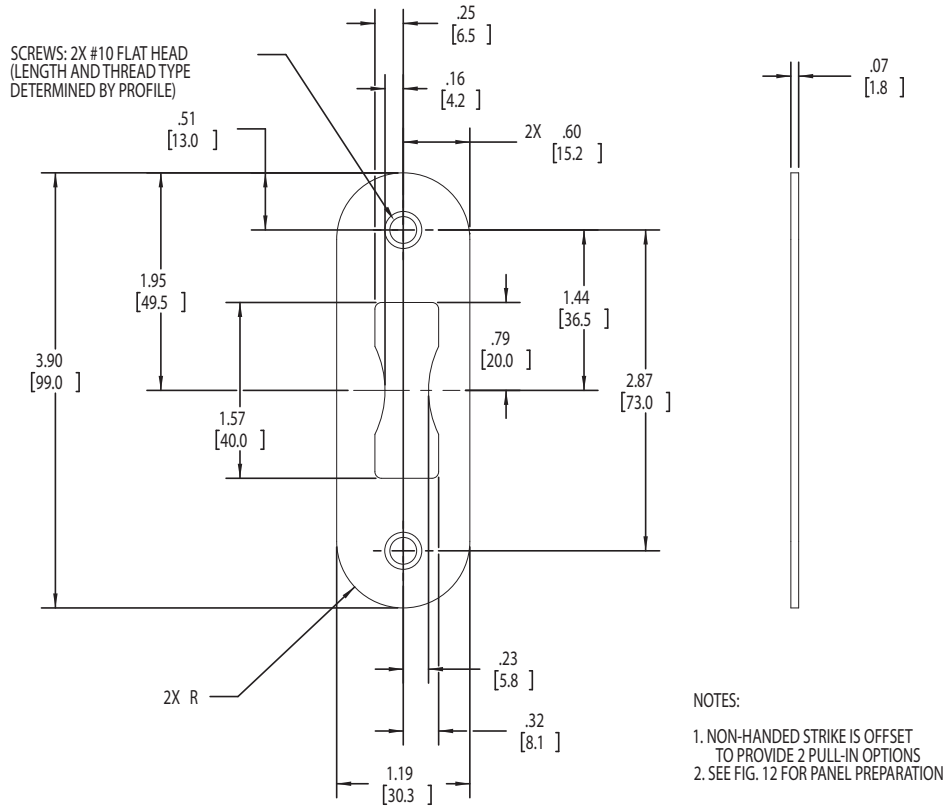
Hook Lower Bar Assembly	
16mm Face Plate	20mm Face Plate
14236	14238

**FIG. 10 SENTRY SIDELITE LOCKS
3 POINT HOOK UPPER BAR ASSEMBLY**



Hook Upper Bar Assembly		
Panel Height	16mm Face Plate	20mm Face Plate
71" - 86"	14240	14244
86" - 121"	14242	14246

**FIG. 13 SENTRY SIDELITE LOCKS
33499 REMOTE TONGUE STRIKE**



**FIG. 14 SENTRY SIDELITE LOCKS
REMOTE TONGUE STRIKE PANEL PREPARATION**

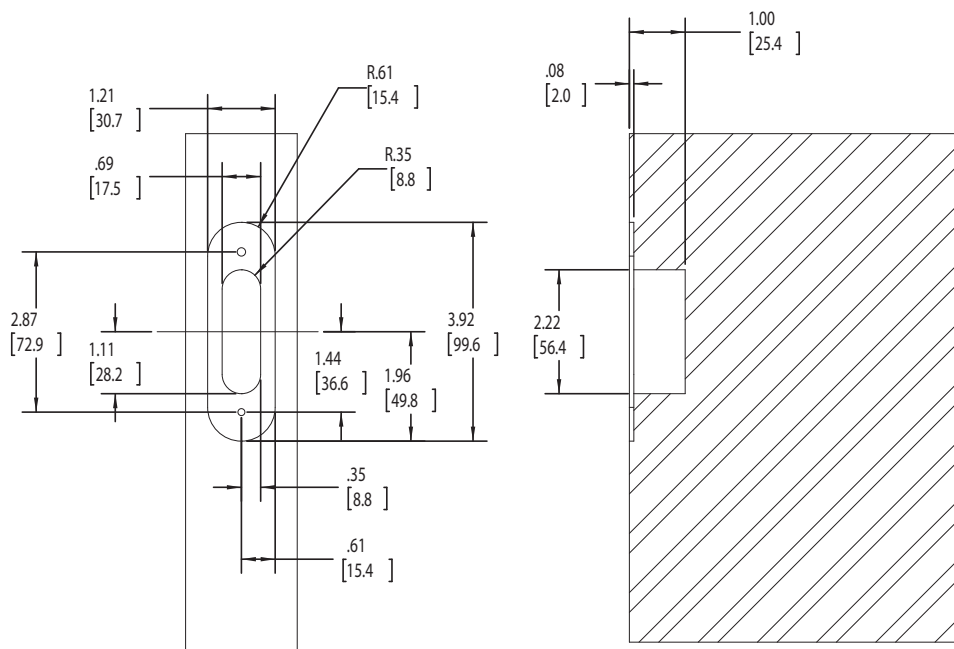
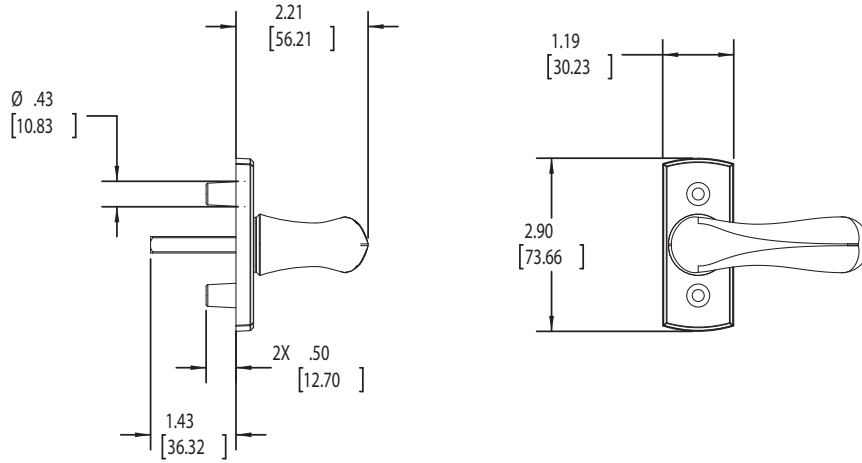
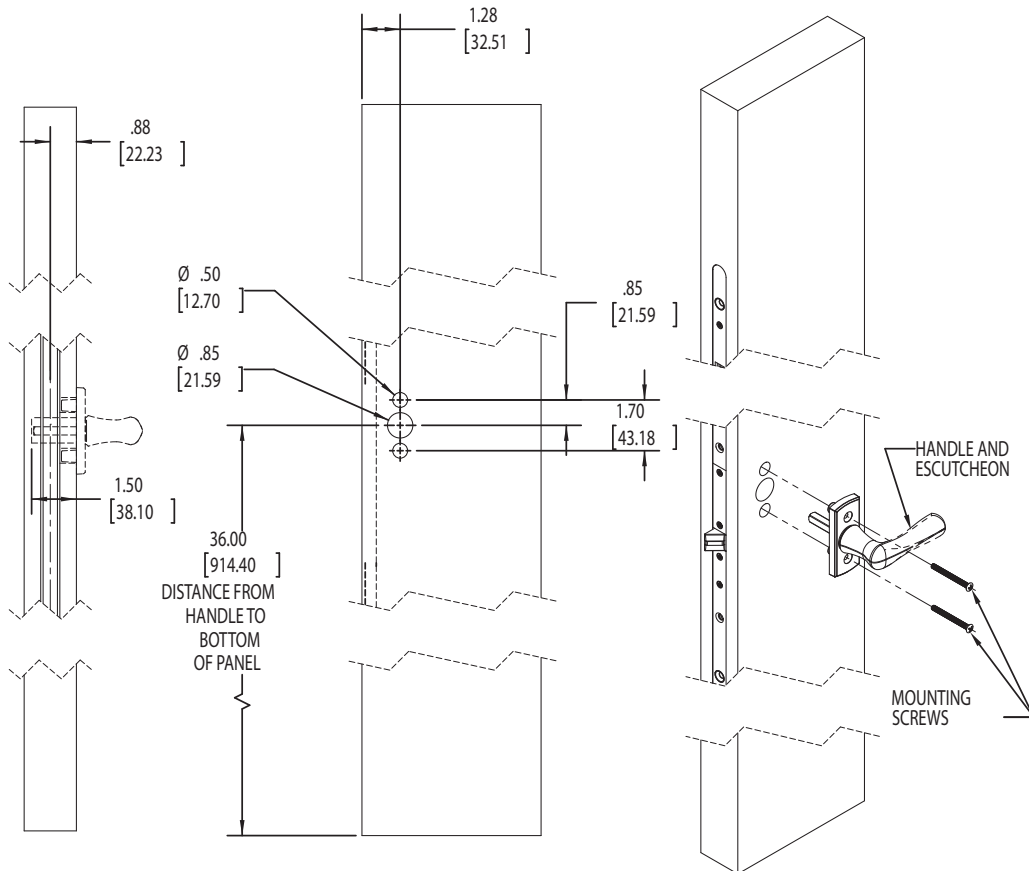


FIG. 17 14207 SENTRY SIDELITE HANDLE



**FIG. 18 SENTRY SIDELITE LOCKS
DOOR PANEL PREPARATION**



**SENTRY® MULTI-POINT
LOCKING HARDWARE
FOR SIDELITES**



700 WEST BRIDGE STREET, OWATONNA, MN 55060 ■ 507.451.5620 800.866.7884 ■ TRUTH.COM